



**BID BULLETIN 01**

**Date:** 28 April 2021  
**Project Title:** Supply, Delivery and Installation of Solar Streetlights (GOODS-21-21)  
**Location:** VSU Main, Visca, Baybay City, Leyte

Bidders are hereby informed/reminded of the following addendums/amendments/clarifications:

**I. LIST OF REQUIREMENTS**

<b>(1st Envelope) TECHNICAL COMPONENT ENVELOPE</b>	
<i>Legal Documents</i>	
1	PhilGEPS Certificate of Registration (Platinum)
	or
	a. Registration Certificate (SEC, DTI or CDA)
	b. Mayor's/Business Permit
	c. Tax Clearance
<i>Technical Documents</i>	
2	Statement of All On-Going Government & Private Contracts
3	Statement of Bidder's Single Largest Completed Contract (at least <b>50%</b> of the ABC or Php <b>4,787,500.00</b> )
	Or
	Statement of at least two (2) similar completed contracts w/ total amount of at least Php <b>4,787,500.00</b> and the largest of which should be at least Php <b>2,393,750.00</b> .
4	Bid Security
5	Technical Specifications
6	SCHEDULE of Requirements/Production and delivery schedule
7	Manpower Requirements
8	After Sales service/parts from acceptance of delivered goods (at least 1 year for equipment)
9	Original Duly Signed Omnibus Sworn Statement
<i>Financial Documents</i>	
10	The Supplier's Audited Financial Statements
11	Net Financial Contracting Capacity (at least <b>PhP 9,575,000.00</b> )
	Or
	Committed Line of Credit (at least Php 957,500.00)
<b>(2<sup>nd</sup> Envelope) FINANCIAL COMPONENT ENVELOPE</b>	
12	Original of duly signed and accomplished Financial Bid Form
13	Original of duly signed and accomplished Price Schedule(s)



**Please take note:**

In the **Technical Specifications**, bidders must state either “Comply” or “Not Comply” **against each of the individual parameters of the specifications** per item stating the corresponding performance parameter of the equipment offered. Statements of “Comply” or “Not Comply” must be supported by evidence in the **Bidders Bid** and cross-referenced to that evidence. Evidence shall be in the form of **manufacturer’s un-amended sales literature (Data Sheets), unconditional statements of specification and compliance issued by the manufacturer, samples, independent test data, and Brand and Model** as appropriate. A statement that is not supported by evidence or is subsequently found to be contradicted by the evidence presented will render the Bid under evaluation liable for rejection. A statement either in the Bidders statement of compliance or the supporting evidence that is found to be false either during Bid evaluation, post-qualification or the execution of the Contract may be regarded as fraudulent and render the Bidder or supplier liable for prosecution subject to the provisions of **ITB** Clause 3.1(a)(ii) and/or **GCC** Clause 2.1 (a)(ii).

**II. Preparation of Electronic Bid (for bidders who prefer electronic bid submission)**

1. Convert all documents into Portable Document Format (PDF) and should be printable.
2. Properly label all documents for prompt identification. Filename of documents, whichever are applicable to the bidder, should be as follows:

<b>Document</b>	<b>Filename (in PDF form)</b>
1. PhilGEPS Certificate of Registration (Platinum)	PhilGEPS
2. Registration Certificate (SEC/DTI)	Registration Certificate
3. Mayor’s/Business Permit	Mayor’s-Business Permit
4. Tax Clearance	Tax Clearance
5. Statement of On-Going Government & Private Contracts	Statement of On-Going Contracts
6. Statement of Bidder’s Single Largest Completed Contract	SLCC
7. Statement of at least two (2) similar completed contracts	Statement of Completed Contracts
8. Bid Security	Bid Security
9. Technical Specifications	Technical Specifications
10. SCHEDULE of Requirements/ Production and delivery schedule	Schedule of Requirements
11. Manpower Requirements	Manpower Requirements
12. After Sales service/parts	After Sales
13. Omnibus Sworn Statement	Omnibus Sworn Statement
14. Audited Financial Statements	Audited Financial Statements
15. Net Financial Contracting Capacity	NFCC
16. Committed Line of Credit	CLC
17. Bid Form	Bid Form
18. Price Schedule	Price Schedule

3. Create two (2) folders that are password-protected. The first folder should contain all requirements under Technical Component checklist as presented under Section VIII.



The second folder should contain all requirements under Financial Component checklist.

4. Compress the two (2) folders and name as follows: a) first folder: **Technical Documents**, b) second folder: **Financial Documents**.
5. Email the 2 compressed folders to Ms. Jessamine C. Ecleo at [jecleo@vsu.edu.ph](mailto:jecleo@vsu.edu.ph) before the deadline.

**III. Changes in the Bidding Documents**

**A.**

Original	Amendment
<p>2. The <i>Visayas State University – Main Campus</i> now invites bids for the above Procurement Project. Delivery of the Goods is required by <i>Sixty (60) calendar days upon receipt of Notice to Proceed (NTP)</i>. Bidders should have completed, within <i>two (2) years</i> from the date of submission and receipt of bids, a contract similar to the Project. The description of an eligible bidder is contained in the Bidding Documents, particularly, in Section II (Instructions to Bidders).</p>	<p>2. The <i>Visayas State University – Main Campus</i> now invites bids for the above Procurement Project. Delivery of the Goods is required by <b>Ninety (90) calendar days upon receipt of Notice to Proceed (NTP) with no extension</b>. Bidders should have completed, within <i>two (2) years</i> from the date of submission and receipt of bids, a contract similar to the Project. The description of an eligible bidder is contained in the Bidding Documents, particularly, in Section II (Instructions to Bidders).</p>
<p>5. A complete set of Bidding Documents may be acquired by interested Bidders on <i>26 April – 06 May 2021 until 1:30 PM</i> from the given address and website(s) below and upon payment of the applicable fee for the Bidding Documents, pursuant to the latest Guidelines issued by the GPPB, in the amount of Ten Thousand Pesos (PhP 10,000.00). The Procuring Entity shall allow the bidder to present its proof of payment for the fees in person, by facsimile, or through electronic means.</p>	<p>5. A complete set of Bidding Documents may be acquired by interested Bidders on <b>26 April – 07 May 2021 until 5:00 PM</b> from the given address and website(s) below and upon payment of the applicable fee for the Bidding Documents, pursuant to the latest Guidelines issued by the GPPB, in the amount of Ten Thousand Pesos (PhP 10,000.00). The Procuring Entity shall allow the bidder to present its proof of payment for the fees in person, by facsimile, or through electronic means.</p> <p>The Bidders may also deposit the applicable fee to Visayas State University Landbank Account:</p> <p><b>Account Name:</b> Visayas State University Fund 164</p> <p><b>Account Number:</b> <a href="#">3572-1000-13</a></p> <p>And send the deposit slip to Ms. Jessamine C. Ecleo at <a href="mailto:jecleo@vsu.edu.ph">jecleo@vsu.edu.ph</a></p>



<p>9. Bid opening shall be on <i>06 May 2021; 2:30 PM</i> at the <i>Cooperative Building, VSU Market, Visca, Baybay City, Leyte</i> and/or via <i>Google Meet</i>. Bids will be opened in the presence of the bidders' representatives who choose to attend the activity.</p> <p>Bidders are advised to contact the BAC Secretariat before the scheduled Bid Opening for the Google Meet link</p>	<p>9. Bid opening shall be on <b>10 May 2021; 9:00 AM</b> at the <i>Cooperative Building, VSU Market, Visca, Baybay City, Leyte</i> and/or via <i>Google Meet</i>. Bids will be opened in the presence of the bidders' representatives who choose to attend the activity.</p> <p>Bidders are advised to contact the BAC Secretariat before the scheduled Bid Opening for the Google Meet link</p>
---	---

**B. Other Changes**

Original	Amendment
<p>1. The <i>Visayas State University</i> through the <i>GF 2021</i> intends to apply the sum of <i>Nine Million Five Hundred Seventy-Five Thousand Pesos (PhP 9,575,000.00)</i> being the ABC to payments under the contract for <i>Supply and Delivery of Solar Streetlights (GOODS-21-21)</i>. Bids received in excess of the ABC shall be automatically rejected at bid opening.</p>	<p>1. The <i>Visayas State University</i> through the <i>GF 2021</i> intends to apply the sum of <i>Nine Million Five Hundred Seventy-Five Thousand Pesos (PhP 9,575,000.00)</i> being the ABC to payments under the contract for <b>Supply, Delivery and Installation of Solar Streetlights (GOODS-21-21)</b>. Bids received in excess of the ABC shall be automatically rejected at bid opening.</p>

**C. Other Provisions**

<p><b>For the Visayas State University:</b></p> <ol style="list-style-type: none"> <li><i>The University will provide the pedestal of all lamp posts.</i></li> <li><i>There will be no mobilization fee, however, the University will allow partial payment of the items delivered upon the issuance of sales invoice.</i></li> </ol>	<p><b>For the Winning Bidder:</b></p> <ol style="list-style-type: none"> <li><i>It is the responsibility of the winning bidder to provide the necessary equipment and materials (e.g Boom truck or man lift truck&amp; etc.) needed during installation of Solar Streetlights.</i></li> <li><i>During delivery and installation, it is the responsibility of the winning bidder to coordinate and strictly follow the health protocol of the Local Government Unit of Baybay and VSU, including the payment of the RT-PCR test and accommodation.</i></li> </ol>
---	--



**IV. Revised List of Goods and Technical Specifications**

- Some Specifications were added and/or deleted
- Some Quantities and Unit Prices (ABC) were changed

Item No.	Description	Unit	Qty	ABC/Unit	Total ABC
	<b>Supply, Delivery and Installation of Solar Streetlights</b>	lot	1	9,575,000.00	9,575,000.00
1	<b>Single Garden/Victorian Solar Lamp with Post</b>	pcs	30		
	Specification for Lamp with Post:				
	☐20W LED Power				
	☐20W Solar Panel (Built-in)				
	☐12000 Lithium Battery (Built-in)				
	☐5000K White				
	☐Voltage regulated				
	☐Auto on/off				
	☐Lamp Size (mm): atleast 425 x 425 x 445				
	☐IP 65 rating				
	☐CE, ROHS, IP Certified				
	☐Pole Height: 3 meters				
	☐Bottom Pole Diameter: 2 inches				
	☐Top Pole Diameter: 2 inches				
	☐Base Plate Dimension (Lx WxT): 4 in x 4 in x 16mm				
	☐Anchor bolt Dimension (Dia x L): 1/2 in x 8 in				
	☐Epoxy primer and Black paint coating for all weather resistance				
	☐At least 3 years warranty on service and parts				
2	<b>Solar Street Lights with Segmented Post</b>	pcs	300		
	Specification of Solar Street Light and Segmented Post:				
	☐18V/60W monocrystalline silicone solar panel				
	☐Built-in Lithium Iron Battery (at least 8 years battery life)				
	☐Cree LED Chip				
	☐30W-40W LED Lights				
	☐3300 -4400 Lumens				
	☐3000K-6500K Correlated Color Temperature (CCT)				
	☐Aluminum Alloy Shell Material				
	☐Equipped with Motion Sensor, Time Control or Mixed Mode				
	☐at least 6-7 hours charging time by sun				
	☐at least 3-5 rainy days, 12 hours per night discharge time				
	☐Adjustable Angle (15, 30, 45)				
	☐Compatible with remote control				
	☐IP 65 rating				



	☐CE, ROHS, IP Certified				
	☐Pole Height: <b>5 meters</b>				
	☐Bottom Pole Diameter: 3 inches				
	☐Top Pole Diameter: 2-2 1/2"				
	☐Base Plate Dimension (Lx WxT): 6 in x 6 in x 16mm				
	☐Anchor bolt Dimension (Dia x L): 5/8 in x 12 in				
	<b>Epoxy primer and</b> Black paint coating for all weather resistance				
	☐At least <b>3</b> years warranty on service and parts				
3	<b>Double Arm Garden/Victorian Solar Lamp with Post</b>	pcs	92		
	Specification for Lamp with Post:				
	☐ <b>20W</b> LED Power				
	☐20W Solar Panel (Built-in)				
	☐12000 Lithium Battery (Built-in)				
	☐5000K White				
	☐Voltage regulated				
	☐Auto on/off				
	☐Lamp Size (mm): atleast 425 x 425 x 445				
	☐IP 65 rating				
	☐CE, ROHS, IP Certified				
	☐Pole Height: 3 meters				
	☐Bottom Pole Diameter: <b>2</b> inches				
	☐Top Pole Diameter: <b>2</b> inches				
	☐Base Plate Dimension (Lx WxT): 4 in x 4 in x 16mm				
	☐Anchor bolt Dimension (Dia x L): <b>1/2 in x 8 in</b>				
	☐ <b>Epoxy primer and</b> Black paint coating for all weather resistance				
	☐At least <b>3</b> years warranty on service and parts				
<b>Note: Supplier should have Service Center within Region 8 due to Covid issues</b>					
	<b>TOTAL ABC (for this project):</b>			<b>9,575,000.00</b>	

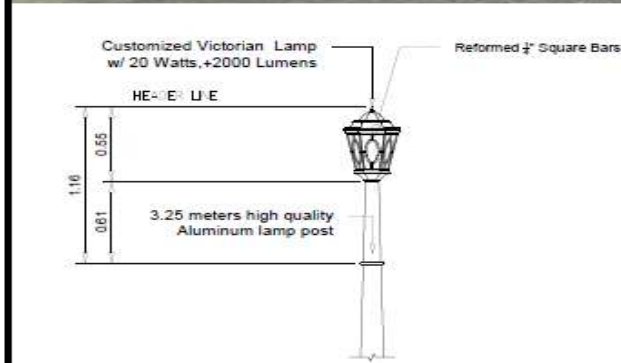
**Attachment: Appendix A. Sample Pictures, Diagram and Designs**

*Sgnd*  
**DILBERTO O. FERRAREN**  
BAC Chairman

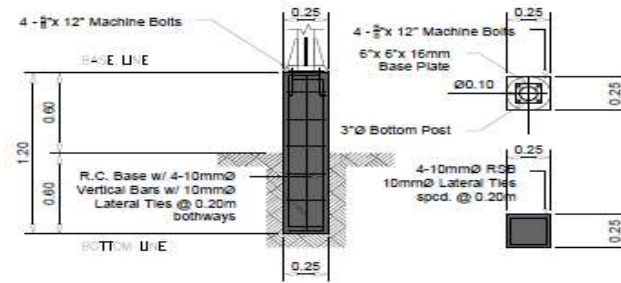


**Appendix A: Sample Pictures, Diagram and Designs**

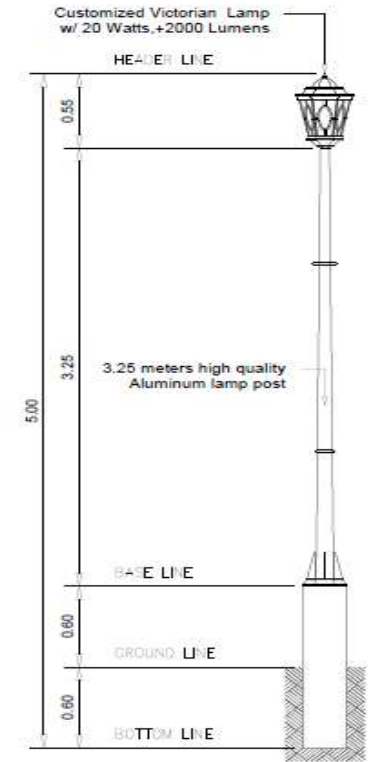
**Item No. 1. Single Garden/Victorian Solar Lamp with Post (90 pcs)**



**2** **DETAIL OF CASEMENT**  
Scale: 1:60



**3** **DETAIL OF BASE**  
Scale: 1:60



**ELEVATION**

**4** **DETAIL OF STREET LIGHT**  
Scale: 1:30

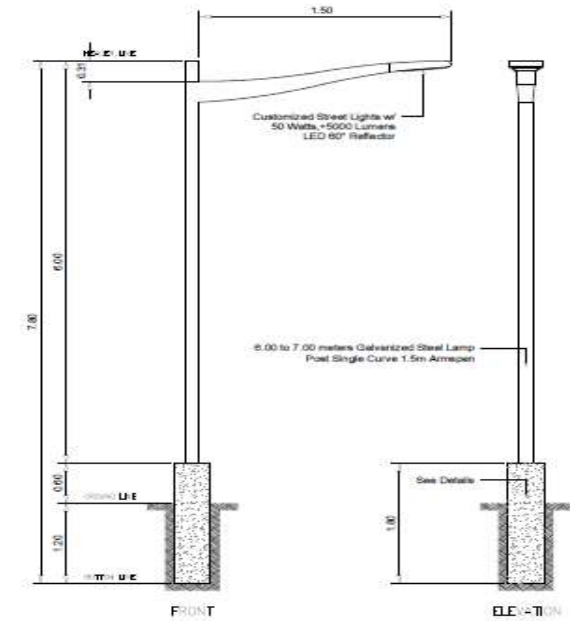
ITN: PRC: PTR: Date: Place:	Approved by:	Project Title:  <b>STREET LIGHTS - 2</b>	Checked by:  Engr. WARD J. DELA VALLONZA	Recommending Approval:  Dr. REMBERTO A. PATINDOL	Approved by:  Dr. EDGARDO E. TULIN	Concept by: AutoCAD by: Date Started: Date Finished: Place:	<table border="1"> <tr> <td>A1</td> <td>01</td> </tr> <tr> <td>SHEET NO.</td> <td>01</td> </tr> <tr> <td>01</td> <td>01</td> </tr> </table>	A1	01	SHEET NO.	01	01	01
A1	01												
SHEET NO.	01												
01	01												



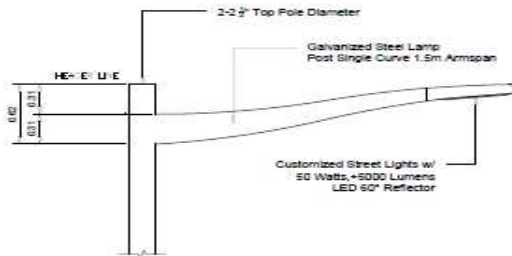
## Item No. 2. Solar Street Lights with Segmented Post (300 pcs)



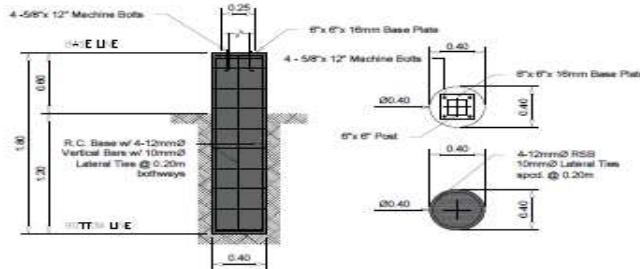
1 PERSPECTIVE  
Scale: 1:100



4 DETAIL OF STREET LIGHT  
Scale: 1:50



2 DETAIL OF CASEMENT  
Scale: 1:40



3 DETAIL OF BASE  
Scale: 1:40

IN: PRC: PPR: Date: Place:	Approved by:	<small>           The contractor shall be responsible for the accuracy of the data and information provided in this bid. The contractor shall be held liable for any errors or omissions in the bid. The contractor shall be held liable for any damages or losses resulting from the use of the bid. The contractor shall be held liable for any costs incurred by the contractor in the preparation and submission of the bid.         </small>	Project Title:  <b>STREET LIGHTS - 3</b>  Location: Main VSU Campus, Baybay City, Leyte (Phase: 001)	Checked by: <b>Engr. MARQUELLO R. WALDOMA</b> <small>WALDOMA@vsu.edu.ph</small>	Recommending Approval: <b>Dr. REMBERTO A. PATINDOL</b> <small>VPFOR@vsu.edu.ph</small>	Approved by: <b>Dr. EDGARDO E. TULIN</b> <small>VSPR@vsu.edu.ph</small>	Created by: <small>AutoCAD</small>	Date Started: 	Date Finished: 	Name:	<b>A1 01</b> SHEET NO. <b>01 01</b>
--	--------------	---	--	---	--	---	---------------------------------------	-------------------	--------------------	-------	---



