

(COOP BUILDG P2)
ISOMETRY
N D T S

INDEX - 01

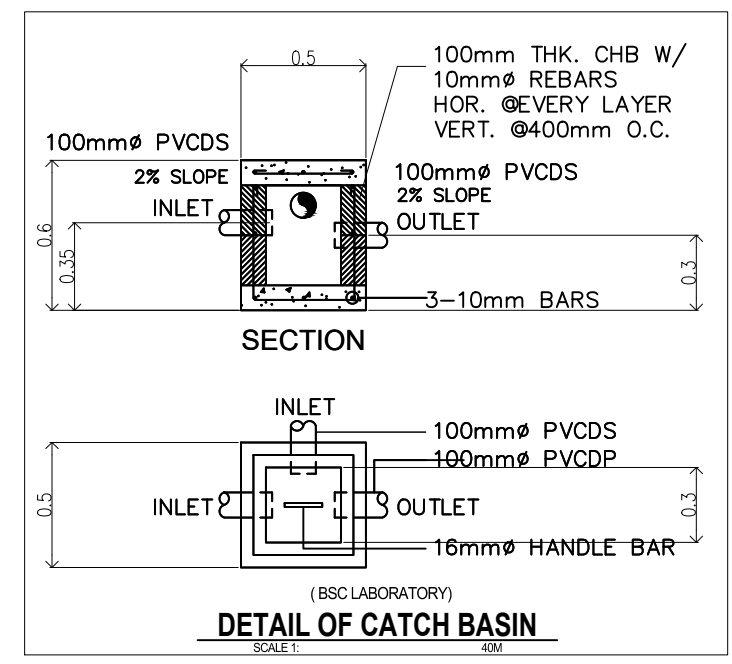
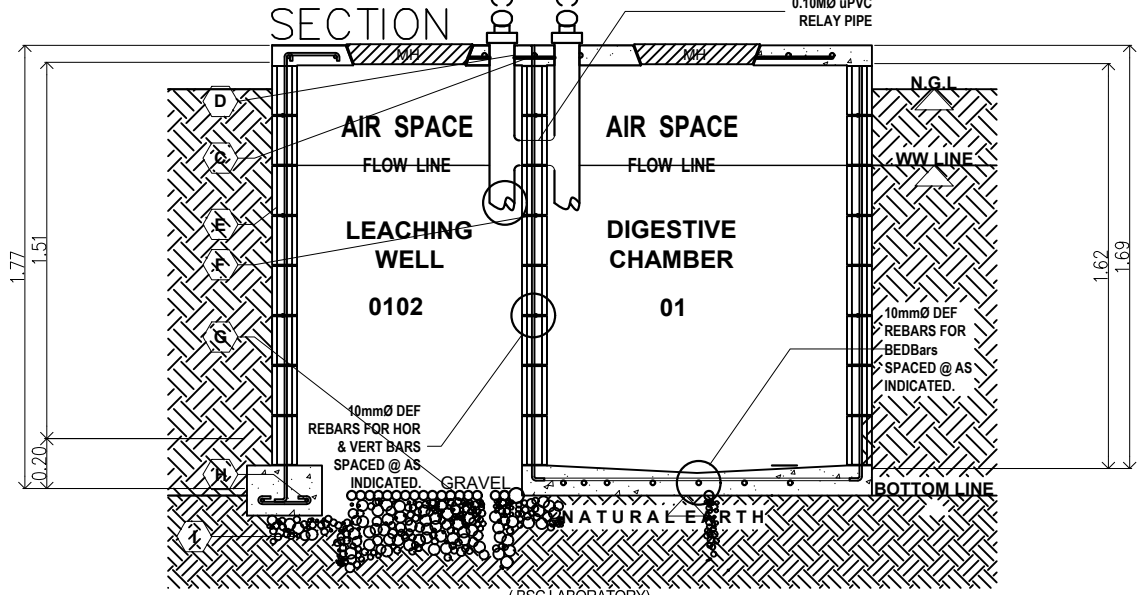
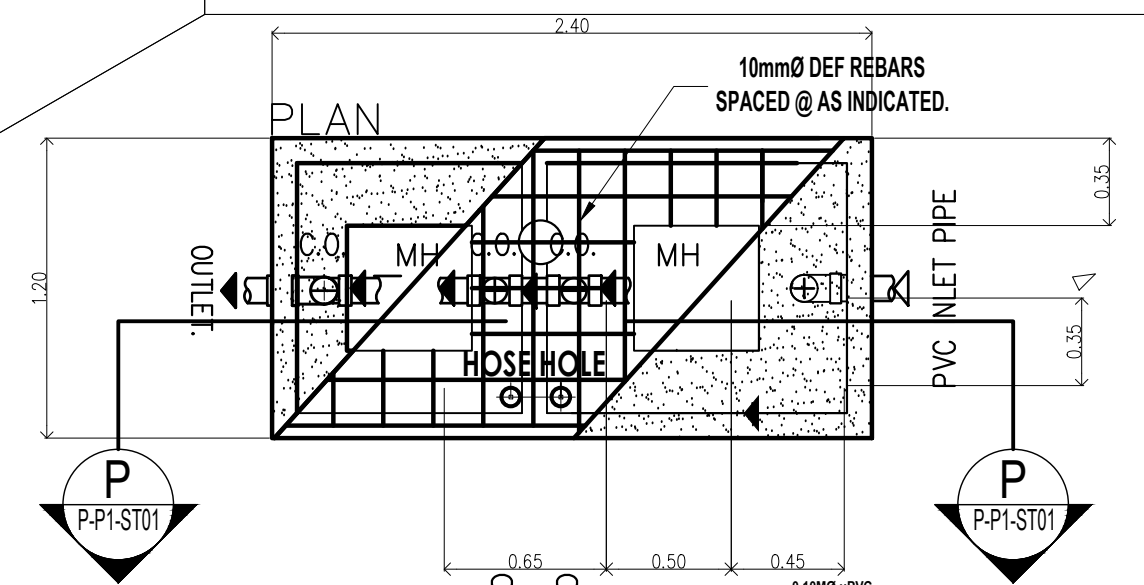
- 1 4" Ø NELTEX SANITARY PVC PIPE S. 1000
- 2 .10 M THK. REINFORCED CONCRETE PLASTERED CHB WALL W/ LIQUID TILE PAINT PREPARATION AND SUN & RAIN PAINT FINISH.
- 3 2" Ø NELTEX SANITARY PVC PIPE S. 1000
- 4 1.20 M. x 2.20 M. CONCRETE SEPTIC VAULT (SEE DET OF SEPTIC TANK)
- 5 ¾" Ø ATLANTA POLYETHYLENE PIPE ISO 4427, SDR 11

INDEX - 02

- A REINFORCED CHB ASSEMBLY
- B .10 M THK. REINFORCED CONCRETE SLAB
- C 10 MM Ø TEMPERATURE BARS SPACED AT .20 M.O.C
- D 4" Ø NELTEX SANITARY PVC PIPE S. 1000
- E 10 MM Ø VERTICAL BARS SPACED AT .50 M.O.C
- F 10 MM Ø HORIZONTAL BARS AT EVERY 3 LAYERS OF CHB

LEGEND:

ST	SEPTIC TANK
—	SEWER LINE
—	WATER SUPPLY LINE
—	MAIN SEWER LINE
CO	CLEAN OUT
CV	CHECK VALVE
WM	WATER METER
GV	GATE VALVE
VTR	VENT THRU ROOF
T & B	TOILET & BATH
F	FAUCET
WC	WATER CLOSET
FD	FLOOR DRAIN
LAV	LAVATORY
KSK	KITCHEN SINK



(BSC LABORATORY)
DETAIL OF CATCH BASIN
SCALE 1: 40M

GENERAL NOTES:

ALL HORIZONTAL PIPINGS IN PERFECT ALIGNMENT AND A UNIFORM GRADE OF NOT LESS THAN 2%. CHANGE IN DIRECTION SHALL BE DONE BY APPROPRIATE USE OF 45° WYE LONG SWEEP QUARTER BENT 6 / 8 OR 6 / 10 BENDS WHEN CHANGE OF FLOW IS FROM HORIZONTAL TO VERTICAL, A SINGLE 1 / 8 BEND COMBINATION MAY BE USED IN WASTE LINES, TEE AND CROSSES MAY BE USED IN VENT PIPES.

NO DOUBLE HUB OR DOUBLE TEE BRANCH SHALL BE USED ON HORIZONTAL SOIL OR WASTE LINES, THE DRILLING & TAPPING OF HOUSE, WASTE OR VENT PIPES AND USED OF SADDLE HUBS AND BEND ARE PROHIBITED.

ALL PLUMBING WORKS SHOULD BE DONE IN ACCORDANCE WITH THE PROVISION OF THE NATIONAL PLUMBING CODE THE REQUIREMENTS OF THE LOCAL PLUMBING INSPECTION OFFICE, PERTINENT PROVISIONS OF THE EXISTING LOCAL BUILDING CODE.

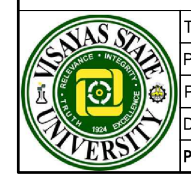
CLEAN-OUTS ARE REQUIRED UNDER THE FOLLOWING CONDITIONS:

- EVERY CHANGE IN HORIZONTAL DIRECTION EXCEEDING 22.5°
- 1.5M INSIDE PROPERTY LINE BEFORE THE HOUSE DRAINAGE.
- EVERY 15MTS. IN HORIZONTAL RUN OF PIPE.
- AT ANY END OF ANY HORIZONTAL PIPE LINE.

THE DIGESTIVE CHAMBER OF ANY SEPTIC VAULT MUST BE WATER PROOFED.

NOT LESS THAN .30 MTS OF AIR SPACE MUST BE LEFT BETWEEN THE TOP OF THE SEWAGE AND BOTTOM OF THE SEPTIC VAULT COVER.

ALL PLUMBING WORKS SHALL BE DONE BY A LICENSED MASTER PLUMBER OR SANITARY ENGINEER AND LICENSED PLUMBING CONTRACTOR.



TIN :-	Design & Seal	Project Title :	Checked by :	Noted by :	Approved by :	SHEET CONTENTS:	Designed by : ELVON	<div style="border: 1px solid black; border-radius: 50%; width: 40px; height: 40px; display: flex; align-items: center; justify-content: center;"> P2 02 </div>	
PRC :-	MARCELO T. ABRERA, JR. REG. MASTER PLUMBER	"PROPOSED" (PHASE-02) RENOVATION OF COOPERATIVE BUILDING LOCATION: PANGASUGAN, VSU-MAIN, BAYBAY CITY	ENGR. MARCELO T. ABRERA, JR. HEAD, IPDMM	Dr. DANIEL LESLIE S. TAN VP OF ADMINISTRATIVE & FINANCE	Dr. EDGARDO E. TULIN VSU PRESIDENT	ISOMETRY	CAD by : ELVON		<div style="border: 1px solid black; border-radius: 50%; width: 40px; height: 40px; display: flex; align-items: center; justify-content: center;"> 18 18 </div>
PTR :-						DETAIL OF SEPTIC TANK	Date Started : Apr. '22		
Date :-						LEGENDS	Date Finished : Apr. '22		
PL. ISS. :-						GENERAL NOTES	Revision : 2.10		