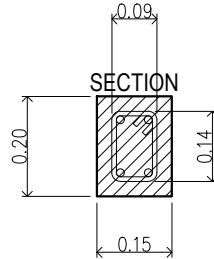
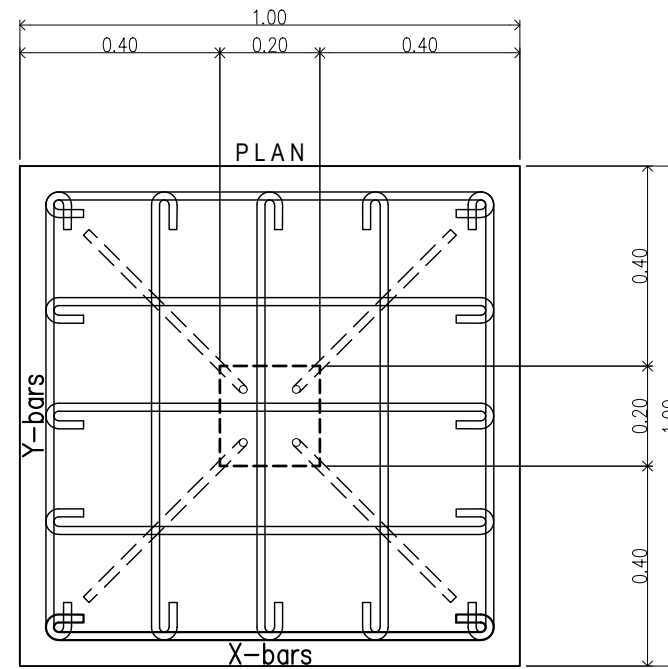


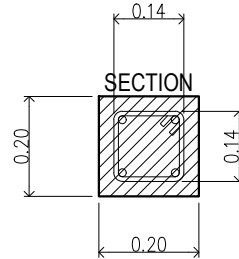
C1F1
TEMP BAR:
10-12mm ϕ DB



SECTION
MAIN BAR:
4-16mm ϕ
TIES: 10mm ϕ

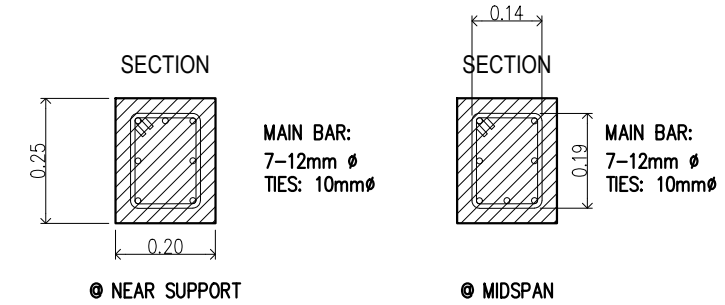


C2F2
TEMP BAR:
10-16mm ϕ DB

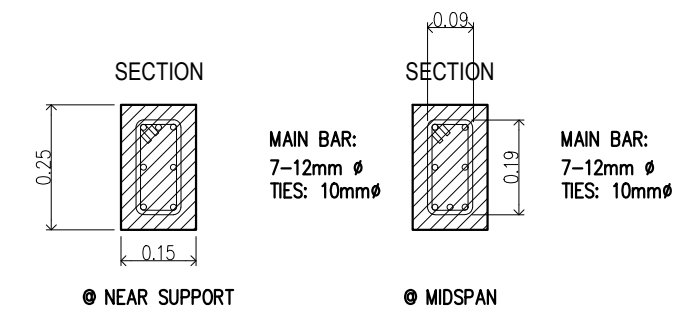


SECTION
MAIN BAR:
4-16mm ϕ
TIES: 10mm ϕ

(COOP BUILDING P2)
SCHEDULE OF RC COLUMNS
SCALE 1: 30M

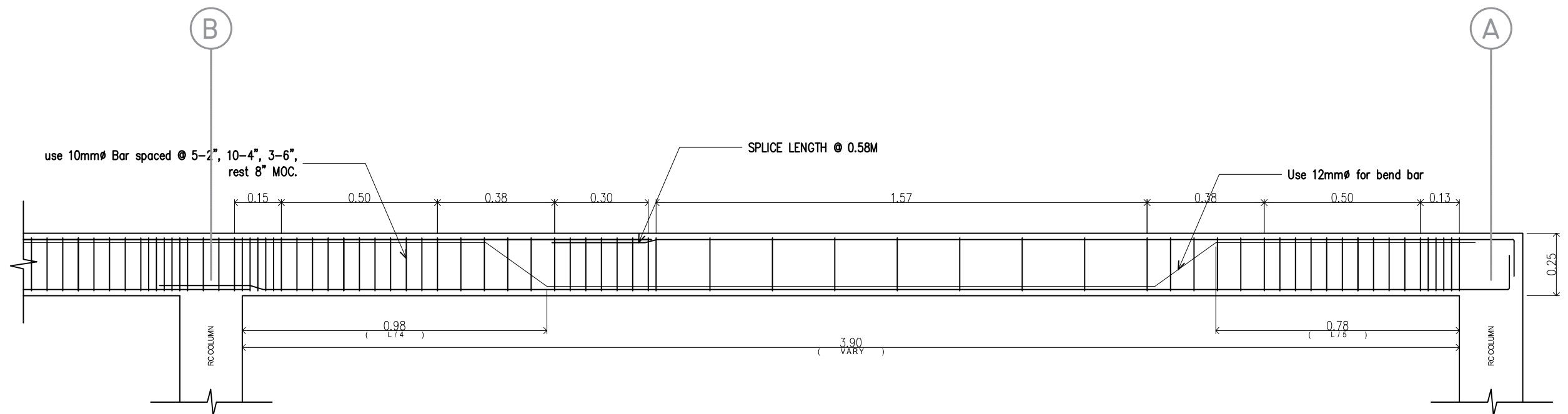


RB-1



RB-2

(COOP BUILDING P2)
SCHEDULE OF RC BEAMS
SCALE 1: 30M



(COOP BUILDING P2)
TYPICAL SECTION DET OF RC BEAM-1
SCALE 1: 30M

SEE DETAIL OF:
SCHEDULE OF RC COLUMNS & FOOTINGS A
DETAILS OF RC BEAMS & SLAB B

	TIN : PRC : 0141581 PTR : 3695759 Date : 20 JANUARY 2021 PL. ISS. : MAASIN CITY	Design & Seal JIEN APRIL B. JUALO CIVIL ENGINEER II	Project Title : "PROPOSED" (PHASE-02) RENOVATION OF COOPERATIVE BUILDING LOCATION: PANGASUGAN, VSU-MAIN, BAYBAY CITY	Checked by : ENGR. MARCELO T. ABRERA, JR. DIRECTOR, IPDMM	Noted by : Dr. DANIEL LESLIE S. TAN VP OF ADMINISTRATIVE & FINANCE	Approved by : Dr. EDGARDO E. TULIN VSU PRESIDENT	SHEET CONTENTS: SCHED OF RC COLUMN & FTNG SCHED OF RC BEAM TYPICAL SECT DET OF RC BEAM	Designed by : ELVON CAD by : ELVON Date Started : Apr. '22 Date Finished : Apr. '22 Revision : 1.10	<div style="border: 1px solid black; border-radius: 50%; width: 40px; height: 40px; display: flex; align-items: center; justify-content: center;"> <div style="border: 1px solid black; border-radius: 50%; width: 20px; height: 20px; display: flex; align-items: center; justify-content: center;">S3</div> <div style="margin-left: 5px;">04</div> </div>
								SHEET NO.	11 18