

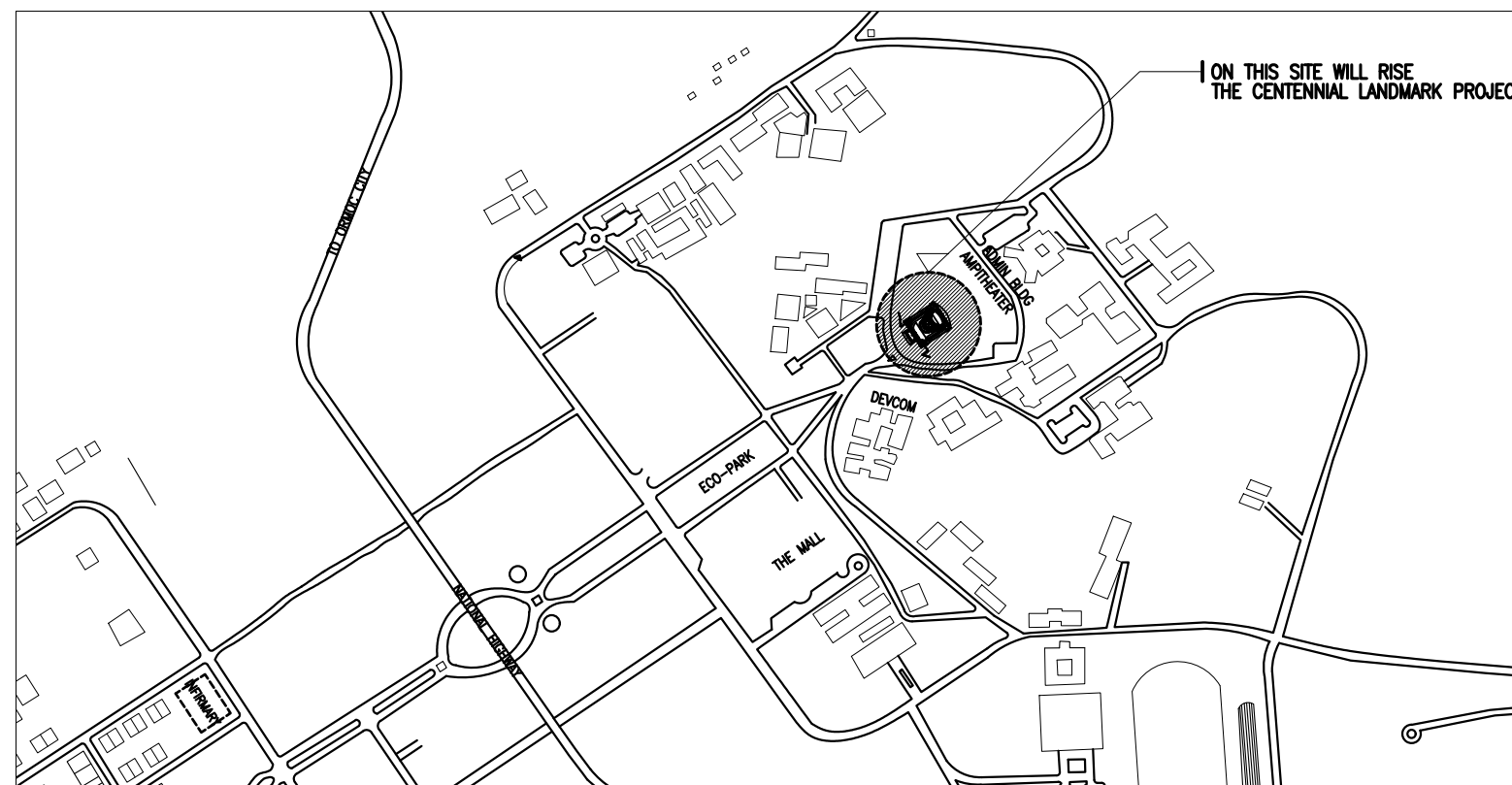


FRONT VIEW



REAR VIEW

PERSPECTIVES



LOCATION MAP

TABLE OF CONTENTS

ARCHITECTURAL	STRUCTURAL
AR - 1 PERSPECTIVE LOCATION MAP	ST - 10 SLAB-ON-GRADE PLAN TYPICAL DETAIL OF RC RAMP TYPICAL DETAIL OF WALL FTNG - SLAB CONNECTION DETAIL OF STAIR ON GRADE
AR - 2 ORTHOMOSAIC BASE PLAN	ELECTRICAL
AR - 3 SITE DEVELOPMENT PLAN	E - 1 TO 9 STRIP LITE LINE LAYOUT
AR - 4 GROUND FLOOR PLAN PLAN	E - 10 GROUND FLR. LIGHTING LAYOUT
AR - 5 SECOND FLOOR PLAN	E - 11 SECOND FLR. LIGHTING LAYOUT
AR - 6 REFLECTED CEILING PLAN	E - 12 GF STAIRCASE WALL LAMP & SPOTLIGHT
AR - 7 ROOF PLAN	E - 13 LED UNDERGROUND LIGHTS
AR - 8 FRONT ELEVATION RIGHT SIDE ELEVATION	E - 14 GF POWER LAYOUT
AR - 9 LEFT SIDE ELEVATION REAR ELEVATION	E - 15 SF POWER LAYOUT
AR - 10 SECTION THRU "A-A" SECTION THRU "B-B"	E - 16 OUTDOOR STAIRWAY & RAMP CASE LIGHTING LAYOUT
AR - 11 DETAIL OF STAIRWELL (INTERIOR) ELEVATIONS & SECTIONS OF STAIRWELL	E - 17 OUTDOOR STAIRWAY & RAMP CASE LIGHTING ILLUSTRAT
AR - 12 DETAIL OF FRONT STAGE	E - 18 SCHEDULE OF LOADS LEGENDS DIAGRAMS
AR - 13 DETAIL OF REAR LATTICE WALL	E - 19 ELECTRICAL NOTES
AR - 14 DETAIL OF REAR STAIRWAY & RAMP	FIRE FIGHTING
AR - 15 SPANDREL FRAMING PLAN	FF - 1 GF FIRE PROTECTION SPRINKLER PLAN SF FIRE PROTECTION SPRINKLER PLAN
AR - 16 SCHEDULE OF SPANDREL FRAME SECT @ 3RD LEVEL	FF - 2 FIRE SPRINKLER LAYOUT ON SECTION ELEVATIONS
AR - 17 SCHEDULE OF SPANDREL FRAME SECT @ 4TH LEVEL	FF - 3 FIRE PUMP DIAGRAM DETAIL OF FLUSH MOUNTED FIRE HOSE CABINET
AR - 18 SCHEDULE OF SPANDREL FRAME SECT @ 5TH LEVEL	PLUMBING
AR - 19 SCHEDULE OF SPANDREL FRAME SECT @ 6TH LEVEL	PL - 1 IRRIGATION LAYOUT
AR - 20 SCHEDULE OF SPANDREL FRAME SECT @ 7TH LEVEL	PL - 2 IRRIGATION LINE LAYOUT ON ELEVATION SECTION IRRIGATION PUMP CONNECTION DIAGRAM
AR - 21 SCHEDULE OF SPANDREL FRAME SECT @ 8TH LEVEL	PL - 3 DRAINAGE LINE PLAN
AR - 22 SCHEDULE OF SPANDREL FRAME SECT @ 9TH LEVEL	PL - 4 DRAINAGE LINE LAYOUT ON ELEVATION SECTION DETAIL OF CATCH BASIN
AR - 23 SCHEDULE OF SPANDREL FRAME SECT @ 9TH LEVEL	PL - 5 AREA DRAIN TRENCH PLAN TRENCH COVER DETAIL TRENCH GRATING DETAIL
AR - 24 BLOW-UP DETAIL SPANDREL FRAMES	PL - 6 DETAIL OF CATCH BASIN GENERAL NOTES LEGENDS & SYMBOLS
STRUCTURAL	
ST - 1 FOUNDATION PLAN FIRST CONC GUTTER BEAM PLAN	
ST - 2 SECOND CONC GUTTER BEAM PLAN THIRD CONC GUTTER BEAM PLAN	
ST - 3 FOURTH CONC GUTTER BEAM PLAN FIFTH CONC GUTTER BEAM PLAN	
ST - 4 SIXTH CONC GUTTER BEAM PLAN SEVENTH CONC GUTTER BEAM PLAN	
ST - 5 EIGHT CONC GUTTER BEAM PLAN NINTH CONC GUTTER BEAM PLAN TOP BEAM PLAN	
ST - 6 SCHEDULE OF RC COLUMN DETAIL OF RC TIE BEAM DETAIL OF COLUMN FOOTING	
ST - 7 SCHEDULE OF RC FOOTING DETAIL OF FOOTING DETAIL OF WALL FOOTING 1 DETAIL OF WALL FOOTING 2 DETAIL OF SPANDREL-GUTTER CONNECTION TYPICAL DETAIL OF RC SLAB	
ST - 8 DETAIL OF C4 -	
ST - 9 ROOF FRAMING PLAN DETAIL OF STRUT ELEVATION OF TRUSS DETAIL OF TRUSS	

REPUBLIC OF THE PHILIPPINES
DEPARTMENT OF PUBLIC WORKS & HIGHWAYS
OFFICE OF THE BUILDING OFFICIAL
CITY OF BAYBAY
LEYTE

5TH / BAYBAY
DISTRICT / CITY / MUNICIPALITY

LAND USE AND ZONING

APPROVED _____ DATE _____

LINE AND GRADE

APPROVED _____ DATE _____

ARCHITECTURAL

APPROVED _____ DATE _____

SANITARY

APPROVED _____ DATE _____

STRUCTURAL

APPROVED _____ DATE _____

MECHANICAL

APPROVED _____ DATE _____

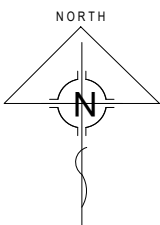
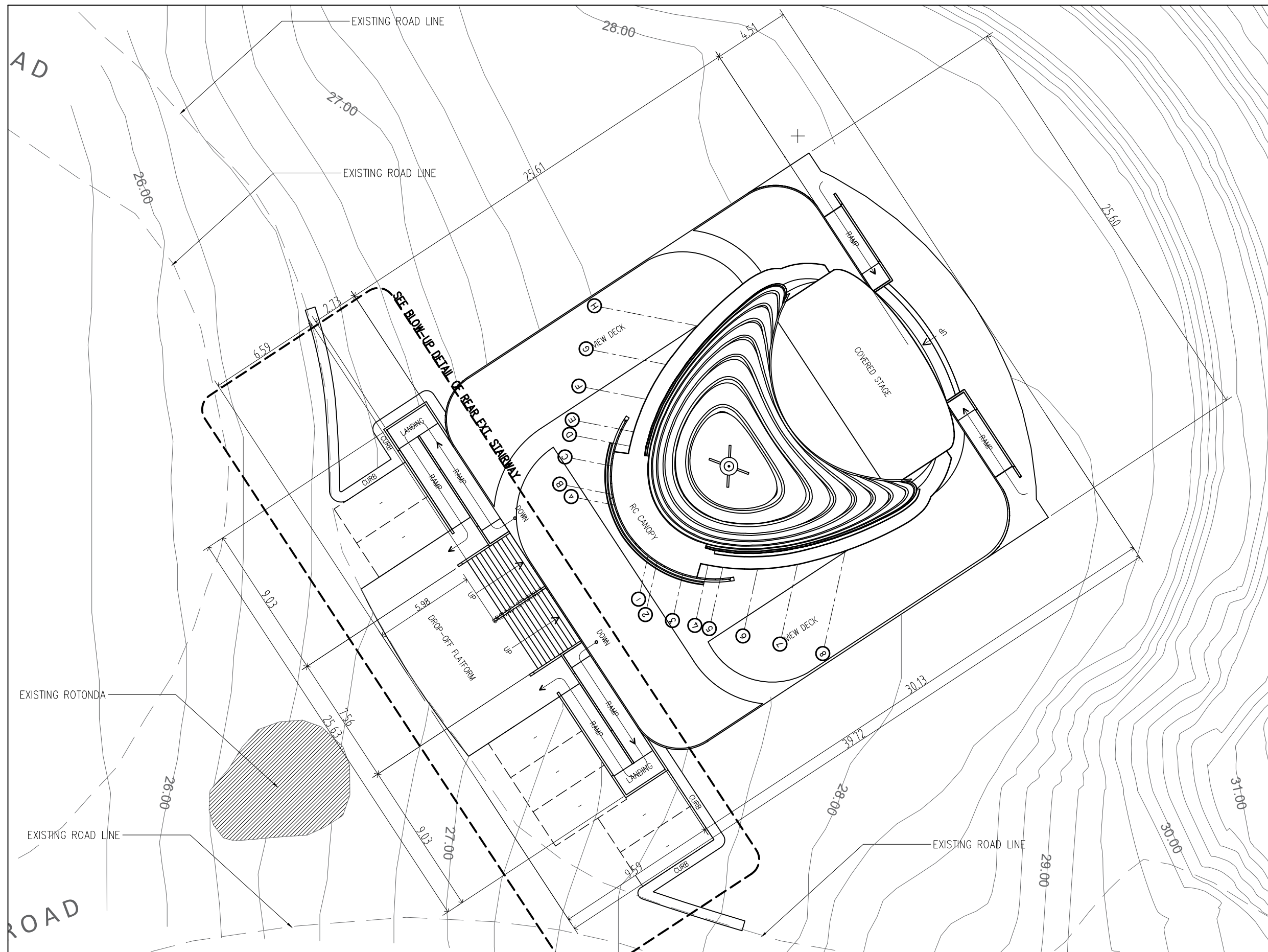
ELECTRICAL

FIRE DEPARTMENT

APPROVED _____ DATE _____

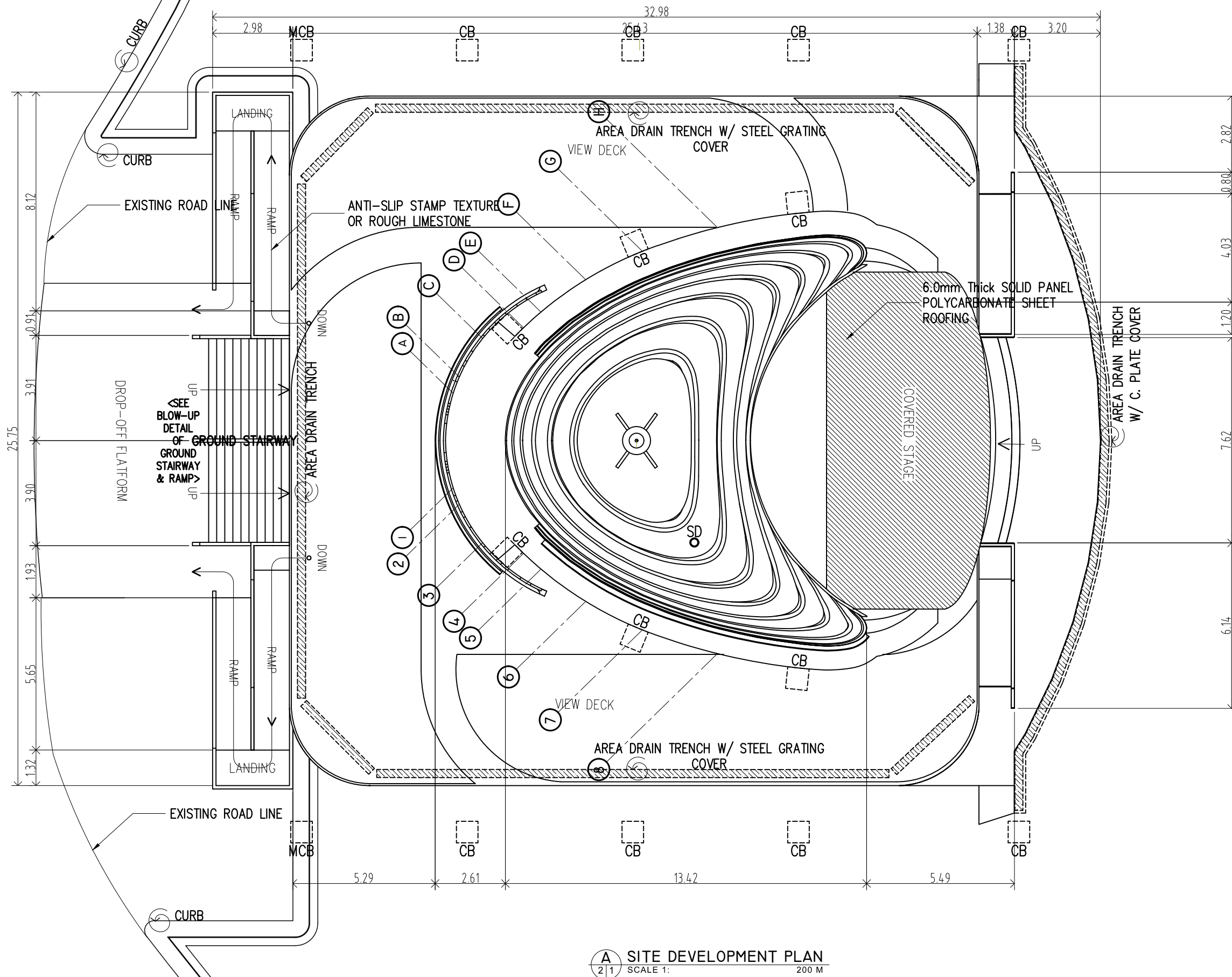
TIN : 930-953-275	Design & Seal	Project Title :	Checked by:	Noted by:	Approved by:	Sheet Contents	Designed by : ELVON
PRC : 0018370	ELVIN A. CABAÑERO ARCHITECT II	"PROPOSED" CENTENNIAL TWO-STORY LANDMARK BUILDING PROJECT LOCATION : ERGY, PANGASUGAN, UPPER CAMPUS, VSU, BAYBAY CITY.	ENGR. MARCELO T. ABRERA Jr. RFPDMO	Dr. DANIEL LESLIE S. TAN OP/PF	Dr. EDGARDO E. TULIN VSU PRESIDENT	PERSPECTIVES LOCATION MAP	CAD by : ELVON
PIR : 3695759							Date Started : Oct '22
Date : 20 JANUARY 2021							Date Finished : Apr '23
PL. ISS. : JAWER, LEYTE							Revision : 3.65

A1 25
SHEET NO.
01 66



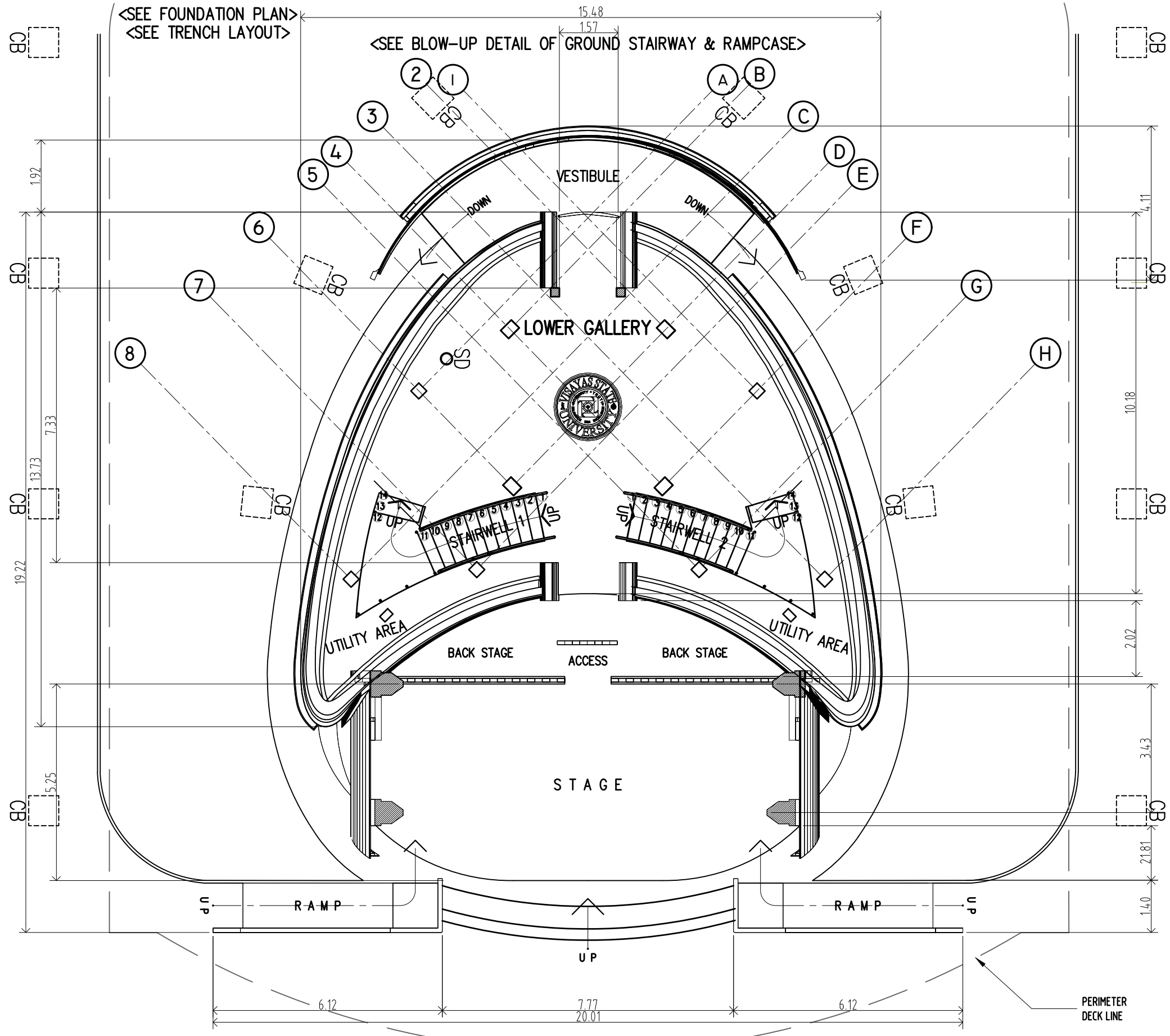
A ORTHOMOSAIC BASE PLAN
 SCALE 1: 350 M

TIN : 930-953-275	Design & Seal	Project Title :	Checked by:	Noted by:	Approved by:	Sheet Contents	Designed by : ELVON	<div style="border: 1px solid black; border-radius: 50%; padding: 5px; display: inline-block;"> A2 25 SHEET NO. 02 66 </div>
PRC : 0018370	ELVIN A. CABAÑERO ARCHITECT II	"PROPOSED" CENTENNIAL TWO-STOREY LANDMARK BUILDING PROJECT LOCATION : ERGY, PANGASUGAN, UPPER CAMPUS, VSU, BAYBAY CITY.	ENGR. MARCELO T. ABRERA Jr. PPDMO	Dr. DANIEL LESLIE S. TAN OPAF	Dr. EDGARDO E. TULIN VSU PRESIDENT	ORTHOMOSAIC BASE PLAN	CAD by : ELVON	
PIR : 3695759						Date Started : Oct '22		
Date : 20 JANUARY 2021						Date Finished : Apr '23		
PL. ISS. : JAWER, LEYIE						Revision : 6.20		



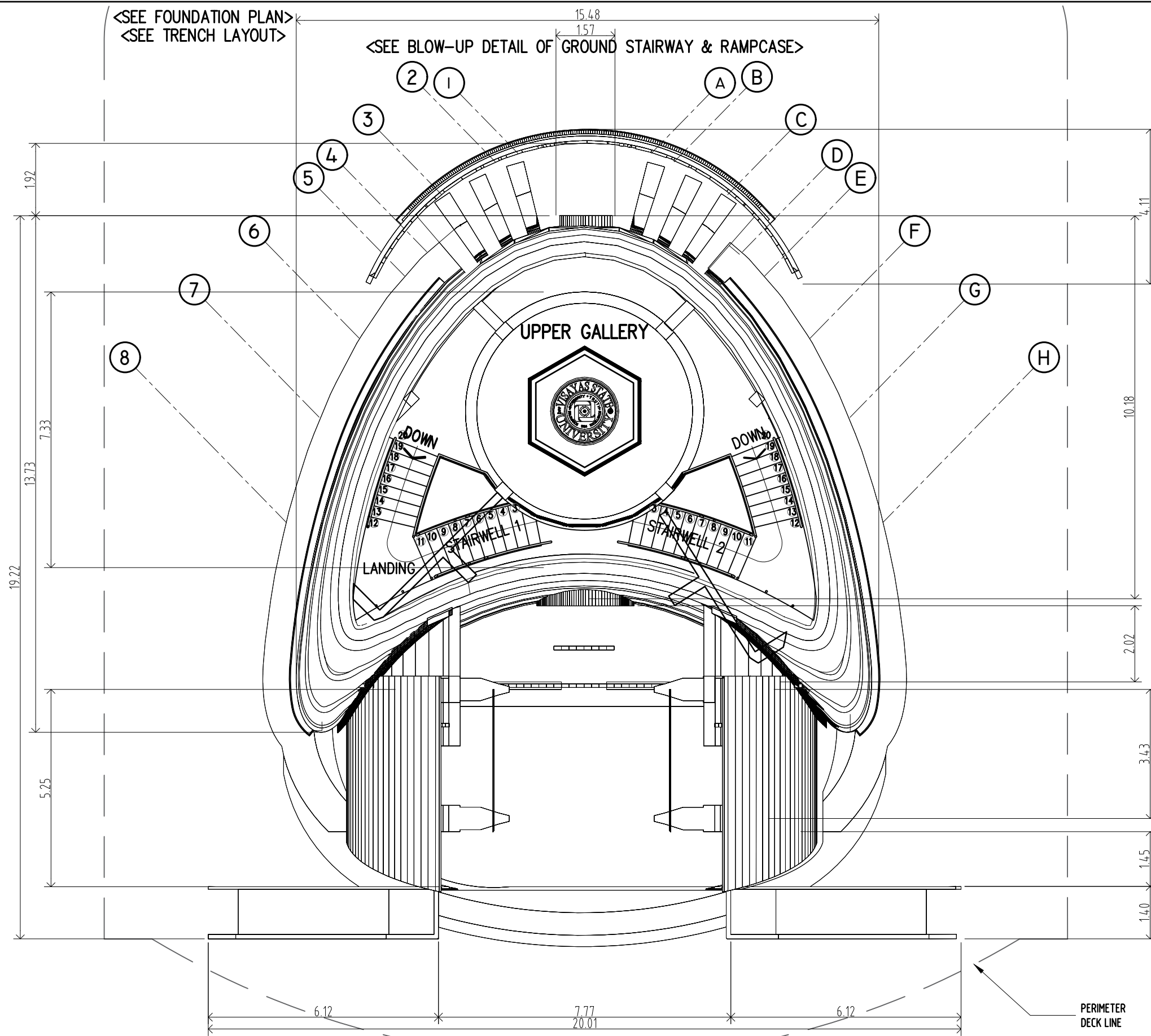
A SITE DEVELOPMENT PLAN
 21 SCALE 1: 200 M

TIN : 930-953-275	Design & Seal	Project Title :	Checked by:	Noted by:	Approved by:	Sheet Contents	Designed by : ELVON	<div style="border: 1px solid black; border-radius: 50%; width: 40px; height: 40px; display: flex; align-items: center; justify-content: center;"> A3 25 </div> SHEET NO. <div style="border: 1px solid black; border-radius: 50%; width: 40px; height: 40px; display: flex; align-items: center; justify-content: center;"> 03 66 </div>
PRC : 0018370	ELVIN A. CABAÑERO ARCHITECT II	"PROPOSED" CENTENNIAL TWO-STOREY LANDMARK BUILDING PROJECT	ENGR. MARCELO T. ABRERA Jr. PFPDMO	Dr. DANIEL LESLIE S. TAN OMPF	Dr. EDGARDO E. TULIN VSU PRESIDENT	SITE DEVELOPMENT PLAN	CAD by : ELVON	
PTR : 3695759		LOCATION : ERGY. PANGSUGAN, UPPER CAMPUS, VSU, BAYBAY CITY.				Date Started : Oct '22		
Date : 20 JANUARY 2021						Date Finished : Apr '23		
PL. ISS. : JAWER, LEYTE						Revision : 6.20		



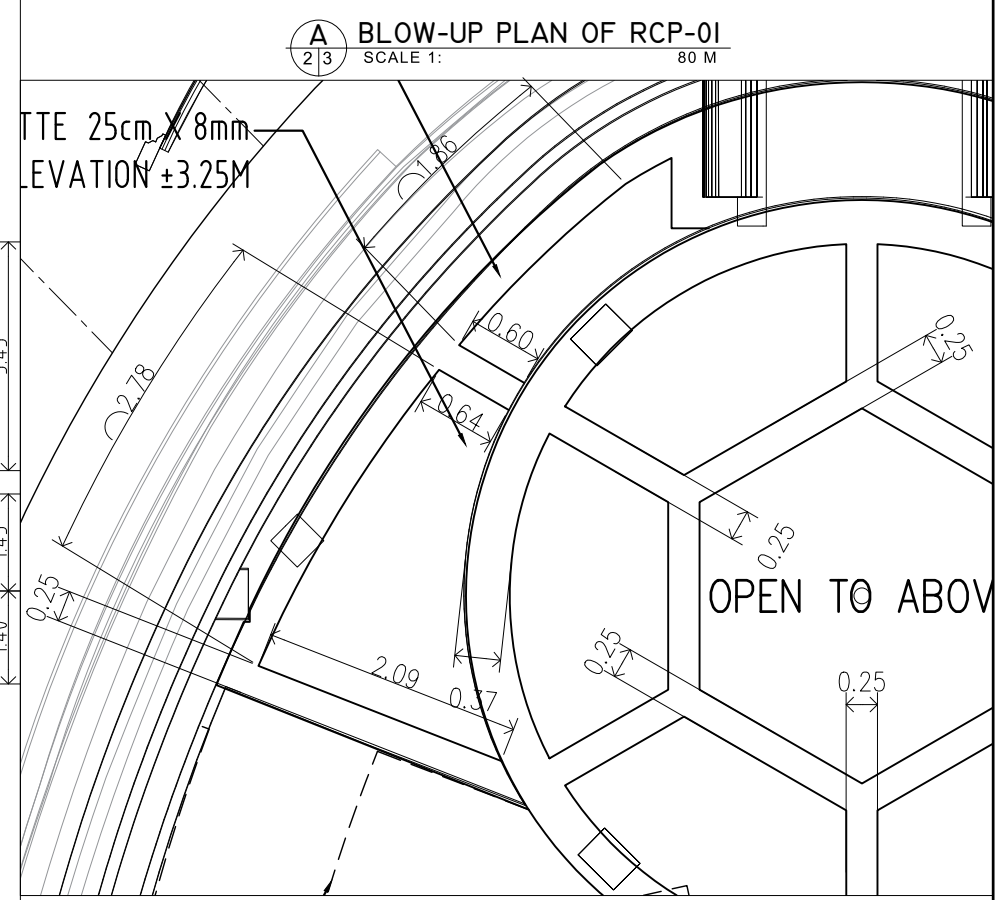
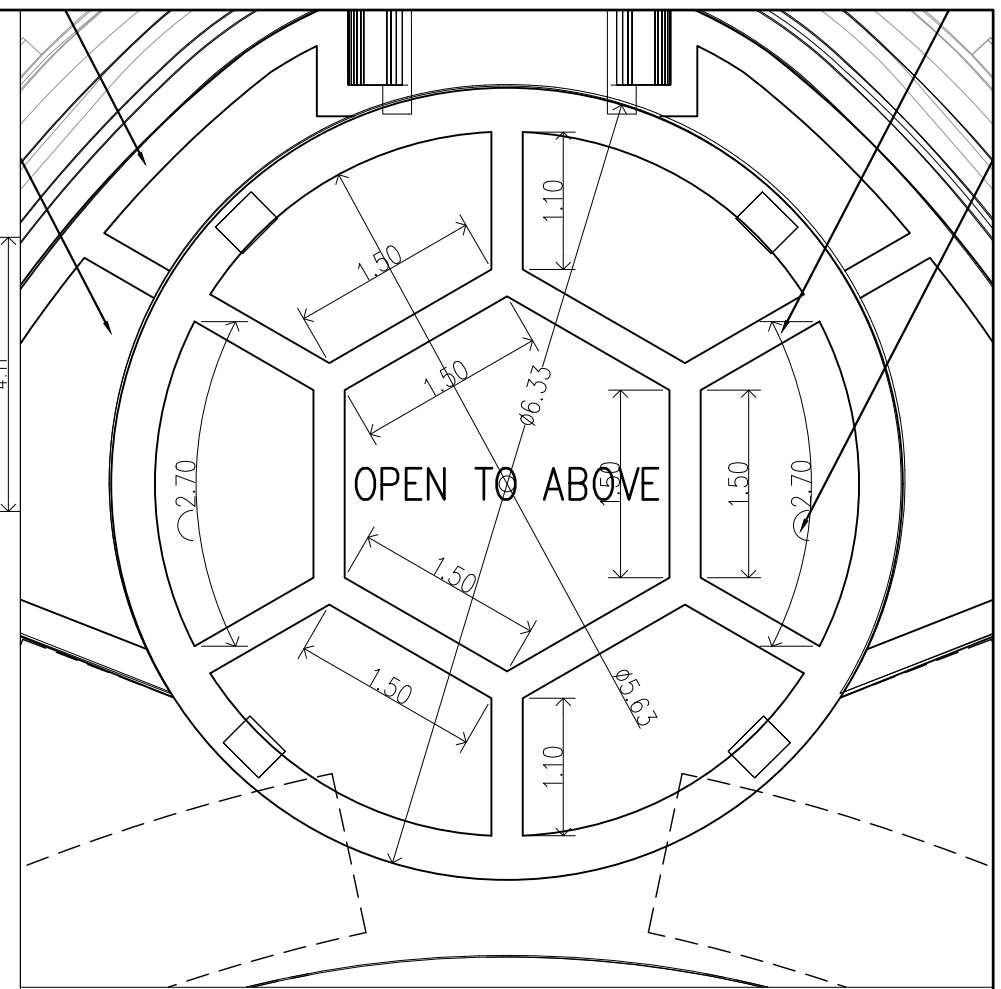
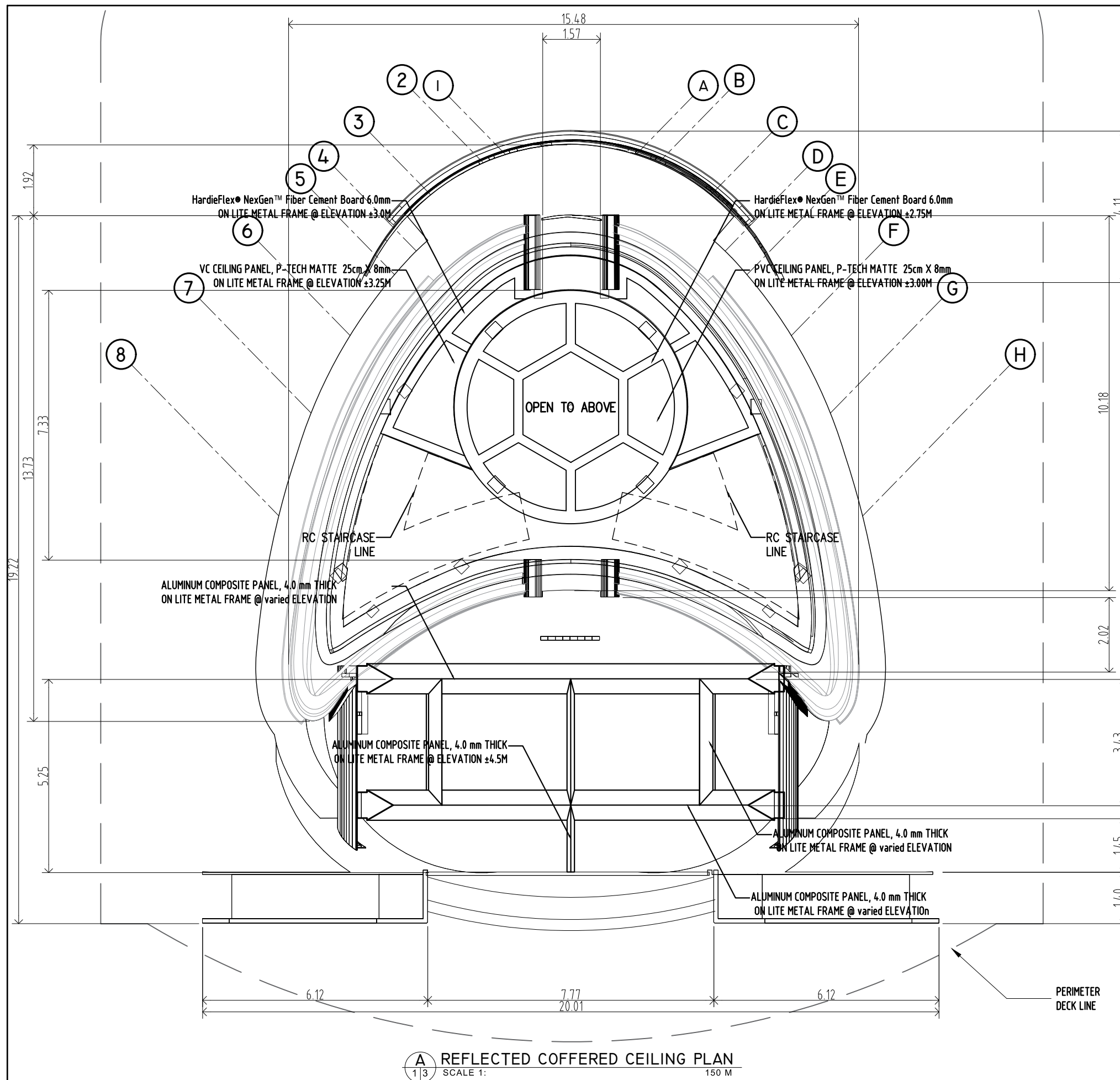
A GROUND FLOOR PLAN
 2/1 SCALE 1: 150 M

TIN : 930-953-275	Design & Seal	Project Title :	Checked by:	Noted by:	Approved by:	Sheet Contents	Designed by : ELVON	<div style="border: 1px solid black; border-radius: 50%; padding: 5px; display: inline-block;"> A4 25 SHEET NO. 04 66 </div>
PRC : 0018370	ELVIN A. CABAÑERO ARCHITECT II	"PROPOSED" CENTENNIAL TWO-STOREY LANDMARK BUILDING PROJECT	ENGR. MARCELO T. ABRERA Jr. PFPDM	Dr. DANIEL LESLIE S. TAN OMPF	Dr. EDGARDO E. TULIN VSU PRESIDENT	GROUND FLOOR PLAN	CAD by : ELVON	
PTR : 3695759		LOCATION : ERGY. PANGASUGAN, UPPER CAMPUS, VSU, BAYBAY CITY.				Date Started : Oct '22		
Date : 20 JANUARY 2021						Date Finished : Apr '23		
PL. ISS. : JAWER, LEYIE						Revision : 6.20		

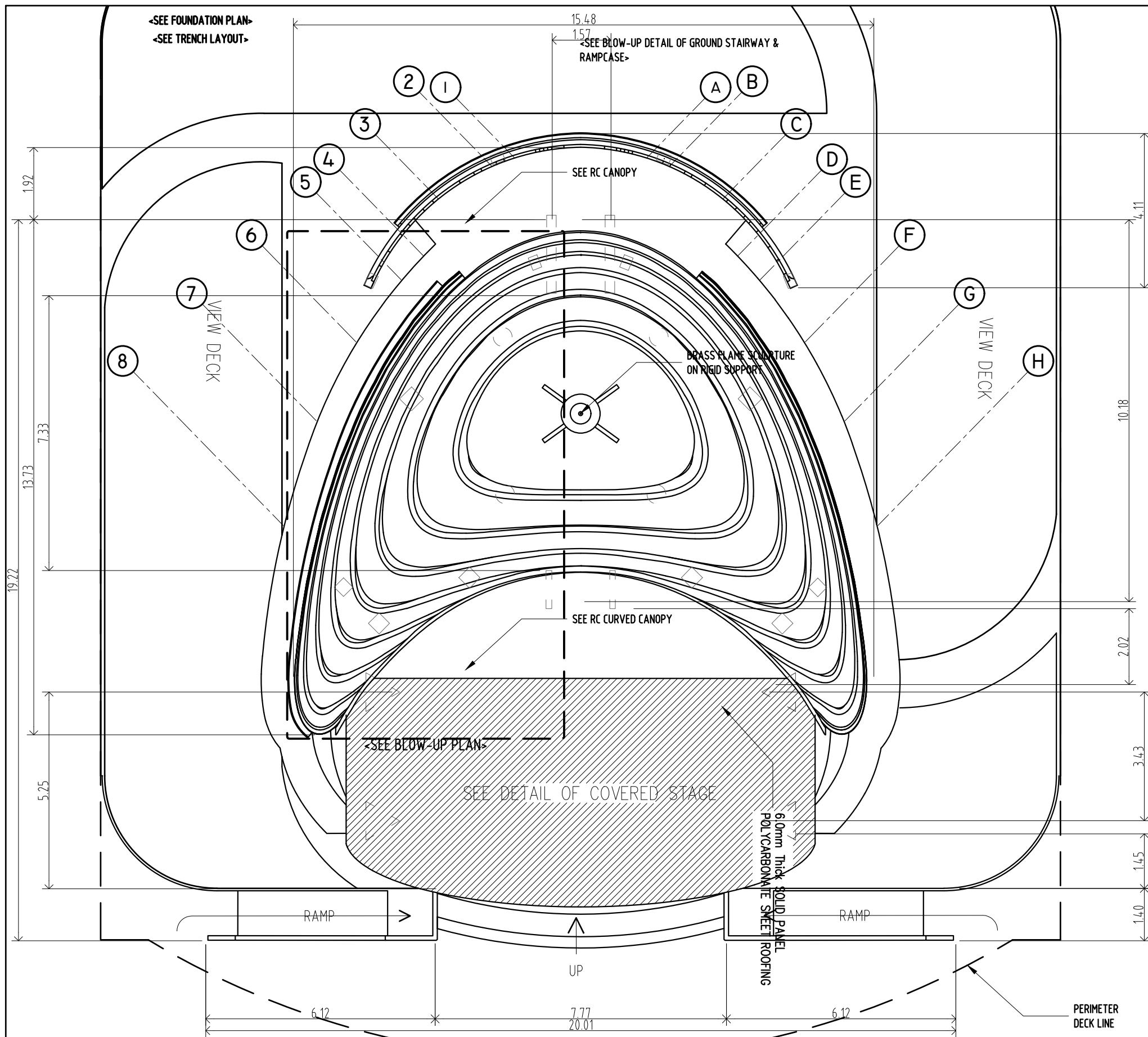


A SECOND FLOOR PLAN
 1/1 SCALE 1: 150 M

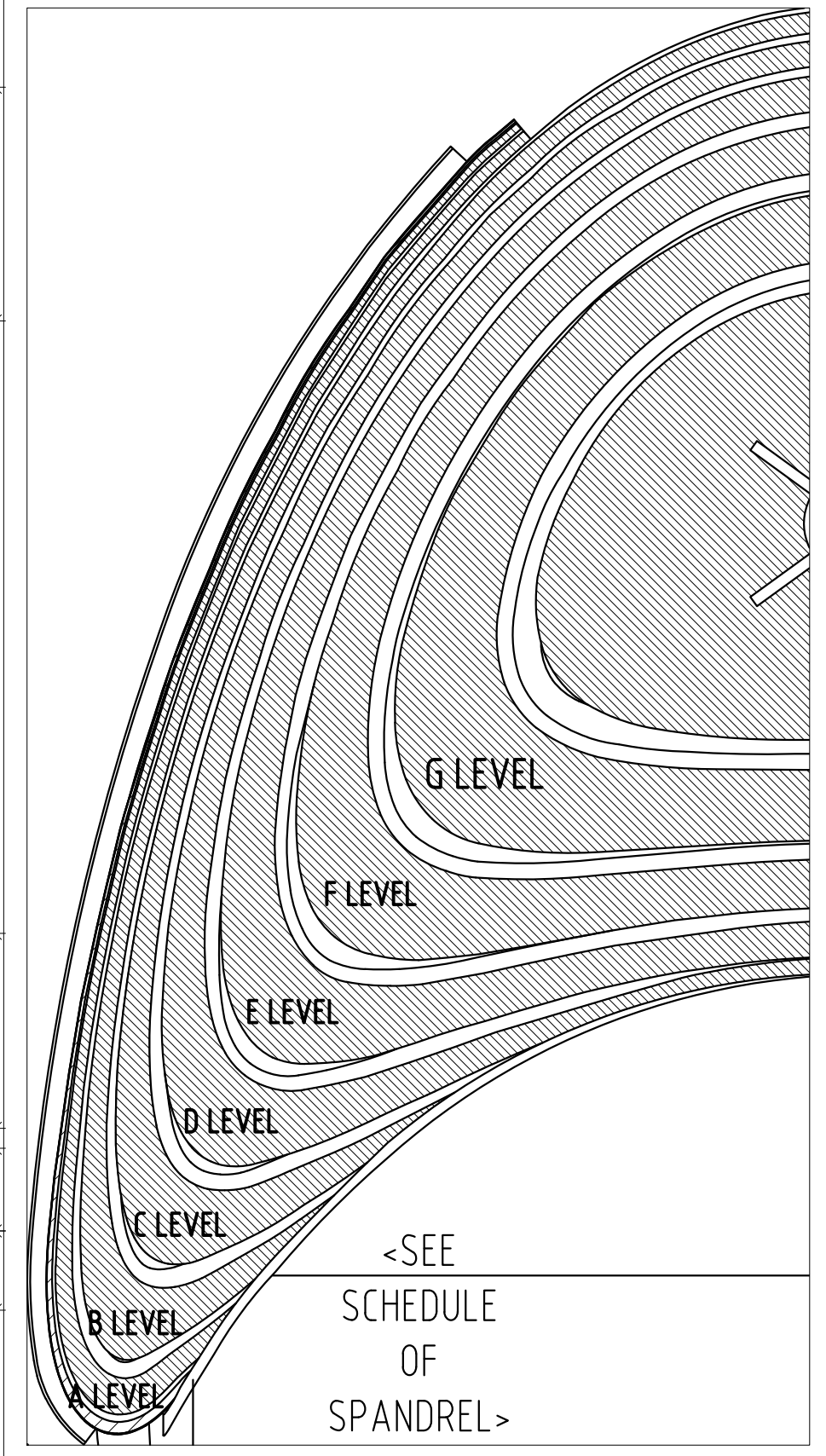
TIN : 930-953-275	Design & Seal	Project Title :	Checked by:	Noted by:	Approved by:	Sheet Contents	Designed by : ELVON	<div style="border: 1px solid black; border-radius: 50%; padding: 5px; display: inline-block;"> A5 25 SHEET NO. 05 66 </div>
PRC : 0018370	ELVIN A. CABAÑERO ARCHITECT II	"PROPOSED" CENTENNIAL TWO-STOREY LANDMARK BUILDING PROJECT	ENGR. MARCELO T. ABRERA Jr. PFPDM	Dr. DANIEL LESLIE S. TAN OMPF	Dr. EDGARDO E. TULIN VSU PRESIDENT	SECOND FLOOR PLAN	CAD by : ELVON	
PIR : 3695759		LOCATION : ERGY, PANGASUGAN, UPPER CAMPUS, VSU, BAYBAY CITY.				Date Started : Oct '22		
Date : 20 JANUARY 2021						Date Finished : Apr '23		
PL. ISS. : JAWER, LEYIE						Revision : 6.20		



TIN : 930-953-275	Design & Seal	Project Title :	Checked by:	Noted by:	Approved by:	Sheet Contents	Designed by : ELVON	<div style="border: 1px solid black; padding: 5px; display: inline-block;"> A6 25 SHEET NO. 06 66 </div>
PRC : 0018370	ELVIN A. CABAÑERO ARCHITECT II	"PROPOSED" CENTENNIAL TWO-STORY LANDMARK BUILDING PROJECT	ENGR. MARCELO T. ABRERA Jr. PPDMO	Dr. DANIEL LESLIE S. TAN OMPF	Dr. EDGARDO E. TULIN VSU PRESIDENT	REFLECTED CEILING PLAN	CAD by : ELVON	
PTR : 3695759		LOCATION : ERGY. PANGSUGAN, UPPER CAMPUS, VSU, BAYBAY CITY.				Date Started : Oct '22	Date Finished : Apr '23	
Date : 20 JANUARY 2021						Revision : 3.65		
PL. ISS. : JAWER, LEYIE								



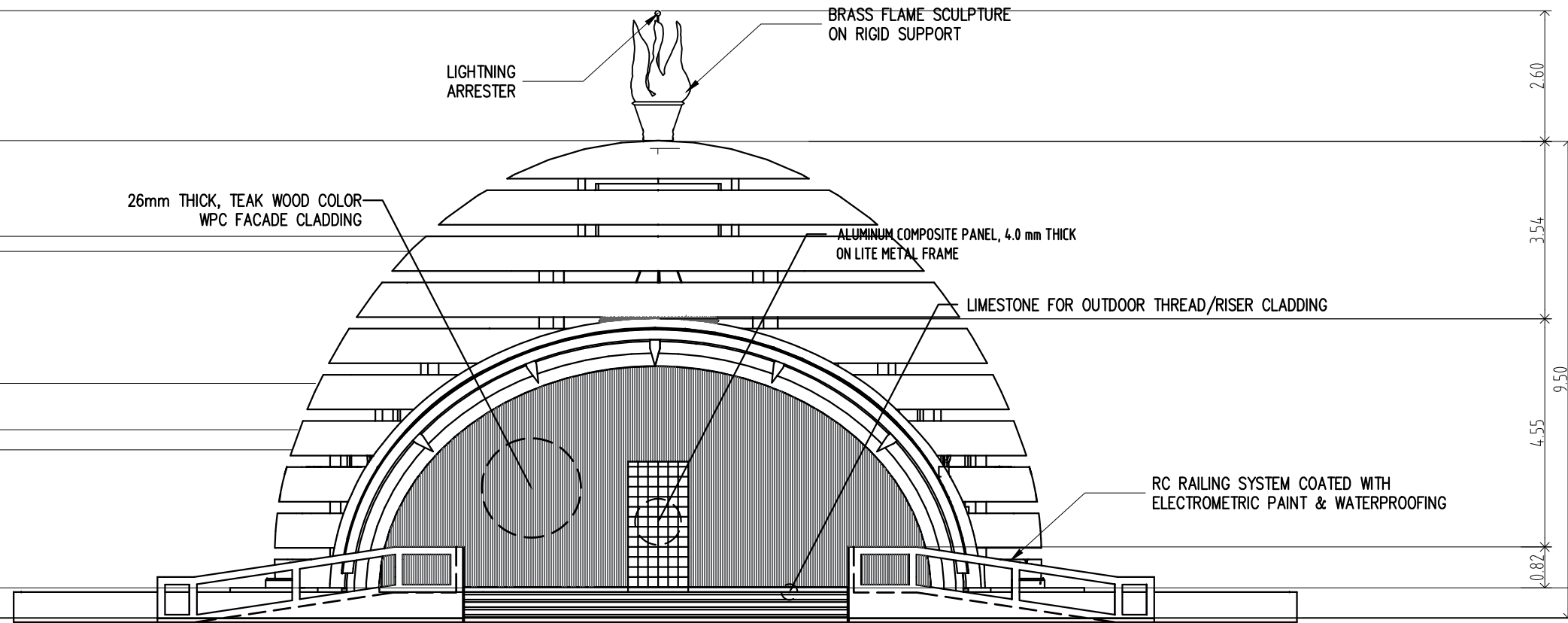
A ROOF PLAN
1/2 SCALE 1: 150 M



A BLOW-UP PLAN OF RP-01
2/2 SCALE 1: 80 M

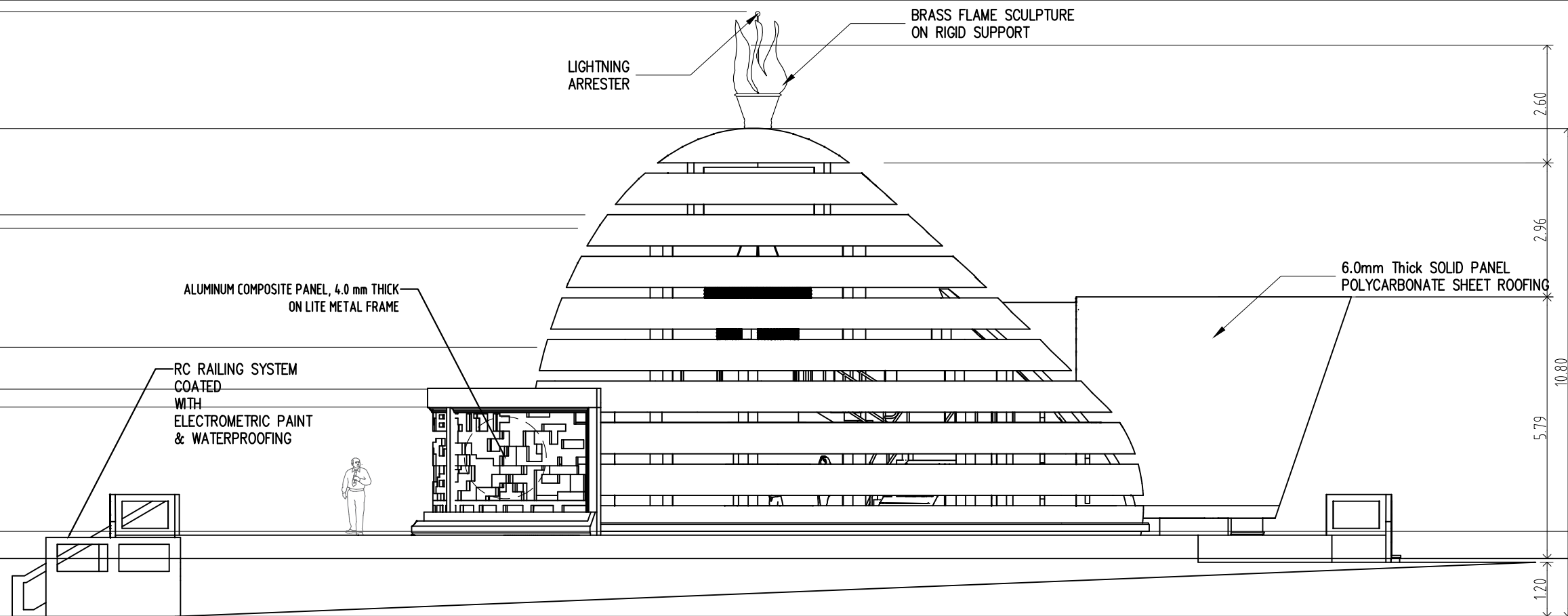
TIN : 930-953-275 PRC : 0018370 PTR : 3695759 Date : 20 JANUARY 2021 PL. ISS. : JAWER, LEYIE	Design & Seal ELVIN A. CABAÑERO ARCHITECT II	Project Title : "PROPOSED" CENTENNIAL TWO-STORY LANDMARK BUILDING PROJECT LOCATION : ERGY, PANGASUGAN, UPPER CAMPUS, VSU, BAYBAY CITY.	Checked by: ENGR. MARCELO T. ABRERA Jr. PFPDM	Noted by: Dr. DANIEL LESLIE S. TAN OPPF	Approved by: Dr. EDGARDO E. TULIN VSU PRESIDENT	Sheet Contents ROOF PLAN BLOW-UP PLAN OF RP-01	Designed by : ELVON CAD by : ELVON Date Started : Oct '22 Date Finished : Apr '23 Revision : 6.20	A7 25 SHEET NO. 07 66
--	---	---	--	--	--	--	---	---

ELEVATION @ ± 12.49 METERS
 TOP OF PINNACLE LINE
 TOP OF APEX LINE
 ELEVATION @ ± 9.91 METERS
 TOP OF RC BEAM HEIGHT LINE
 ELEVATION @ ± 8.00 METERS
 BOTTOM OF RC BEAM HEIGHT LINE
 ELEVATION @ ± 7.70 METERS
 FINISHED FLOOR LINE
 ELEVATION @ ± 5.07 METERS
 TOP OF THE RAILING LINE
 ELEVATION @ ± 4.14 METERS
 UPPER CEILING HEIGHT LINE
 ELEVATION @ ± 3.74 METERS
 ELEVATION @ ± 0.99 METERS
 FINISHED FLOOR LINE
 ELEVATION @ ± 0.0 METERS
 UPPER SLOPED GROUND LINE



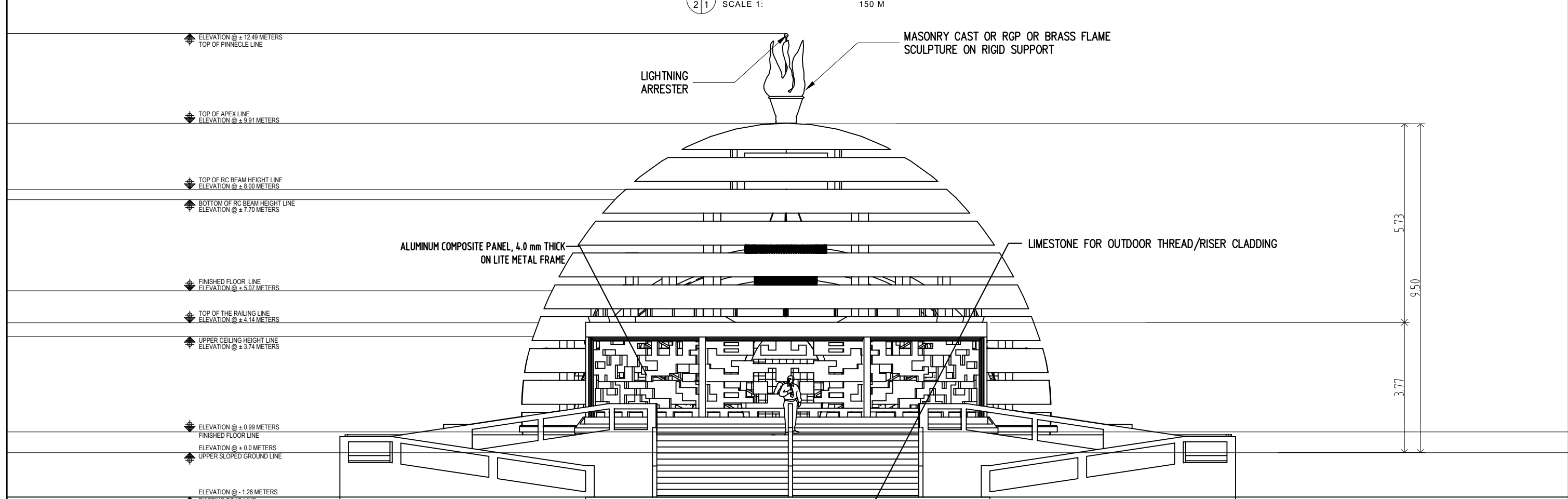
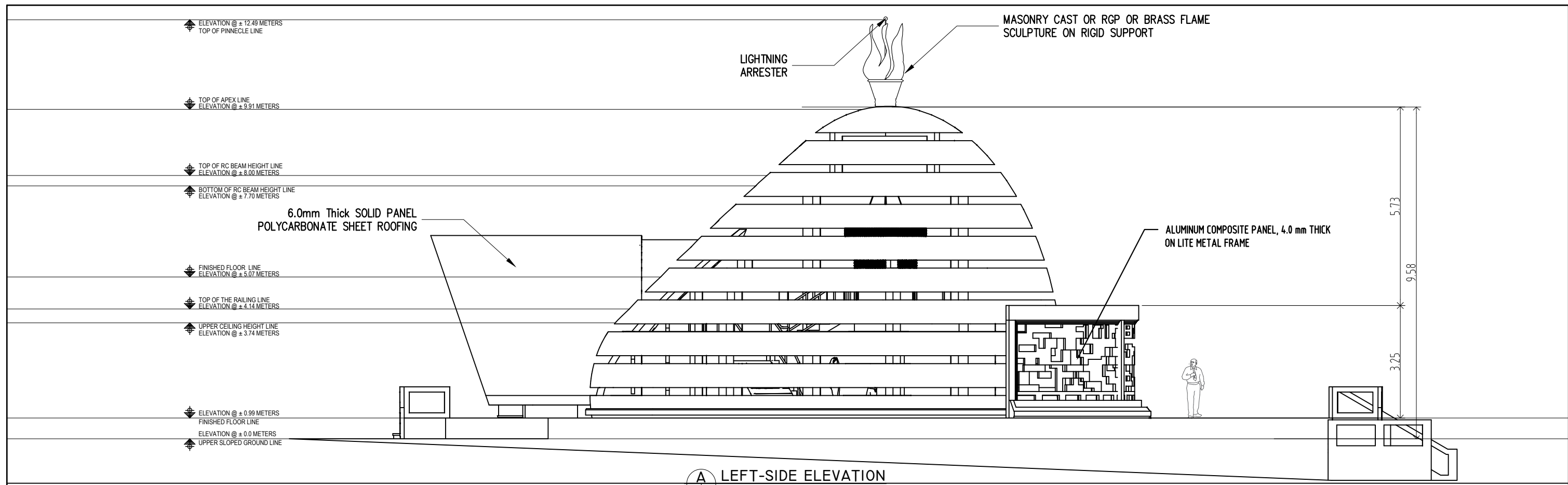
A FRONT ELEVATION
 SCALE 1: 150 M

ELEVATION @ ± 12.49 METERS
 TOP OF PINNACLE LINE
 TOP OF APEX LINE
 ELEVATION @ ± 9.91 METERS
 TOP OF RC BEAM HEIGHT LINE
 ELEVATION @ ± 8.00 METERS
 BOTTOM OF RC BEAM HEIGHT LINE
 ELEVATION @ ± 7.70 METERS
 FINISHED FLOOR LINE
 ELEVATION @ ± 5.07 METERS
 TOP OF THE RAILING LINE
 ELEVATION @ ± 4.14 METERS
 UPPER CEILING HEIGHT LINE
 ELEVATION @ ± 3.74 METERS
 ELEVATION @ ± 0.99 METERS
 FINISHED FLOOR LINE
 ELEVATION @ ± 0.0 METERS
 UPPER SLOPED GROUND LINE
 ELEVATION @ - 1.28 METERS
 EXISTING ROAD LINE

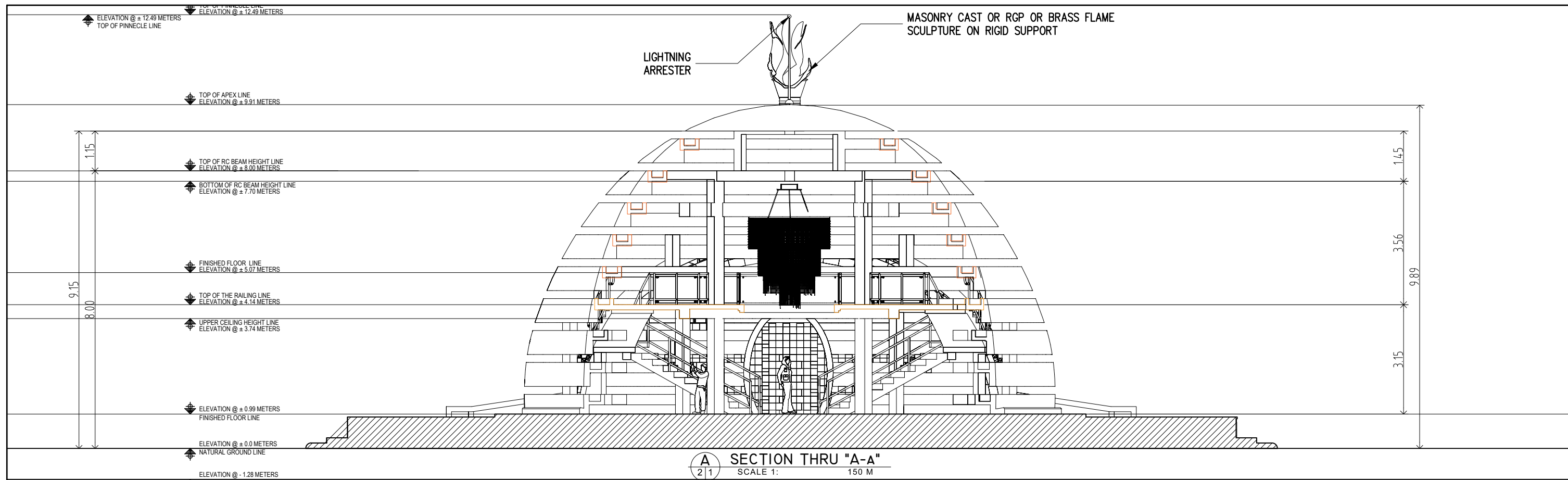


A RIGHT-SIDE ELEVATION
 SCALE 1: 150 M

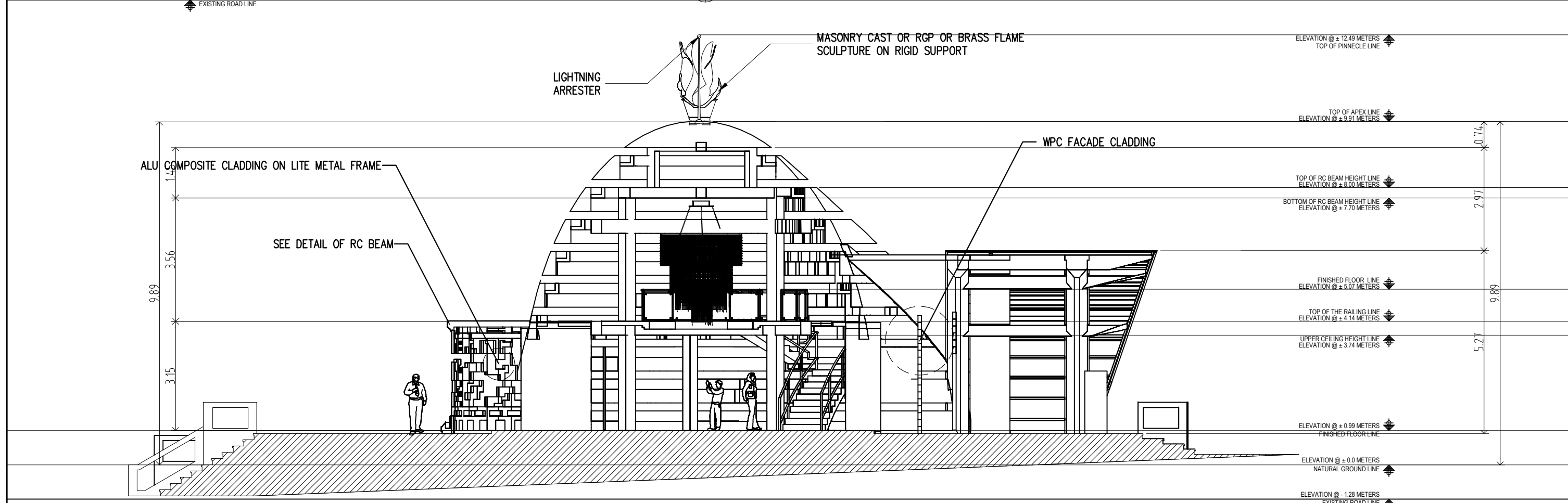
TIN : 930-953-275	Design & Seal	Project Title :	Checked by:	Noted by:	Approved by:	Sheet Contents	Designed by : ELVON	<div style="border: 1px solid black; border-radius: 50%; width: 40px; height: 40px; display: flex; align-items: center; justify-content: center;"> A8 25 </div> SHEET NO. <div style="border: 1px solid black; border-radius: 50%; width: 40px; height: 40px; display: flex; align-items: center; justify-content: center;"> 08 66 </div>
PRC : 0018370	ELVIN A. CABAÑERO ARCHITECT II	"PROPOSED" CENTENNIAL TWO-STORY LANDMARK BUILDING PROJECT LOCATION : ERGY. PANGASUGAN, UPPER CAMPUS, VSU, BAYBAY CITY.	ENGR. MARCELO T. ABRERA Jr. PFPDMO	Dr. DANIEL LESLIE S. TAN O/P/PF	Dr. EDGARDO E. TULIN VSU PRESIDENT	ELEVATIONS	CAD by : ELVON	
PIR : 3695759						Date Started : Oct '22		
Date : 20 JANUARY 2021						Date Finished : Apr '23		
PL. ISS. : JAWER, LEYTE						Revision : 6.20		



TIN : 930-953-275	Design & Seal	Project Title :	Checked by:	Noted by:	Approved by:	Sheet Contents	Designed by : ELVON	<div style="border: 1px solid black; border-radius: 50%; padding: 5px; display: inline-block;"> A9 25 SHEET NO. 09 66 </div>
PRC : 0018370	ELVIN A. CABAÑERO ARCHITECT II	"PROPOSED" CENTENNIAL TWO-STORY LANDMARK BUILDING PROJECT	ENGR. MARCELO T. ABRERA Jr.	Dr. DANIEL LESLIE S. TAN	Dr. EDGARDO E. TULIN	ELEVATIONS	CAD by : ELVON	
PIR : 3695759						Date Started : Oct '22		
Date : 20 JANUARY 2021						Date Finished : Apr '23		
PL. ISS. : JAWER, LEYTE						Revision : 6.20		
		LOCATION : ERGY, PANGASUGAN, UPPER CAMPUS, VSU, BAYBAY CITY.	FIPMO	OPPF	VSU PRESIDENT			

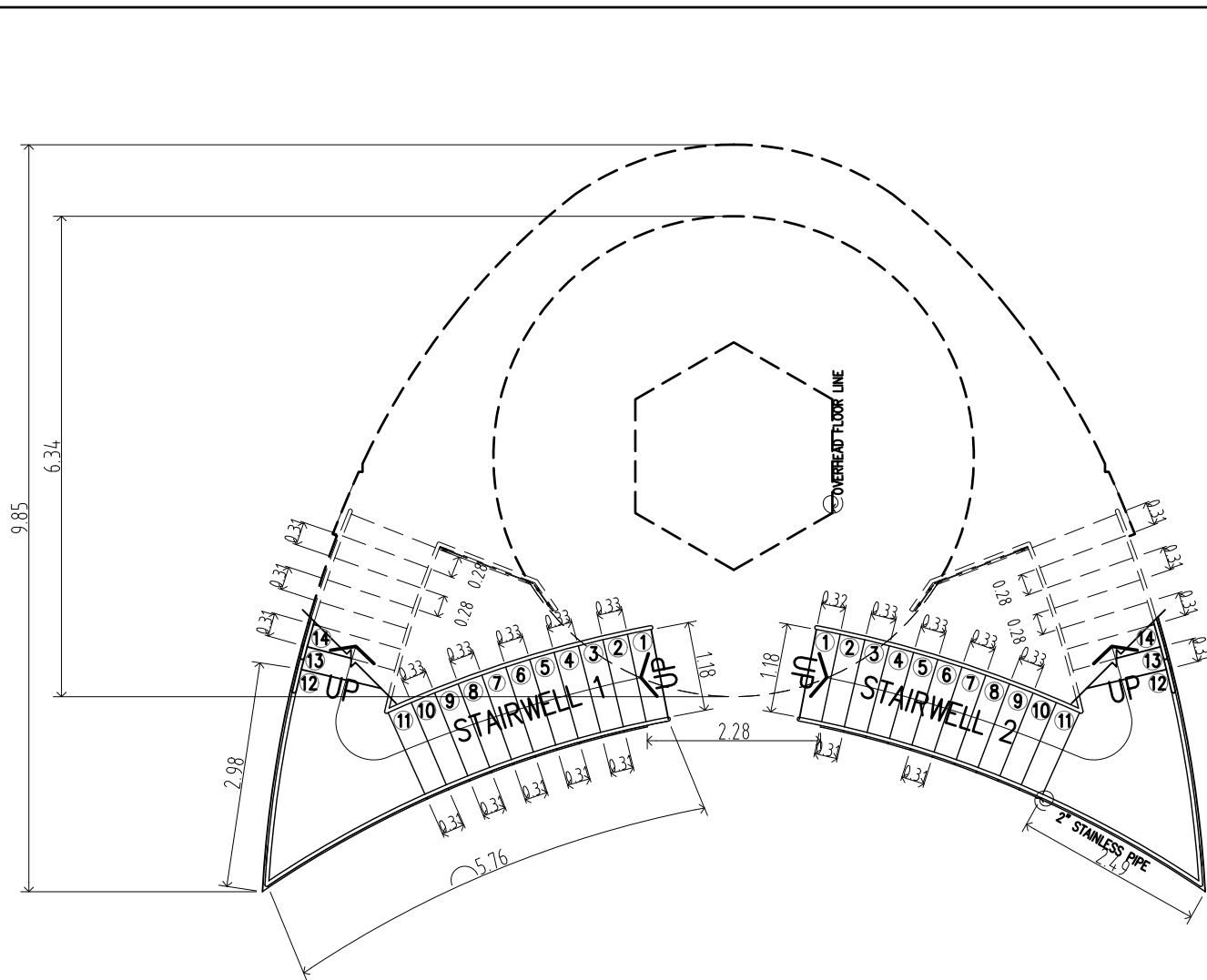


A SECTION THRU "A-A"
2/1 SCALE 1: 150 M

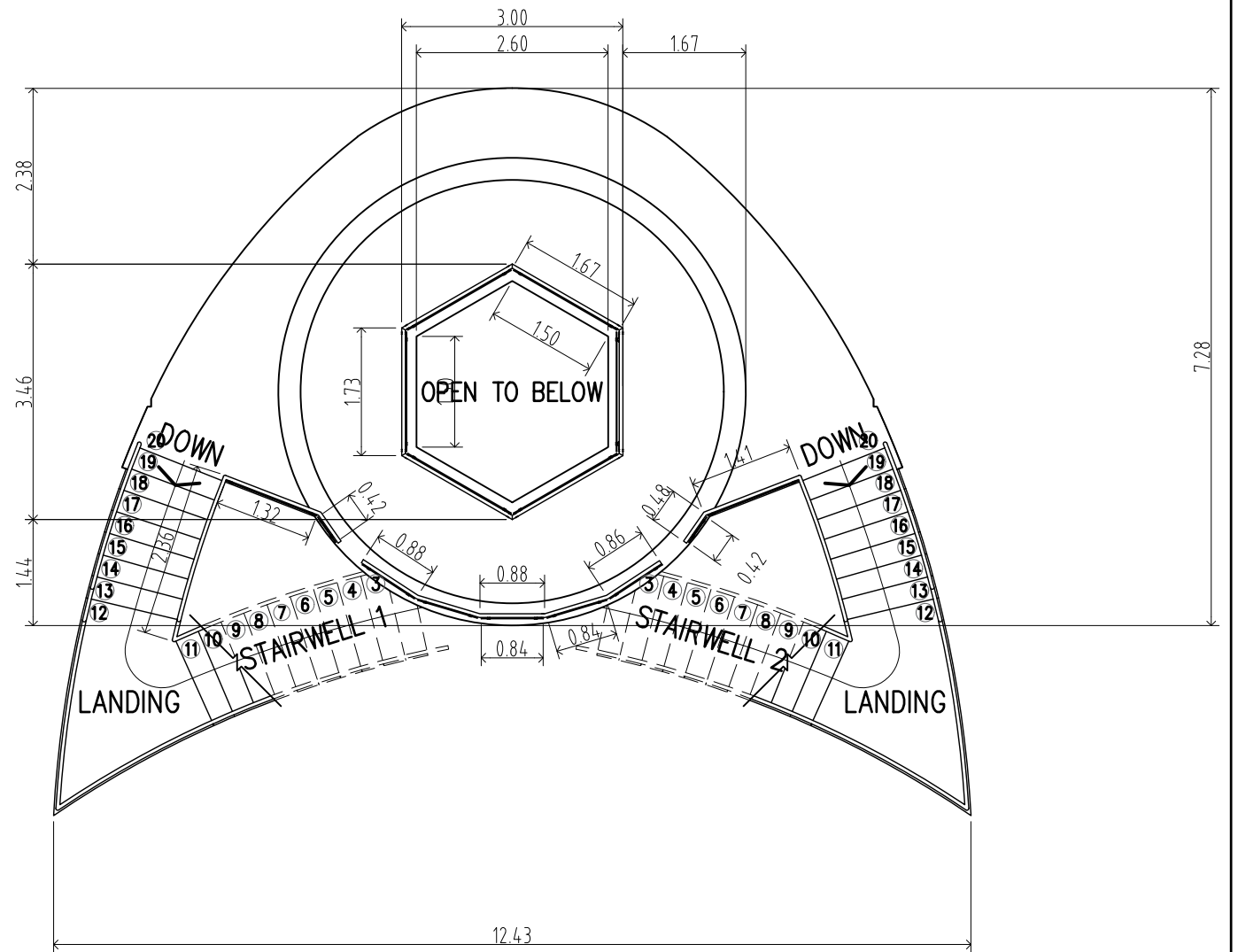


A SECTION THRU "B-B"
2/1 SCALE 1: 150 M

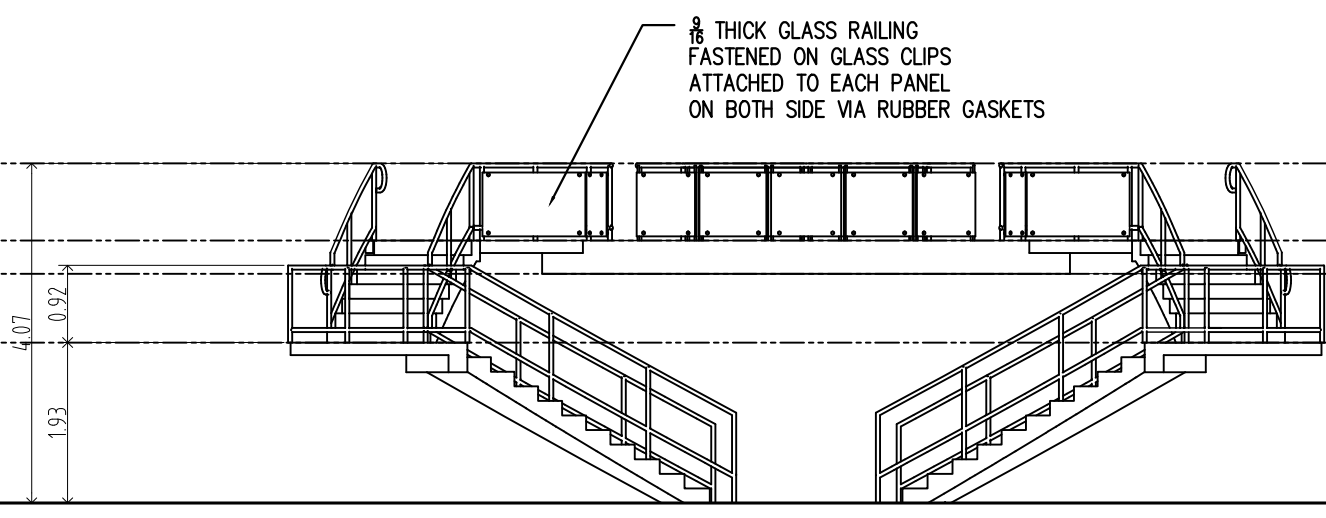
TIN : 930-953-275	Design & Seal	Project Title :	Checked by:	Noted by:	Approved by:	Sheet Contents	Designed by : ELVON	<div style="border: 1px solid black; border-radius: 50%; width: 40px; height: 40px; display: flex; align-items: center; justify-content: center;"> A10 25 </div> SHEET NO. <div style="border: 1px solid black; border-radius: 50%; width: 40px; height: 40px; display: flex; align-items: center; justify-content: center;"> 10 66 </div>
PRC : 0018370	ELVIN A. CABAÑERO ARCHITECT II	"PROPOSED" CENTENNIAL TWO-STOREY LANDMARK BUILDING PROJECT LOCATION : ERGY. PANGASUGAN, UPPER CAMPUS, VSU, BAYBAY CITY.	ENGR. MARCELO T. ABRERA Jr. RIPMO	Dr. DANIEL LESLIE S. TAN OPWF	Dr. EDGARDO E. TULIN VSU PRESIDENT	SECTIONS THRU "A-A"	CAD by : ELVON	
PTR : 3695759						Date Started : Oct '22		
Date : 20 JANUARY 2021						Date Finished : Apr '23		
PL. ISS. : JAWER, LEYTE						Revision : 6.20		



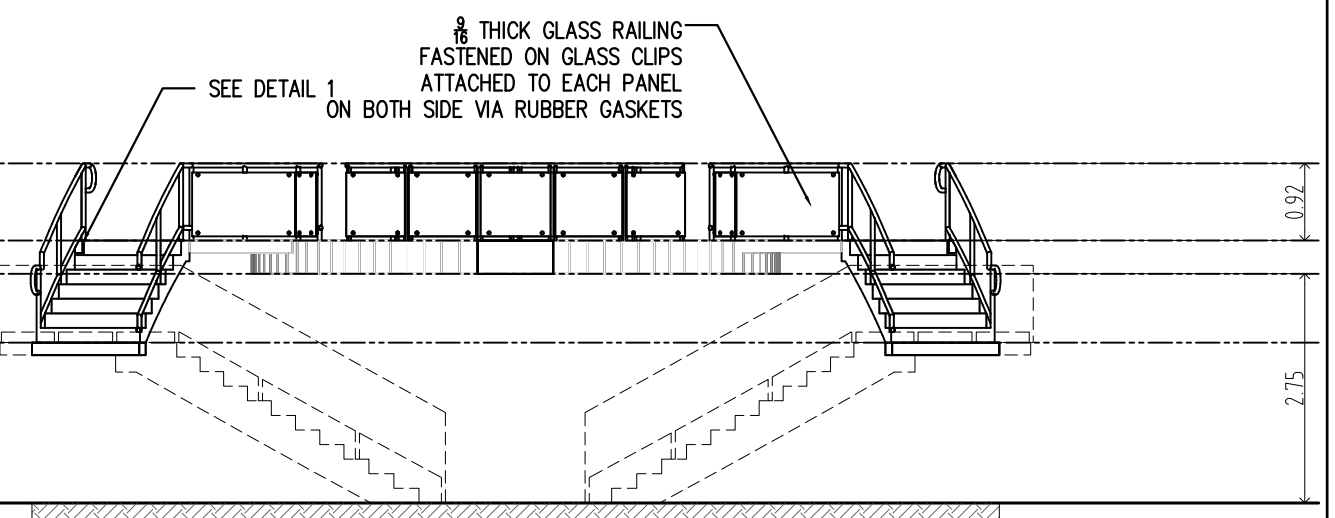
GROUND FLOOR LEVEL
BLOW-UP PLAN OF STAIRWELL
 SCALE 1: 12M



SECOND FLOOR LEVEL
BLOW-UP PLAN OF STAIRWELL
 SCALE 1: 12M

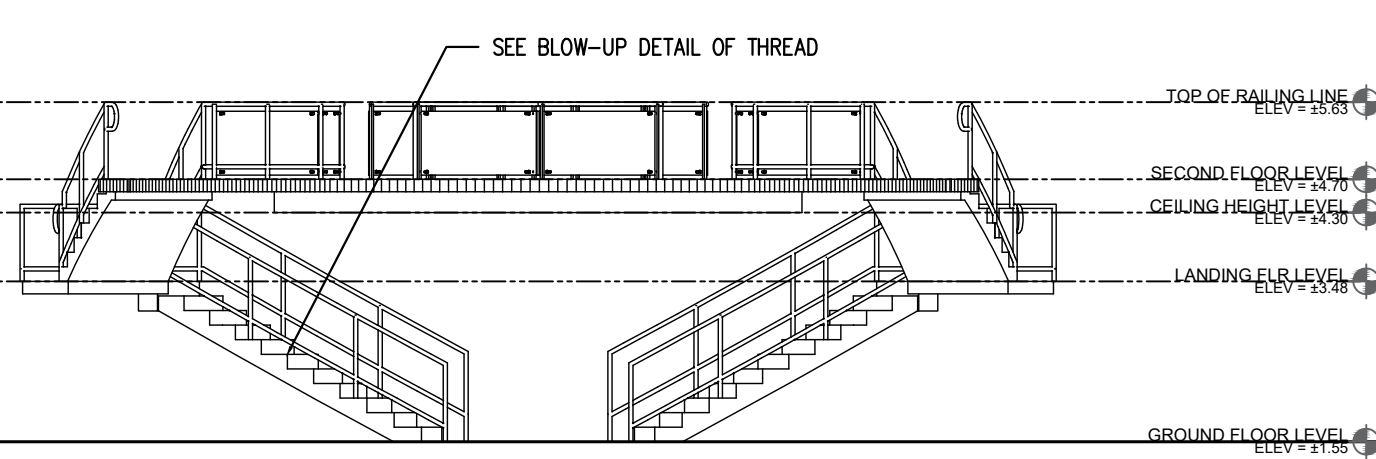


STAIRWELL
FRONT ELEVATION
 SCALE 1: 12M



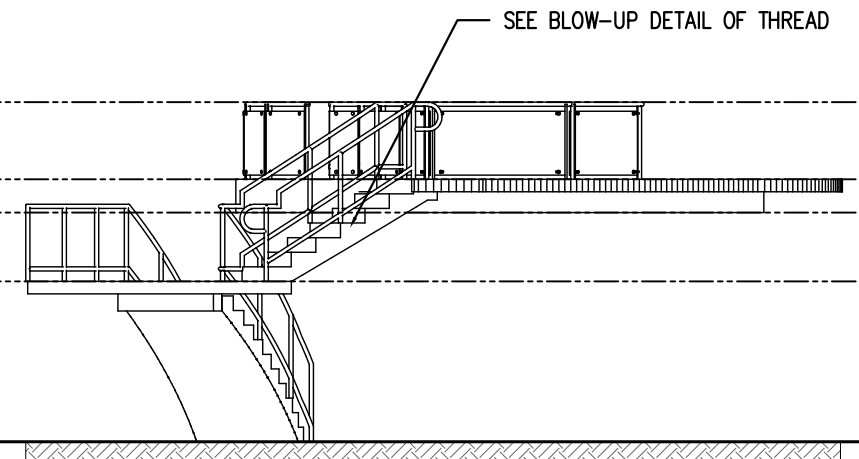
STAIRWELL
SECTION THRU "A-A"
 SCALE 1: 12M

TIN : 930-953-275	Design & Seal	Project Title :	Checked by:	Noted by:	Approved by:	Sheet Contents	Designed by : ELVON	<div style="border: 1px solid black; border-radius: 50%; width: 40px; height: 40px; display: flex; align-items: center; justify-content: center;"> A11 25 </div> <p style="text-align: center; margin: 0;">SHEET NO.</p> <div style="border: 1px solid black; border-radius: 50%; width: 40px; height: 40px; display: flex; align-items: center; justify-content: center;"> 11 66 </div> <p style="text-align: center; margin: 0;">Revision : 6.20</p>
PRC : 0018370	ELVIN A. CABAÑERO ARCHITECT II	"PROPOSED" CENTENNIAL TWO-STOREY LANDMARK BUILDING PROJECT LOCATION : ERGY. PANGASUGAN, UPPER CAMPUS, VSU, BAYBAY CITY.	ENGR. MARCELO T. ABRERA Jr. PFPDM	Dr. DANIEL LESLIE S. TAN OMPF	Dr. EDGARDO E. TULIN VSU PRESIDENT	STAIRWELL	CAD by : ELVON	
PIR : 3695759						Date Started : Oct '22		
Date : 20 JANUARY 2021						Date Finished : Apr '23		
PL. ISS. : JAWER, LEYIE								



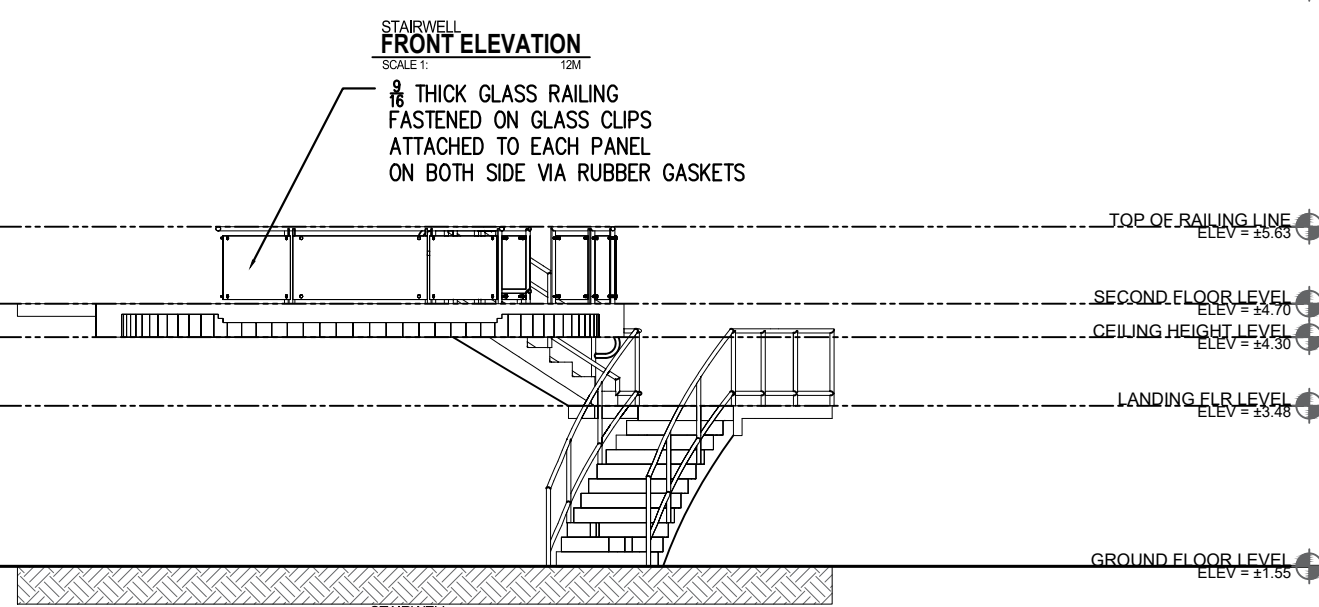
STAIRWELL
FRONT ELEVATION
SCALE 1: 12M

8 THICK GLASS RAILING
FASTENED ON GLASS CLIPS
ATTACHED TO EACH PANEL
ON BOTH SIDE VIA RUBBER GASKETS

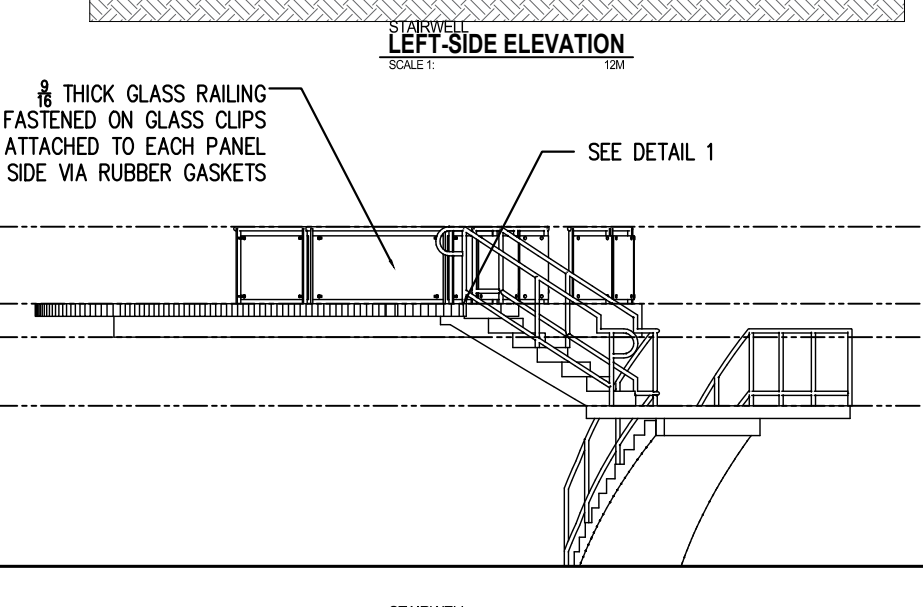


STAIRWELL
LEFT-SIDE ELEVATION
SCALE 1: 12M

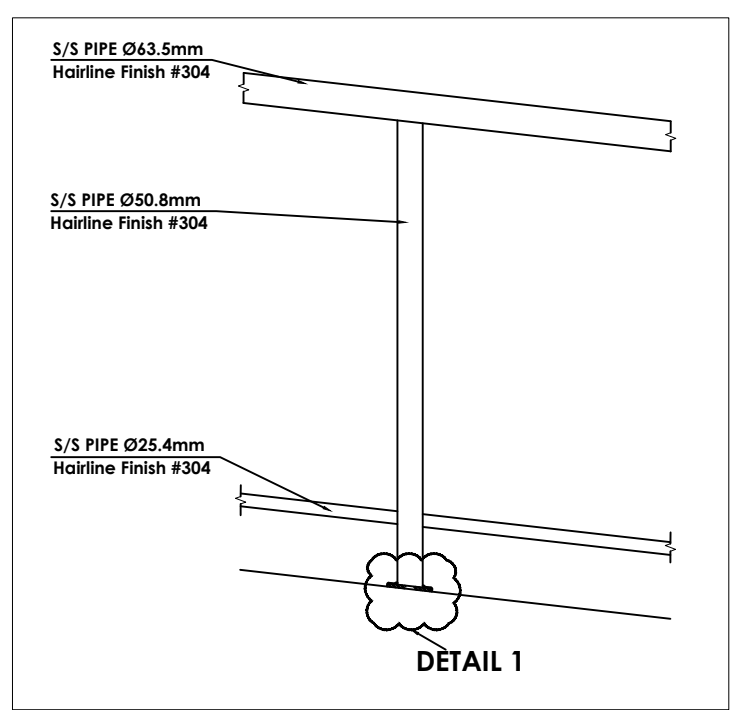
8 THICK GLASS RAILING
FASTENED ON GLASS CLIPS
ATTACHED TO EACH PANEL
ON BOTH SIDE VIA RUBBER GASKETS



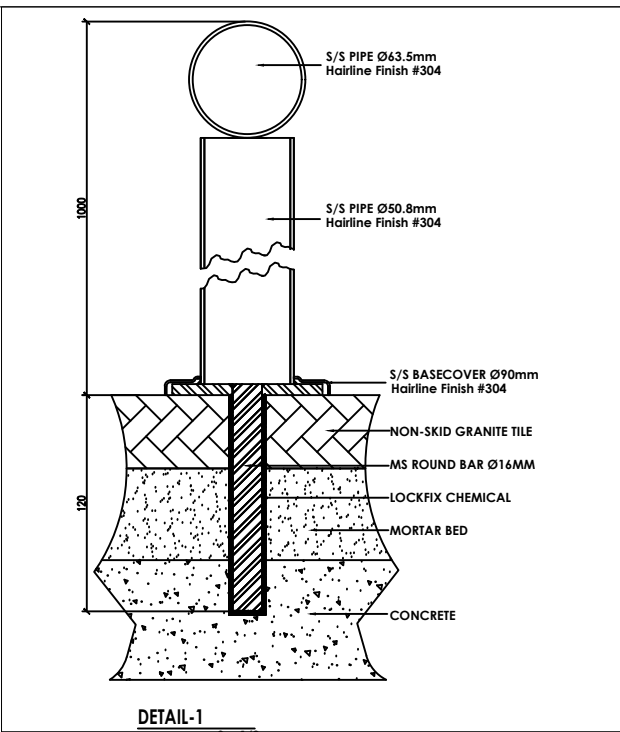
STAIRWELL
SECTION THRU "B-B"
SCALE 1: 12M



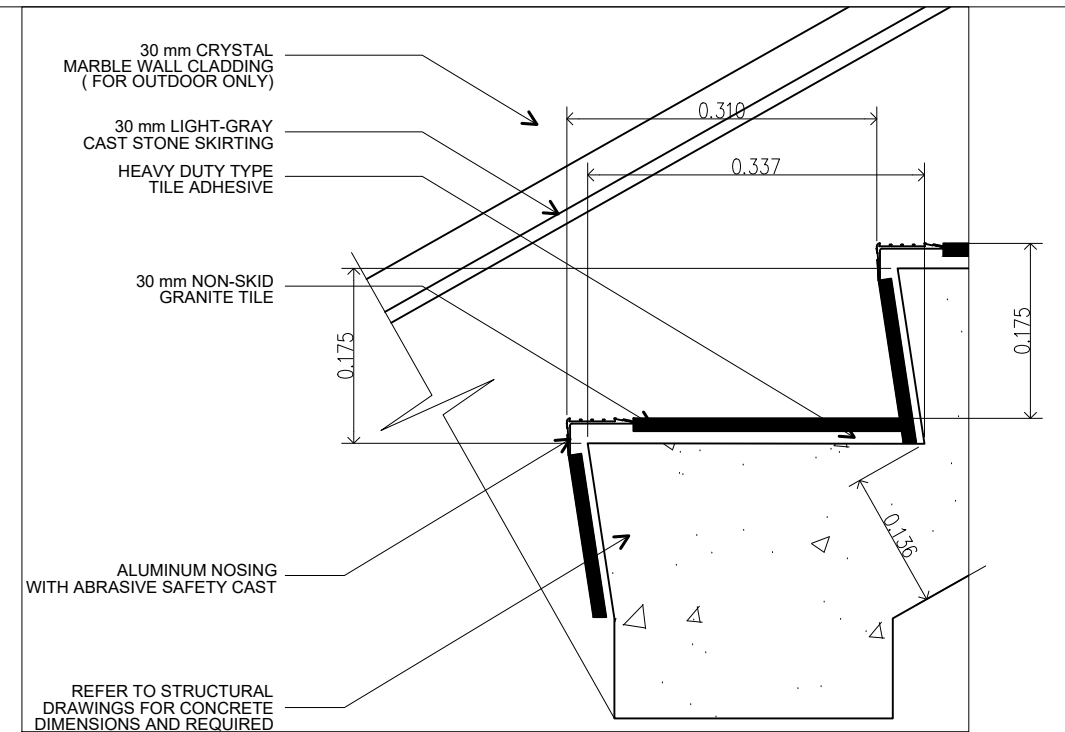
STAIRWELL
RIGHT-SIDE ELEVATION
SCALE 1: 12M



<INTERIOR STAIRWELL>
BLOW-UP DETAIL OF STAIRWAY
SCALE 1: 2M

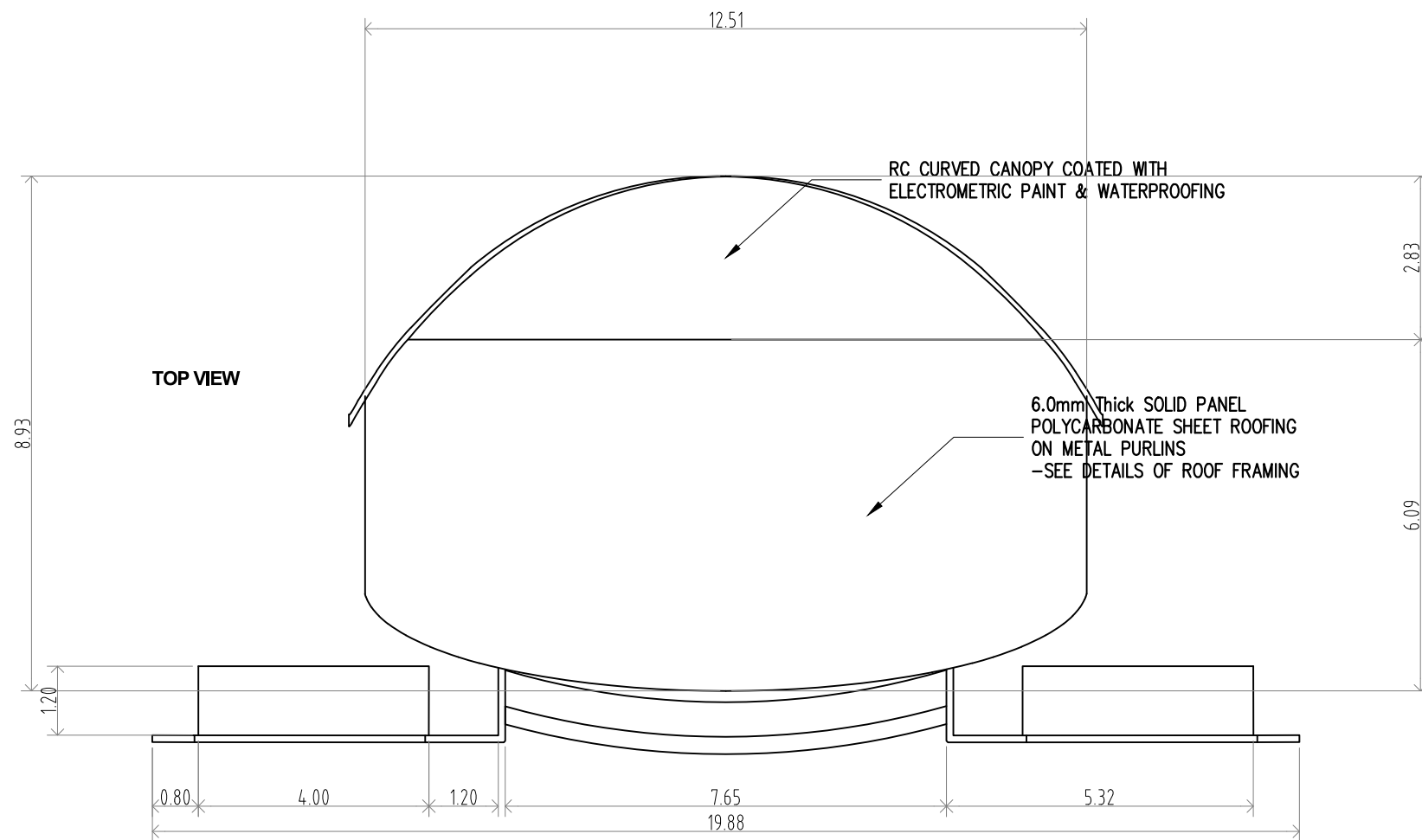
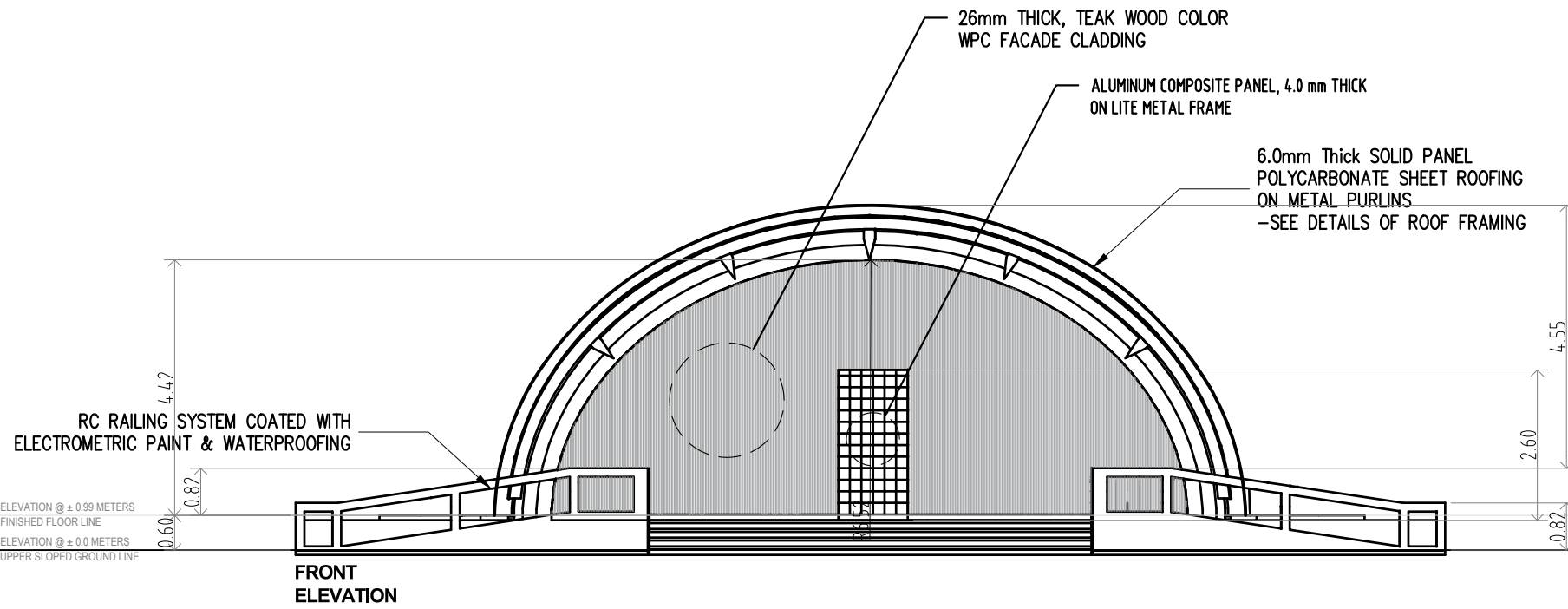


<INTERIOR STAIRWELL>
DETAIL 1

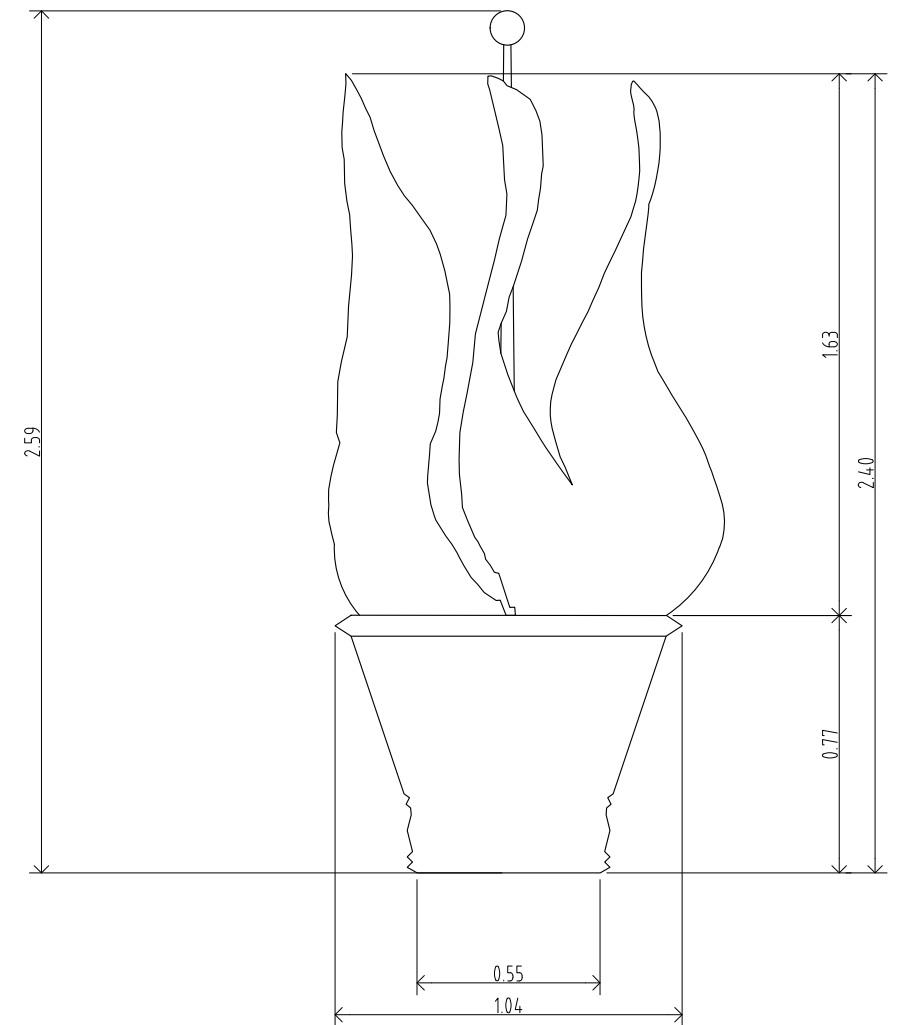


STAIRWELL
BLOW-UP DETAIL OF THREAD
SCALE 1: 2M

TIN : 930-953-275	Design & Seal	Project Title :	Checked by:	Noted by:	Approved by:	Sheet Contents	Designed by : ELVON	<div style="border: 1px solid black; border-radius: 50%; width: 40px; height: 40px; display: flex; align-items: center; justify-content: center;"> A12 25 </div>	
PRC : 0018370	ELVIN A. CABAÑERO ARCHITECT II	"PROPOSED" CENTENNIAL TWO-STORY LANDMARK BUILDING PROJECT LOCATION : ERGY, PANGASUGAN, UPPER CAMPUS, VSU, BAYBAY CITY.	ENGR. MARCELO T. ABRERA Jr. RFP/DMO	Dr. DANIEL LESLIE S. TAN O/PAF	Dr. EDGARDO E. TULIN VSU PRESIDENT	ELEVATIONS SECTION	CAD by : ELVON		SHEET NO.
PIR : 3695759						Date Started : Oct '22	12		
Date : 20 JANUARY 2021						Date Finished : Nov '22	66		
PL. ISS. : JAWER, LEYTE						Revision : 6.20			



A 1/2 **DETAIL OF FRONT STAGE**
SCALE 1: 15 M

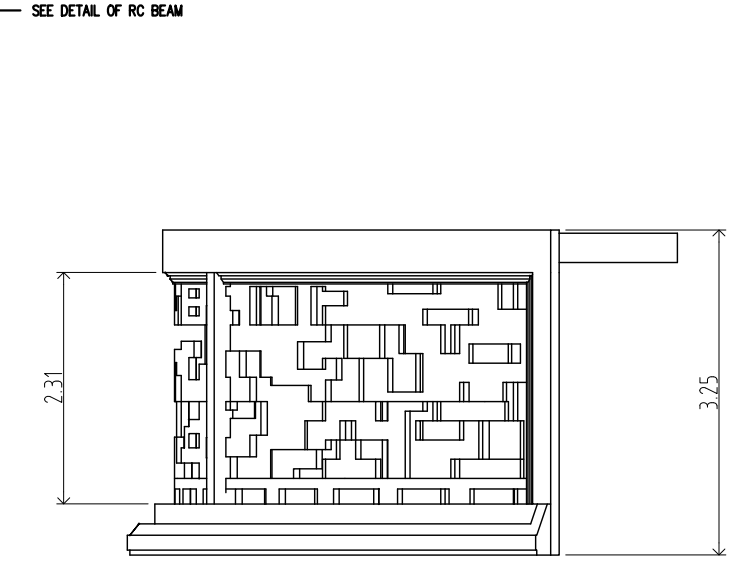
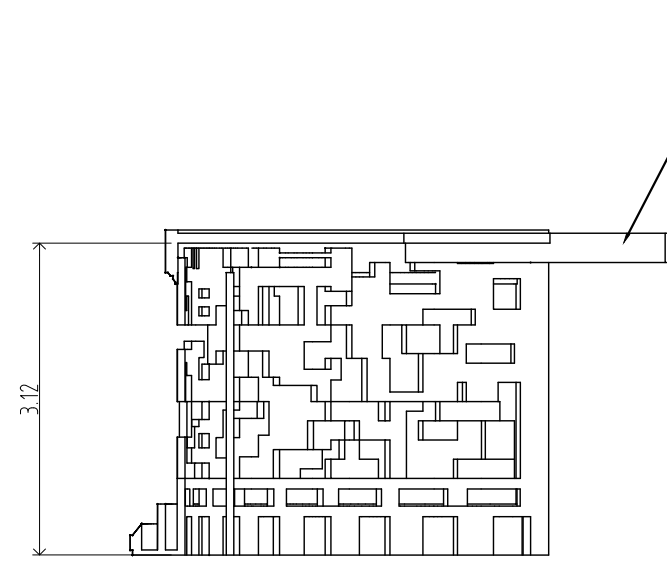
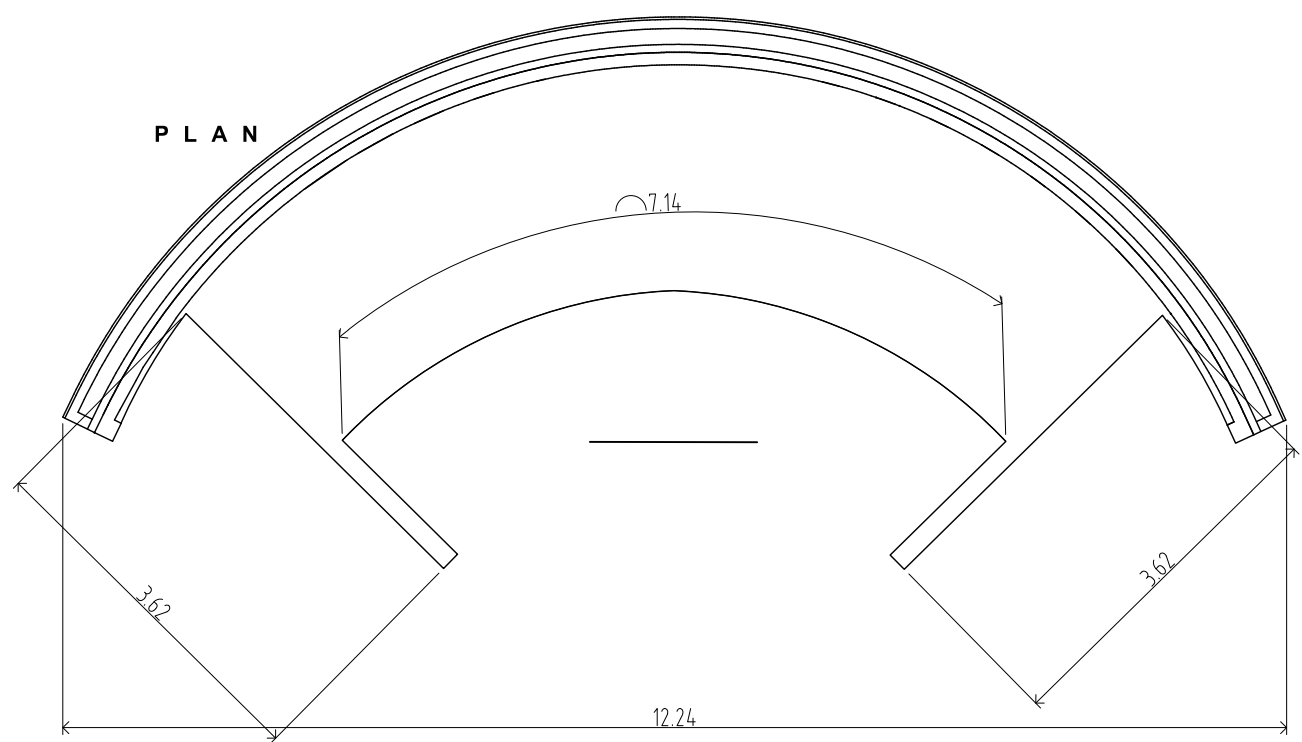
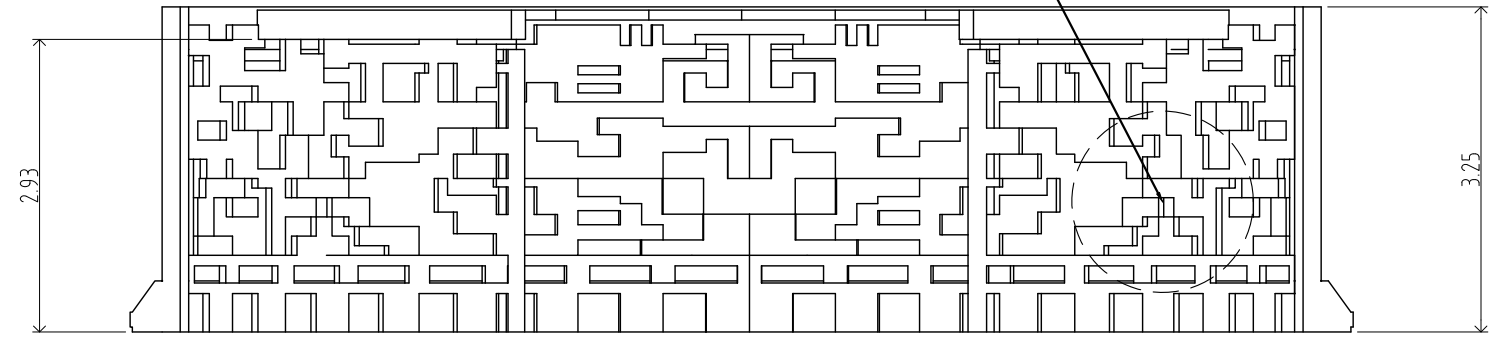
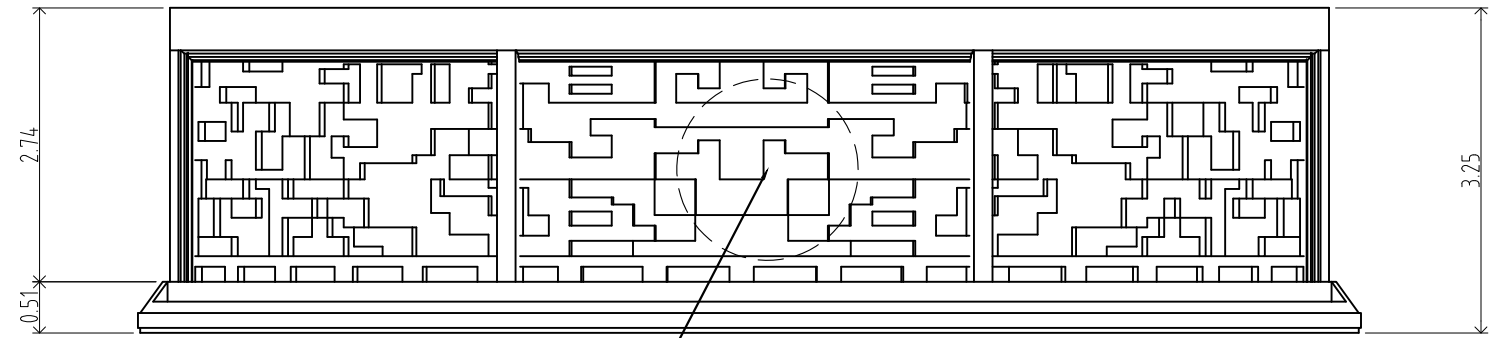
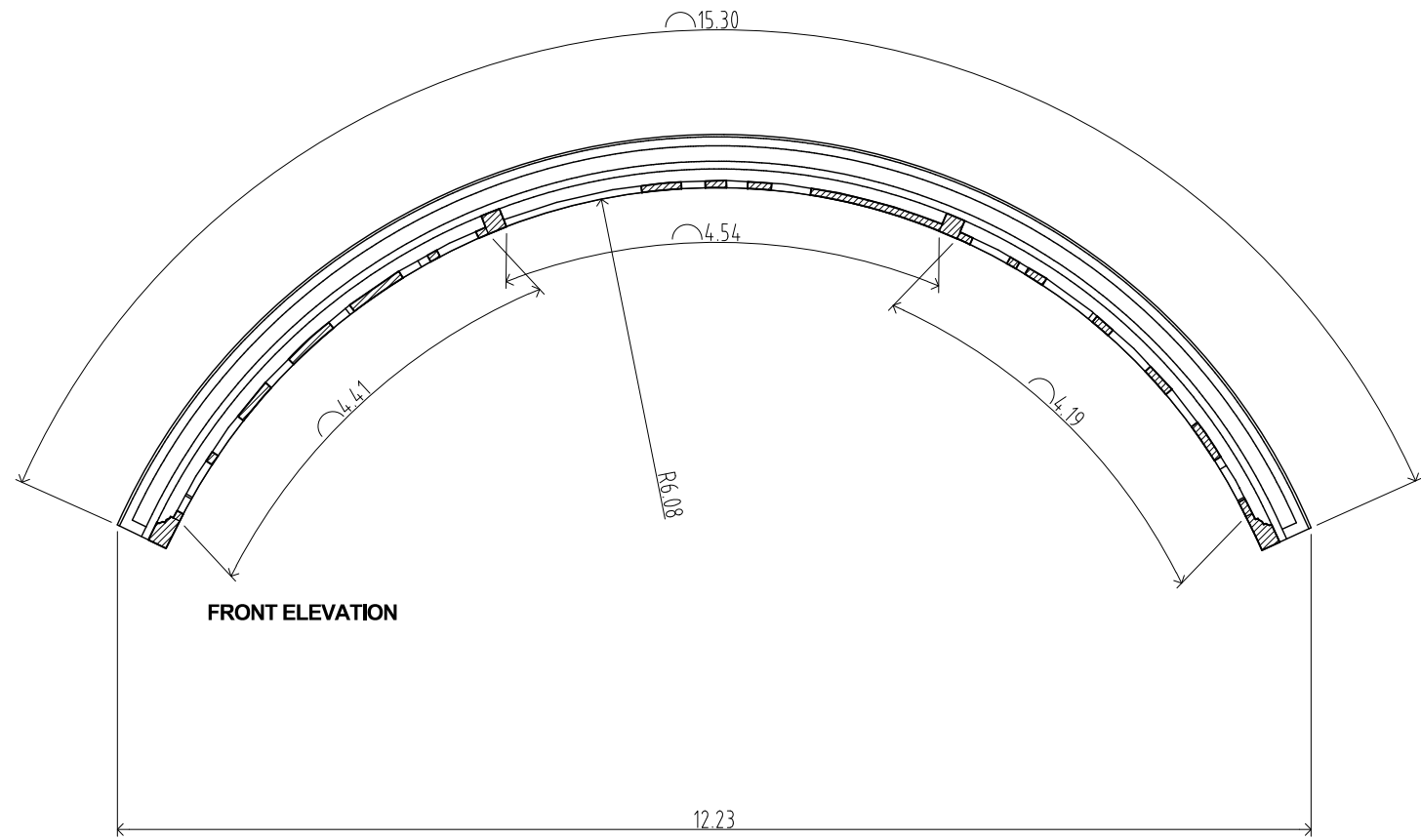


A 2/2 **DETAIL OF FLAME STATUE**
SCALE 1: 30 M

TIN : 930-953-275	Design & Seal	Project Title :	Checked by:	Noted by:	Approved by:	Sheet Contents	Designed by : ELVON
PRC : 0018370	ELVIN A. CABAÑERO ARCHITECT II	"PROPOSED" CENTENNIAL TWO-STOREY LANDMARK BUILDING PROJECT LOCATION : ERGY, PANGASUGAN, UPPER CAMPUS, VSU, BAYBAY CITY.	ENGR. MARCELO T. ABRERA Jr. RIPDMO	Dr. DANIEL LESLIE S. TAN OPPF	Dr. EDGARDO E. TULIN VSU PRESIDENT	DET OF FRONT STAGE	CAD by : ELVON
PTR : 3695759						Date Started : Oct '22	
Date : 20 JANUARY 2021						Date Finished : Apr '23	
PL. ISS. : JAWER, LEYIE						Revision : 6.20	

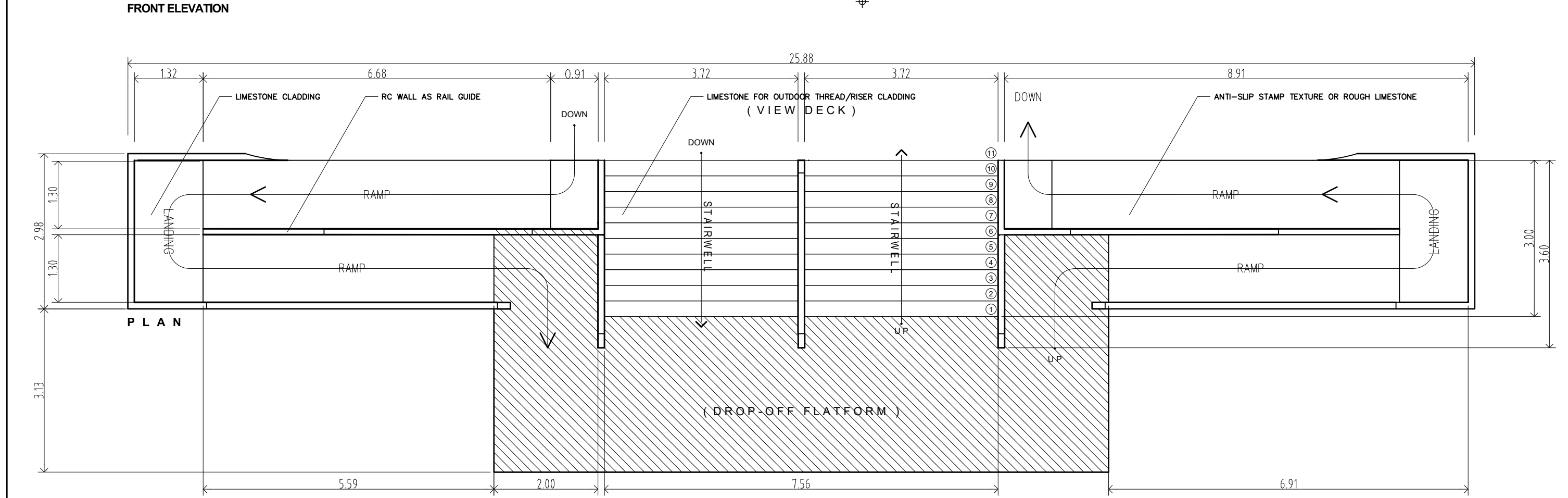
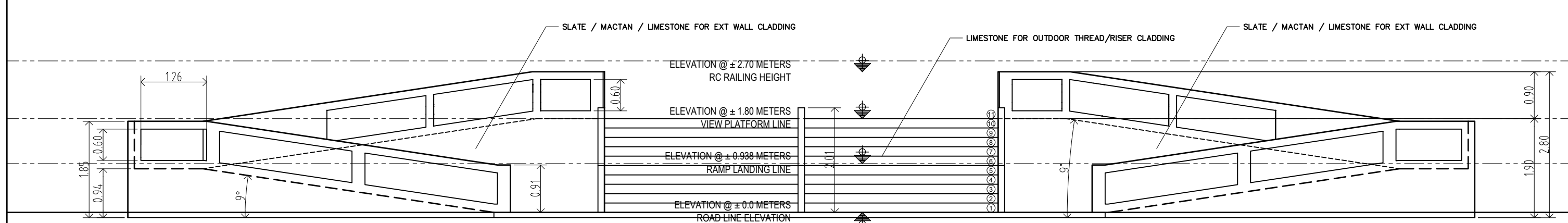
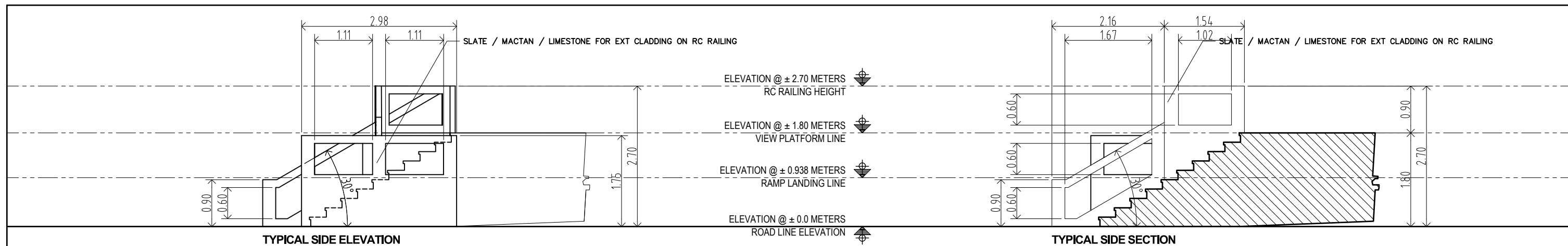
A13 25
SHEET NO.

13 64



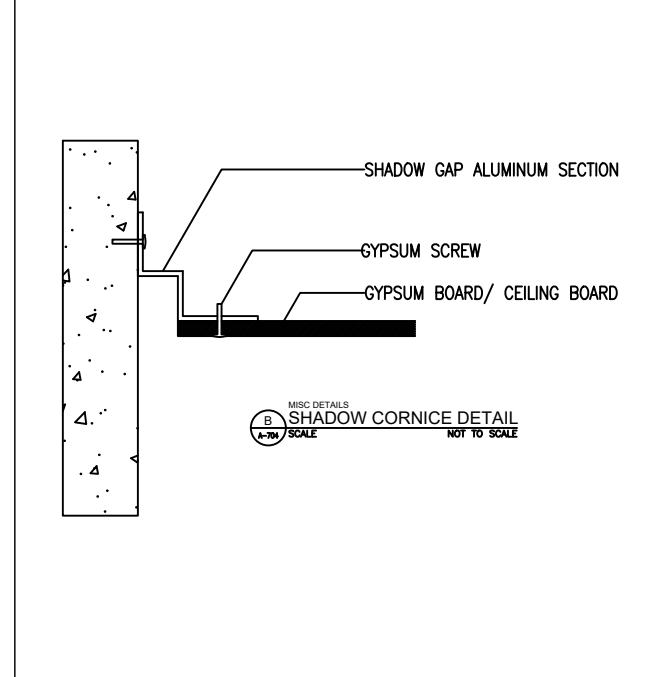
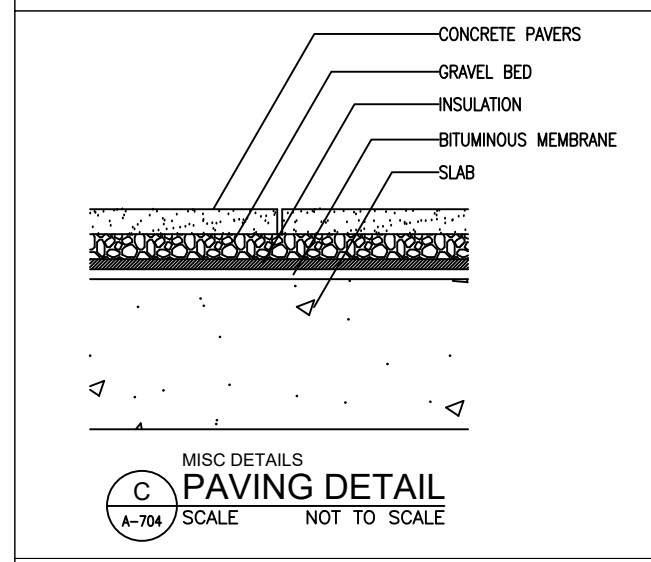
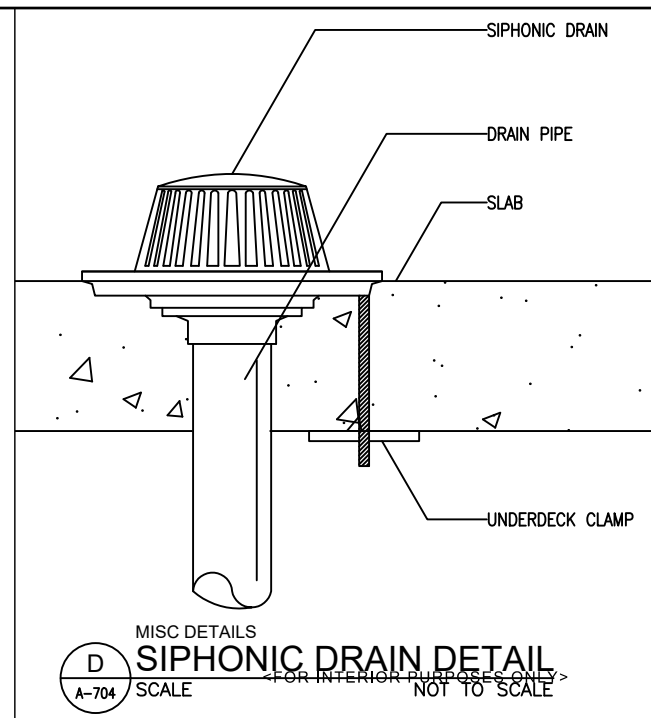
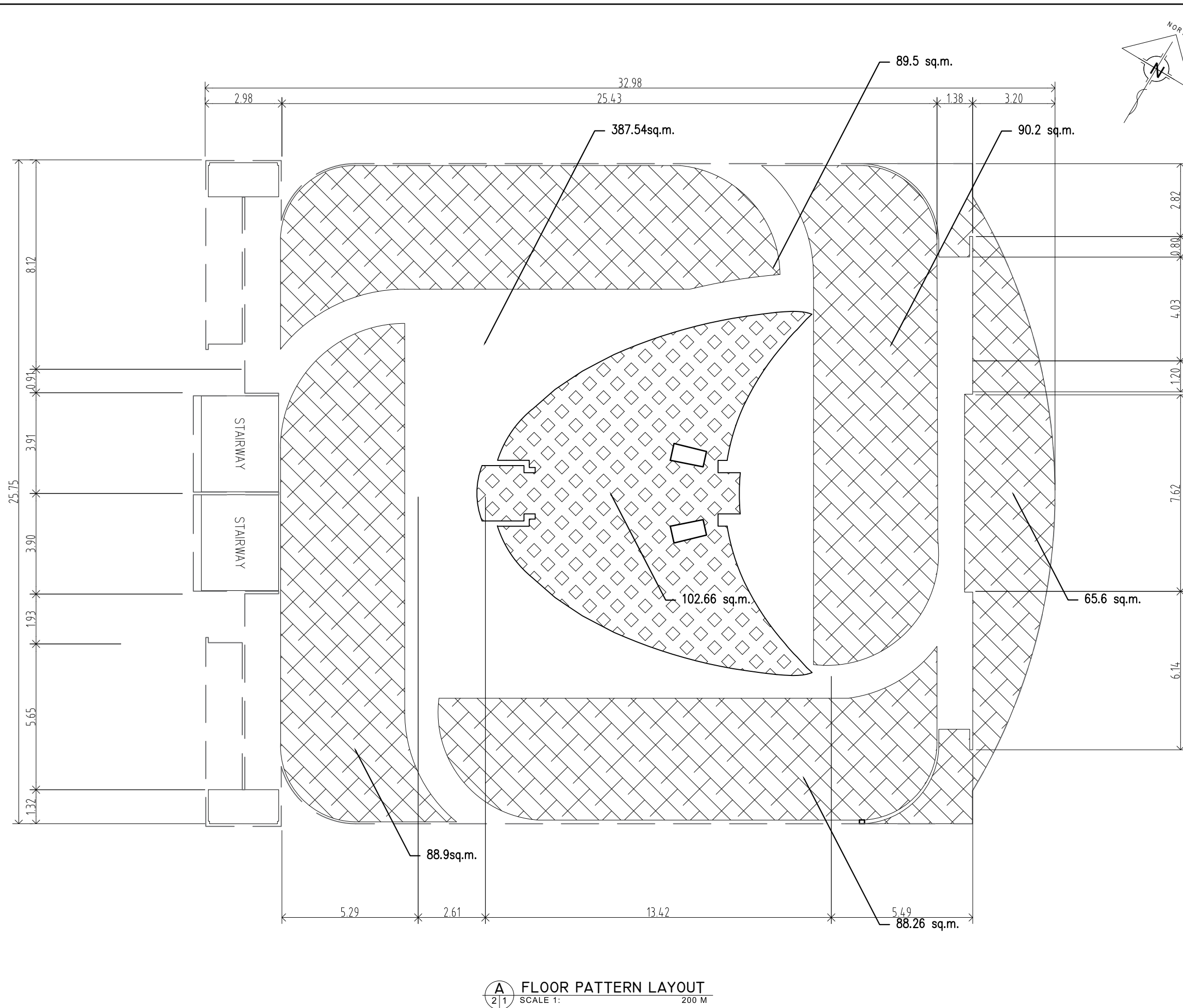
A DETAIL OF REAR LATTICE WALL
SCALE 1: 10 M

TIN : 930-953-275	Design & Seal	Project Title :	Checked by:	Noted by:	Approved by:	Sheet Contents	Designed by : ELVON	<div style="border: 1px solid black; border-radius: 50%; padding: 5px; display: inline-block;"> A14 25 SHEET NO. 14 64 </div>
PRC : 0018370	ELVIN A. CABAÑERO ARCHITECT II	"PROPOSED" CENTENNIAL TWO-STORY LANDMARK BUILDING PROJECT	ENGR. MARCELO T. ABRERA Jr. PFPDMO	Dr. DANIEL LESLIE S. TAN OMPF	Dr. EDGARDO E. TULIN VSU PRESIDENT	DET OF REAR LATTICE WALL	CAD by : ELVON	
PIR : 3695759		LOCATION : ERGY, PANGASUGAN, UPPER CAMPUS, VSU, BAYBAY CITY.				Date Started : Oct '22	Revision : 6.20	
Date : 20 JANUARY 2021						Date Finished : Nov '22		
PL. ISS. : JAWER, LEYIE								



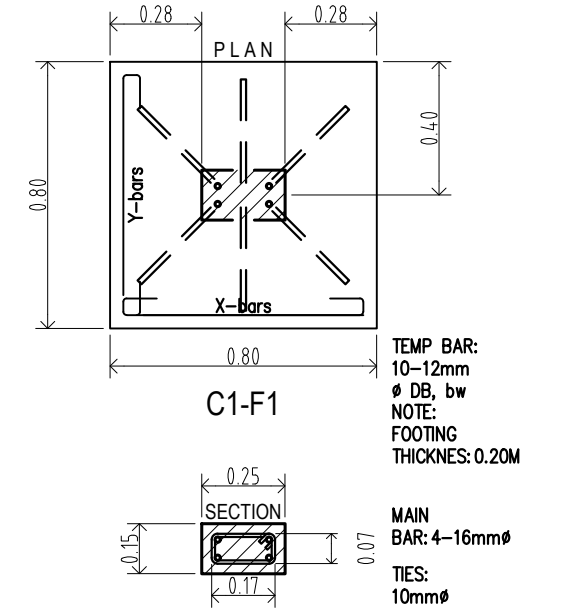
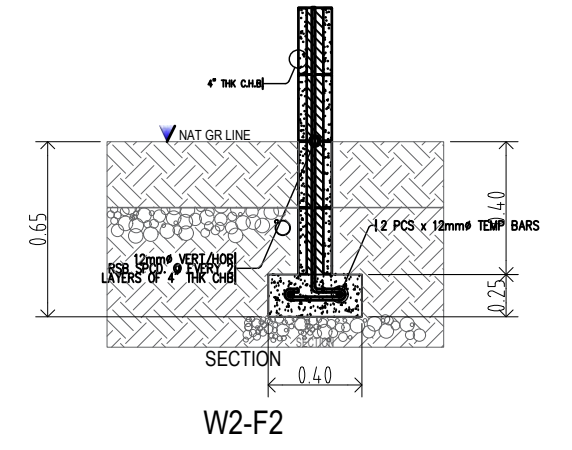
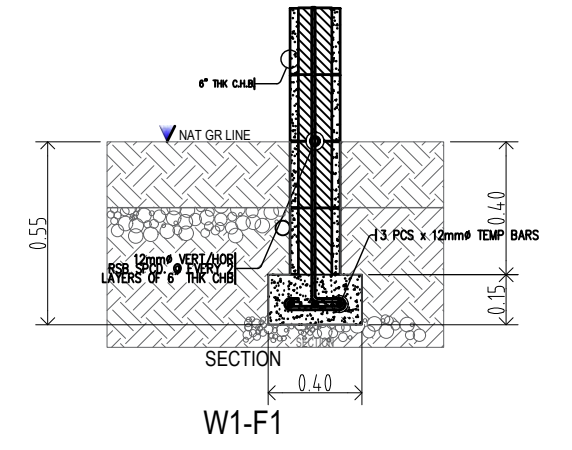
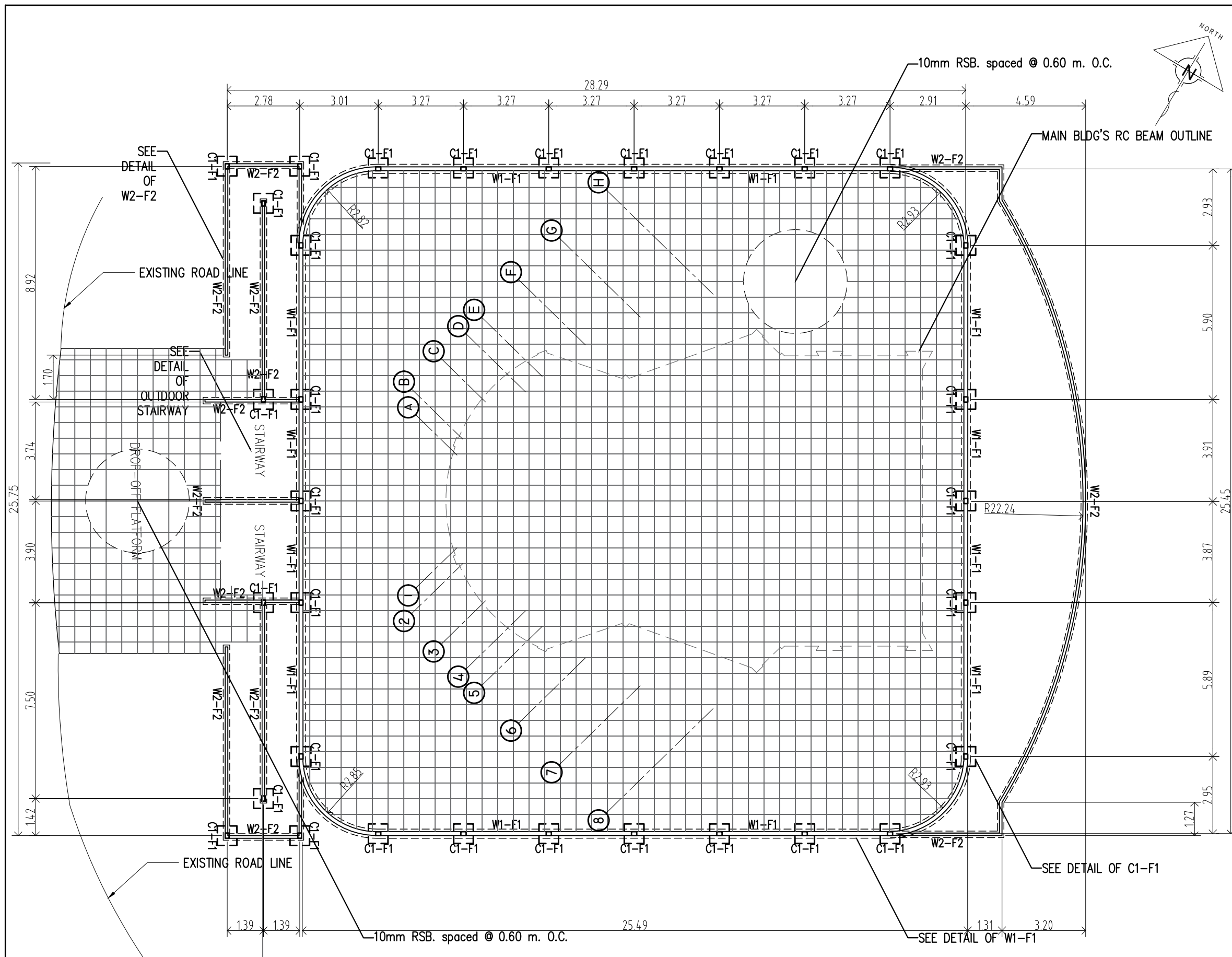
A DETAIL OF REAR EXT. STAIRWAY & RAMP
SCALE 1: 10 M

TIN : 930-953-275	Design & Seal	Project Title :	Checked by:	Noted by:	Approved by:	Sheet Contents	Designed by : ELVON	<div style="border: 1px solid black; border-radius: 50%; padding: 5px; display: inline-block;"> A15 25 SHEET NO. 15 64 </div>
PRC : 0018370	ELVIN A. CABAÑERO ARCHITECT II	"PROPOSED" CENTENNIAL TWO-STOREY LANDMARK BUILDING PROJECT	ENGR. MARCELO T. ABRERA Jr. PFPDMO	Dr. DANIEL LESLIE S. TAN OMPF	Dr. EDGARDO E. TULIN VSU PRESIDENT	REAR STAIRWAY & RAMP	CAD by : ELVON	
PIR : 3695759		LOCATION : ERGY. PANGASUGAN, UPPER CAMPUS, VSU, BAYBAY CITY.				Date Started : Oct '22		
Date : 20 JANUARY 2021						Date Finished : Nov '22		
PL. ISS. : JAWER, LEYIE						Revision : 6.20		



A FLOOR PATTERN LAYOUT
SCALE 1: 200 M

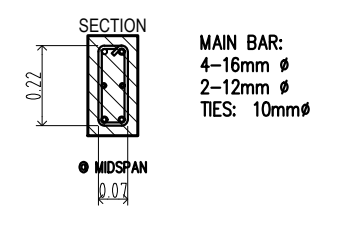
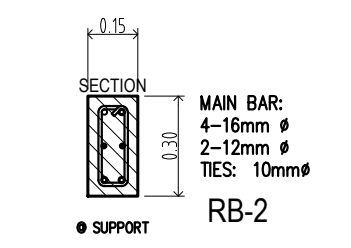
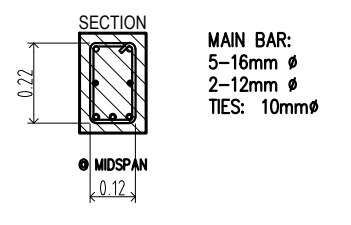
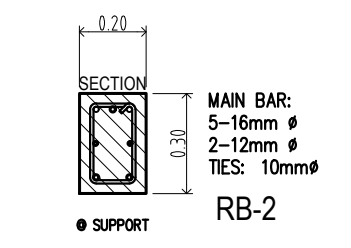
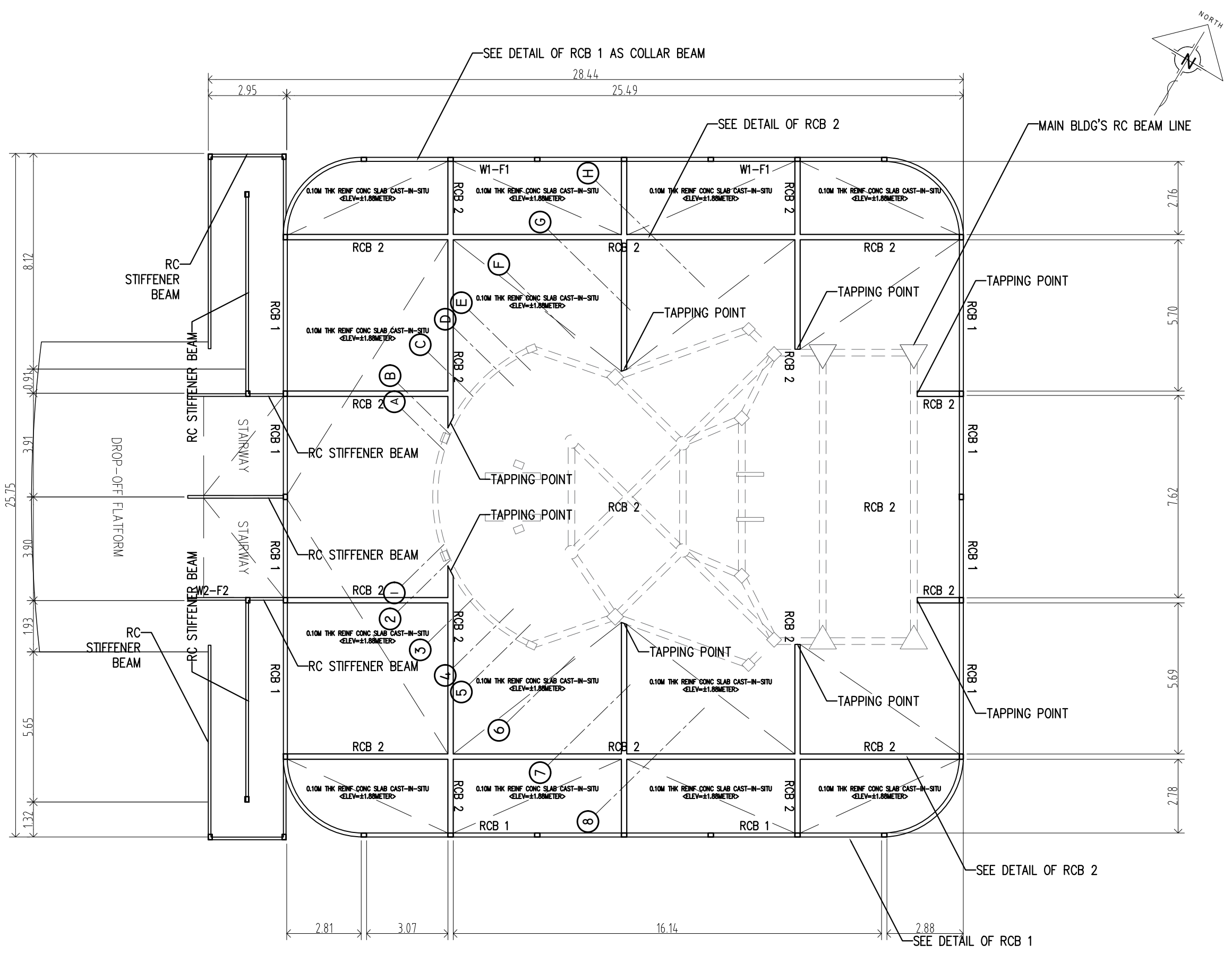
TIN : 930-953-275	Design & Seal	Project Title :	Checked by:	Noted by:	Approved by:	Sheet Contents	Designed by : ELVON	<div style="border: 1px solid black; border-radius: 50%; padding: 5px; display: inline-block;"> A25 25 SHEET NO. 25 66 </div>
PRC : 0018370	ELVIN A. CABAÑERO ARCHITECT II	"PROPOSED" CENTENNIAL TWO-STOREY LANDMARK BUILDING PROJECT	ENGR. MARCELO T. ABRERA Jr. PIPMO	Dr. DANIEL LESLIE S. TAN OMPF	Dr. EDGARDO E. TULIN VSU PRESIDENT	FLOOR PATTERN	CAD by : ELVON	
PIR : 3695759		LOCATION : ERGY. PANGSUGAN, UPPER CAMPUS, VSU, BAYBAY CITY.				Date Started : Oct '22	Date Finished : Nov '22	
Date : 20 JANUARY 2021						Revision : 6.20		
PL. ISS. : JAWER, LEYIE								



A EXTERNAL DECK FOUNDATION LAYOUT
SCALE 1: 200 M

A SCHEDULE OF COL/WALL/FTNG
SCALE 1: 30 M

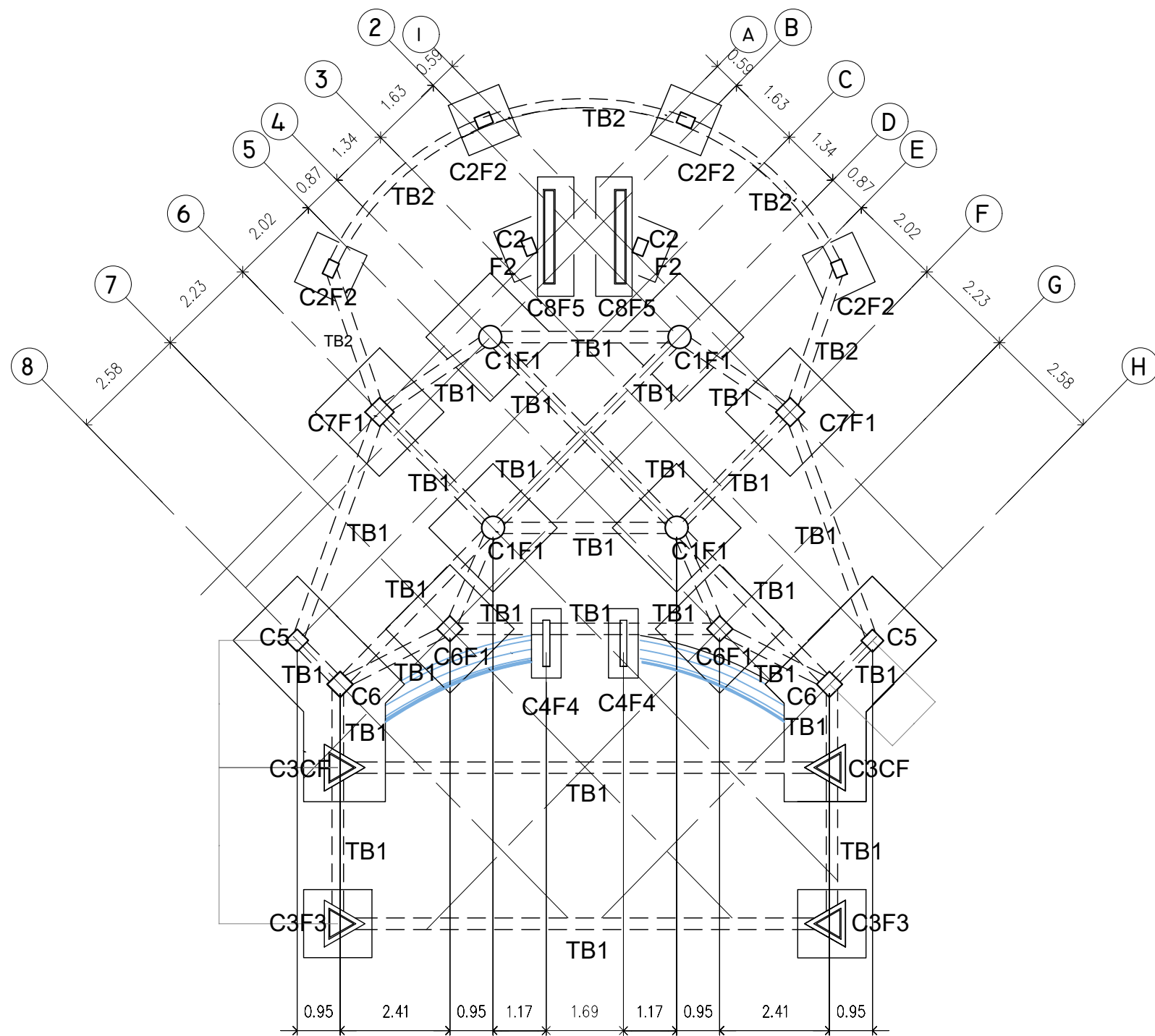
TIN : 474-984-480	Design & Seal	Project Title :	Checked by :	Noted by :	Approved by :	Sheet Contents	Designed by : ELVON	S1 13 SHEET NO. 26 66
PRC : 0068591	JIEN APRIL B. JUALO CIVIL ENGINEER	"PROPOSED" CENTENNIAL TWO-STORY LANDMARK BUILDING PROJECT	ENGR. MARCELO T. ABRERA Jr. RIPMO	Dr. DANIEL LESLIE S. TAN OPPF	Dr. EDGARDO E. TULIN VSU PRESIDENT	EXTERNAL DECK FOUNDATION LAYOUT	CAD by : ELVON	
PIR : 0470692		LOCATION : ERGY. PANGSUGAN, UPPER CAMPUS, VSU, BAYBAY CITY.				Date Started : Mar '23	Date Finished : Mar '23	
Date : 02-06-23						Revision : 6.20		
PL ISS. : MAASIN CITY								



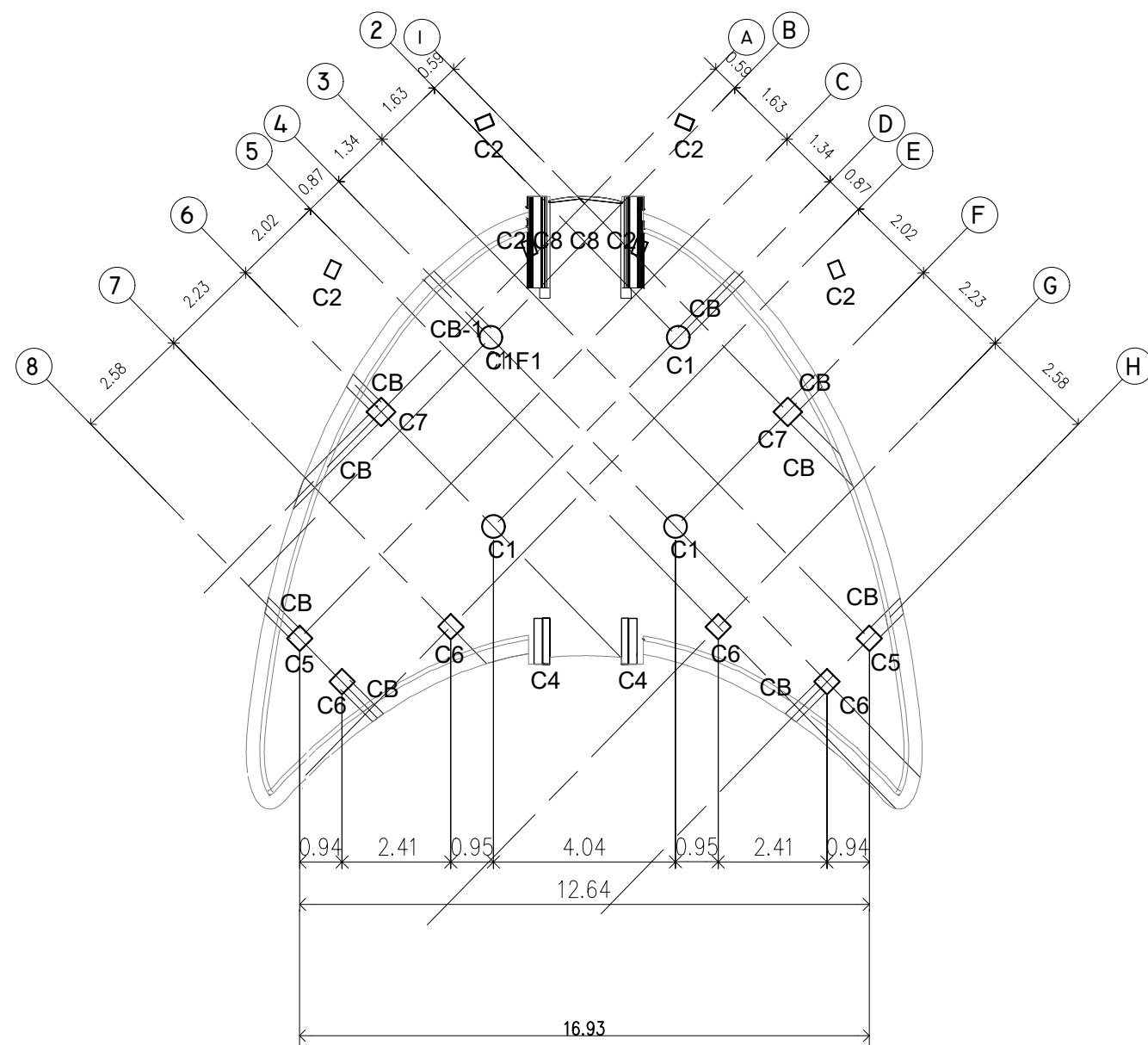
VIEW PLATFORM
RC PLINTH BEAM LAYOUT
SCALE 1: 200 M

SCHEDULE OF RC PLINTH BEAM
SCALE 1: 30 M

TIN : 474-984-480	Design & Seal	Project Title :	Checked by:	Noted by:	Approved by:	Sheet Contents	Designed by : ELVON	<div style="border: 1px solid black; border-radius: 50%; width: 40px; height: 40px; display: flex; align-items: center; justify-content: center;"> <div style="font-size: 24px; margin-right: 5px;">S2</div> <div style="font-size: 24px; margin-right: 5px;">13</div> </div> <div style="font-size: 12px; margin-top: 5px;">SHEET NO.</div> <div style="font-size: 24px; margin-top: 5px;">27</div> <div style="font-size: 24px; margin-top: 5px;">66</div>
PRC : 0068591	JIEN APRIL B. JUALO CIVIL ENGINEER	"PROPOSED" CENTENNIAL TWO-STORY LANDMARK BUILDING PROJECT LOCATION : ERGY. PANGASUGAN, UPPER CAMPUS, VSU, BAYBAY CITY.	ENGR. MARCELO T. ABRERA Jr. PIPDMO	Dr. DANIEL LESLIE S. TAN OP/PF	Dr. EDGARDO E. TULIN VSU PRESIDENT	RC PLINTH BEAM, SCHEDULE OF PLINTH SCHED OF RC PLINTH BEAM	CAD by : ELVON	
PTR : 0470692						Date Started : Mar '23		
Date : 02-06-23						Date Finished : Mar '23		
PL ISS. : MAASIN CITY						Revision : 6.20		

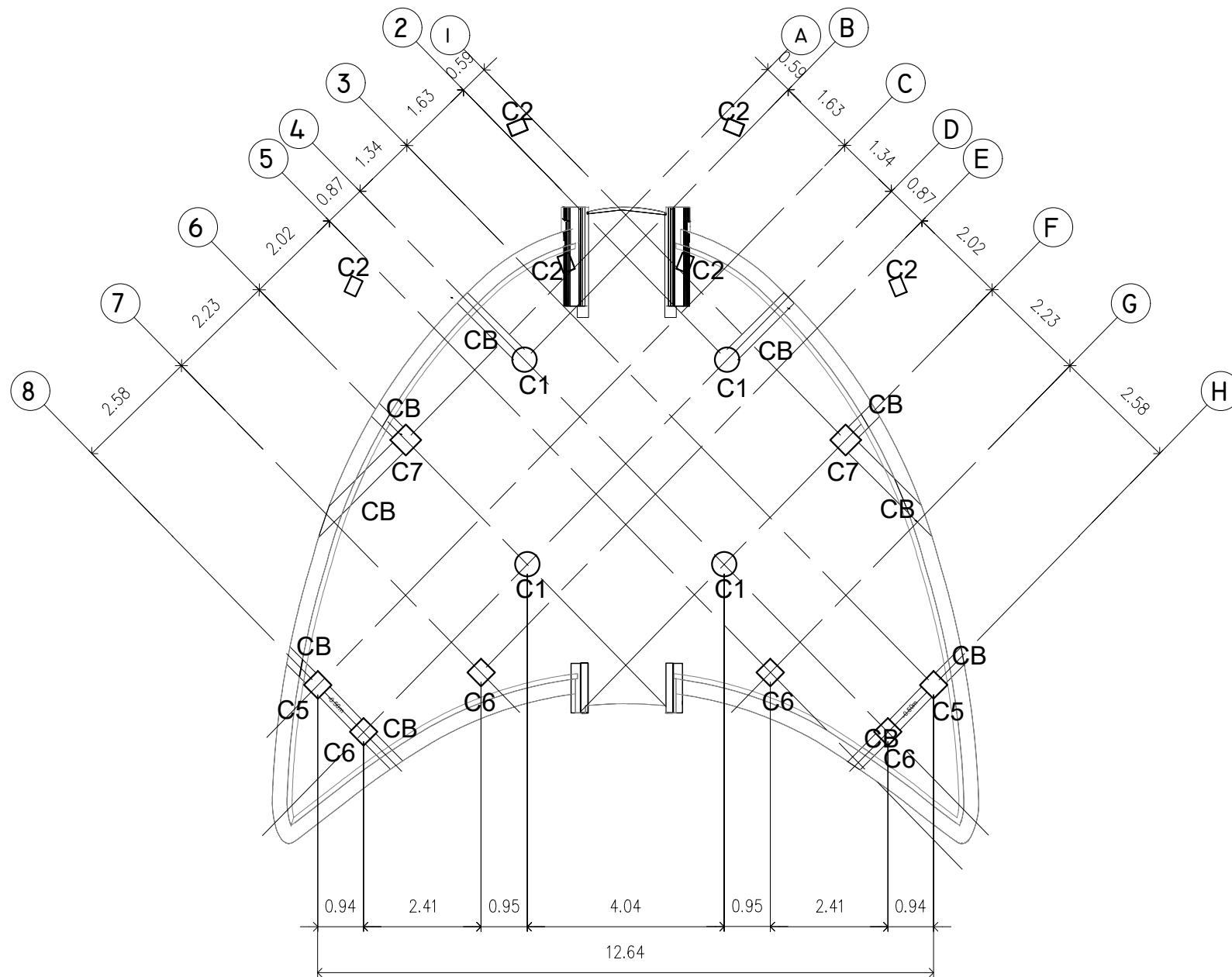


FOUNDATION PLAN
SCALE 1:125



FIRST CONCRETE GUTTER
STRUCTURAL PLAN
SCALE 1:150

TIN : 474-984-480	Design & Seal	Project Title :	Checked by :	Noted by :	Approved by :	SHEET CONTENTS:	Designed by : PFRIME	<table border="1"> <tr> <td>S3</td> <td>13</td> </tr> <tr> <td>28</td> <td>66</td> </tr> </table>	S3	13	28	66
S3	13											
28	66											
PRC : 0068591	JIEN APRIL B. JUALO CIVIL ENGINEER	"PROPOSED" (CENTENNIAL) TWO-STOREY LANDMARK PROJECT	ENGR. MARCELO T. ABRERA Jr. RIPDMO	Dr. DANIEL LESLIE S. TAN OVNF	Dr. EDGARDO E. TULIN VSU PRESIDENT	FOUNDATION PLAN	CAD by : JABU					
PIR : 0470692		LOCATION : ERGY, PANGSUGAN, UPPER CAMPUS, VSU, BAYBAY CITY.				Date Started : 04 '22						
Date : 02-06-23						Date Finished : 04 '22						
PL. ISS. : MAASIN CITY						Revision : 3.20						

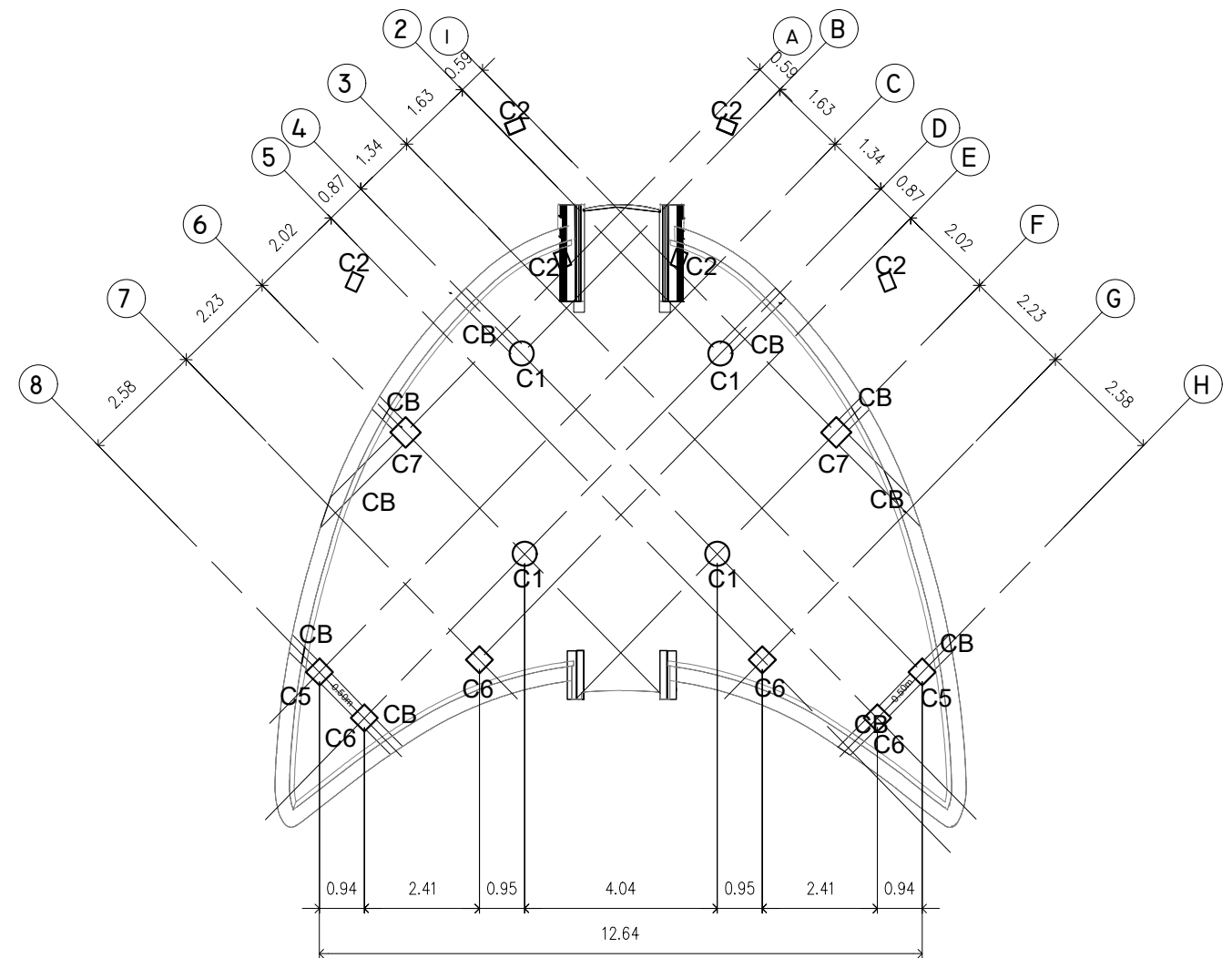


SECOND CONCRETE GUTTER
STRUCTURAL PLAN



SCALE

1:125



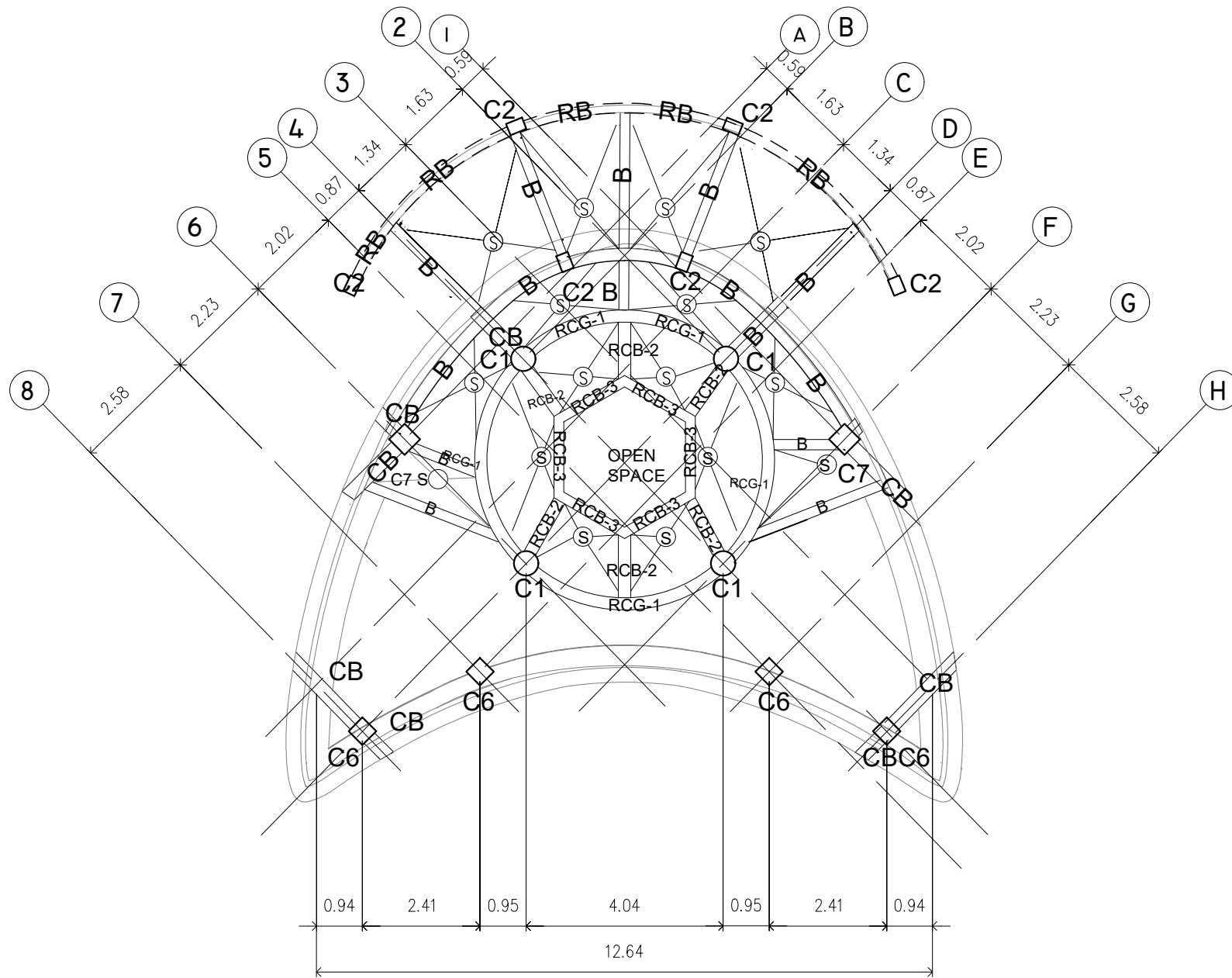
THIRD CONCRETE GUTTER
STRUCTURAL PLAN



SCALE

1:150

TIN : 474-984-480	Design & Seal	Project Title :	Checked by :	Noted by :	Approved by :	SHEET CONTENTS:	Designed by : PFRIME	<table border="1"> <tr> <td>S4</td> <td>13</td> </tr> <tr> <td colspan="2">SHEET NO.</td> </tr> <tr> <td>29</td> <td>66</td> </tr> <tr> <td colspan="2">Revision : 3.20</td> </tr> </table>	S4	13	SHEET NO.		29	66	Revision : 3.20	
S4	13															
SHEET NO.																
29	66															
Revision : 3.20																
PRC : 0068591	JIEN APRIL B. JUALO CIVIL ENGINEER	"PROPOSED" (CENTENNIAL) TWO-STOREY LANDMARK PROJECT	ENGR. MARCELO T. ABRERA Jr. RIPDMO	Dr. DANIEL LESLIE S. TAN OVNF	Dr. EDGARDO E. TULIN VSU PRESIDENT	2ND CONCRETE GUTTER BEAM	CAD by : JABU									
PTR : 0470692		LOCATION : ERGY, PANGASUGAN, UPPER CAMPUS, VSU, BAYBAY CITY.				Date Started : 04 '22										
Date : 02-06-23						Date Finished : 04 '23										
PL. ISS. : MAASIN CITY																

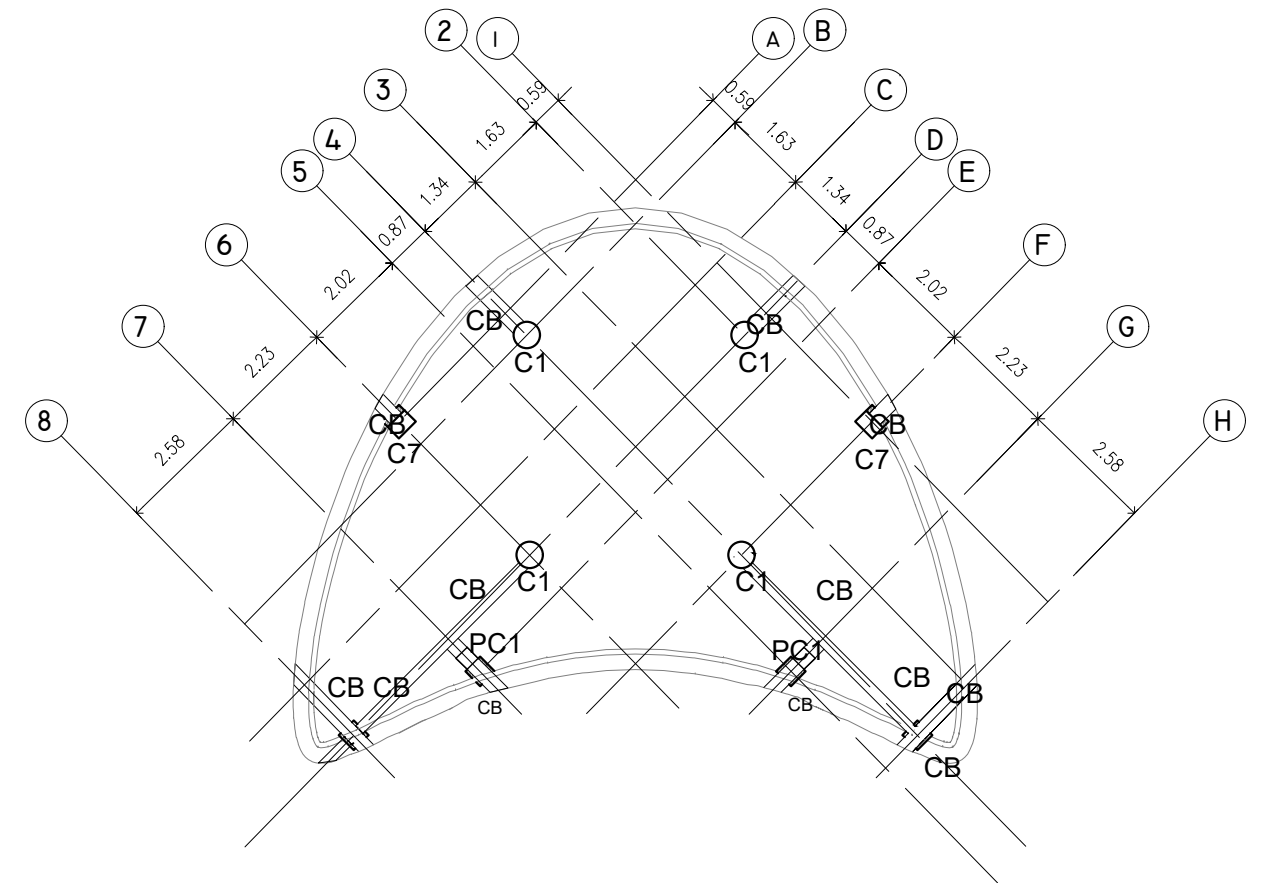


FOURTH CONCRETE GUTTER
STRUCTURAL PLAN



SCALE

1:125



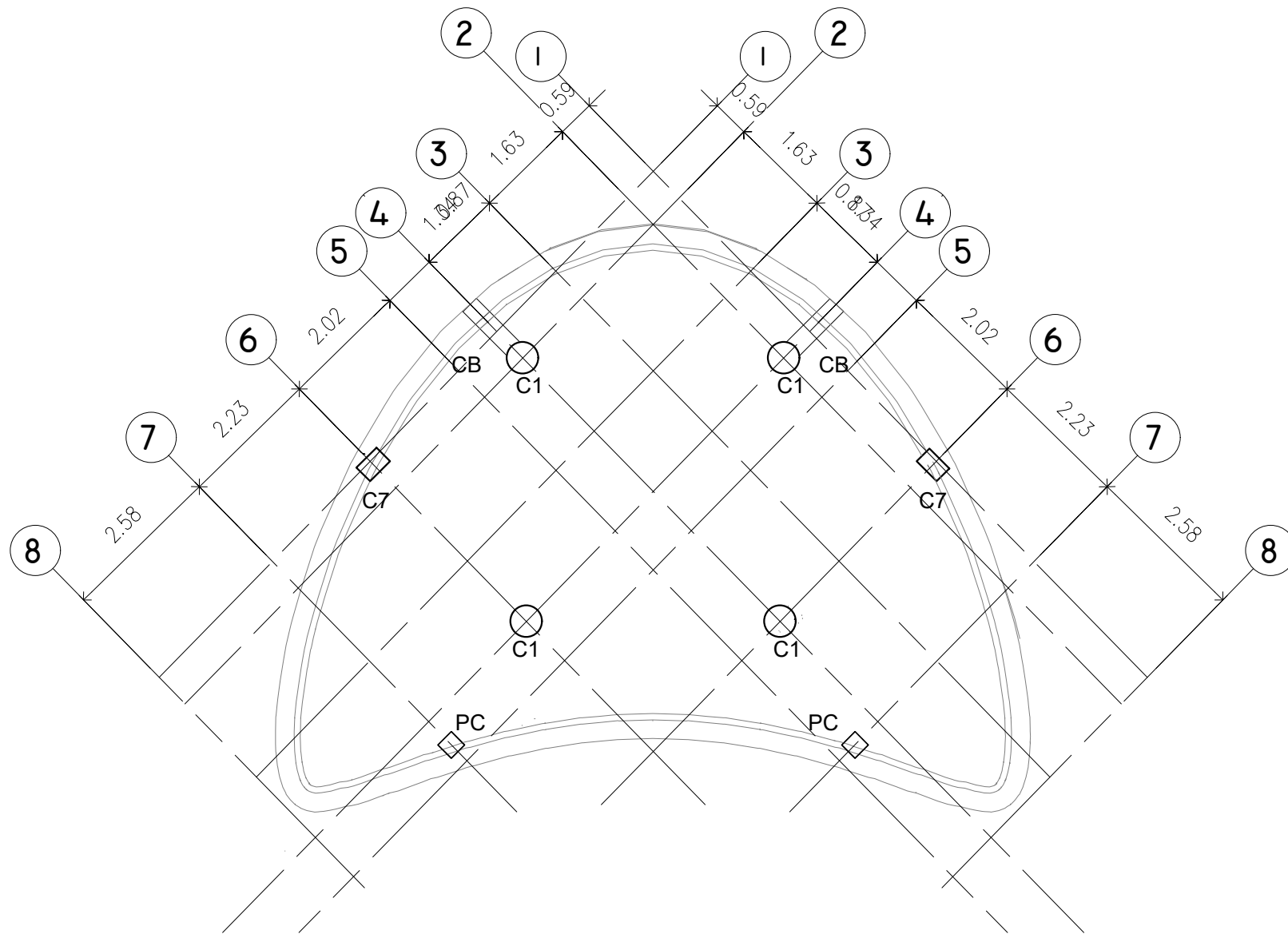
FIFTH CONCRETE GUTTER
STRUCTURAL PLAN



SCALE

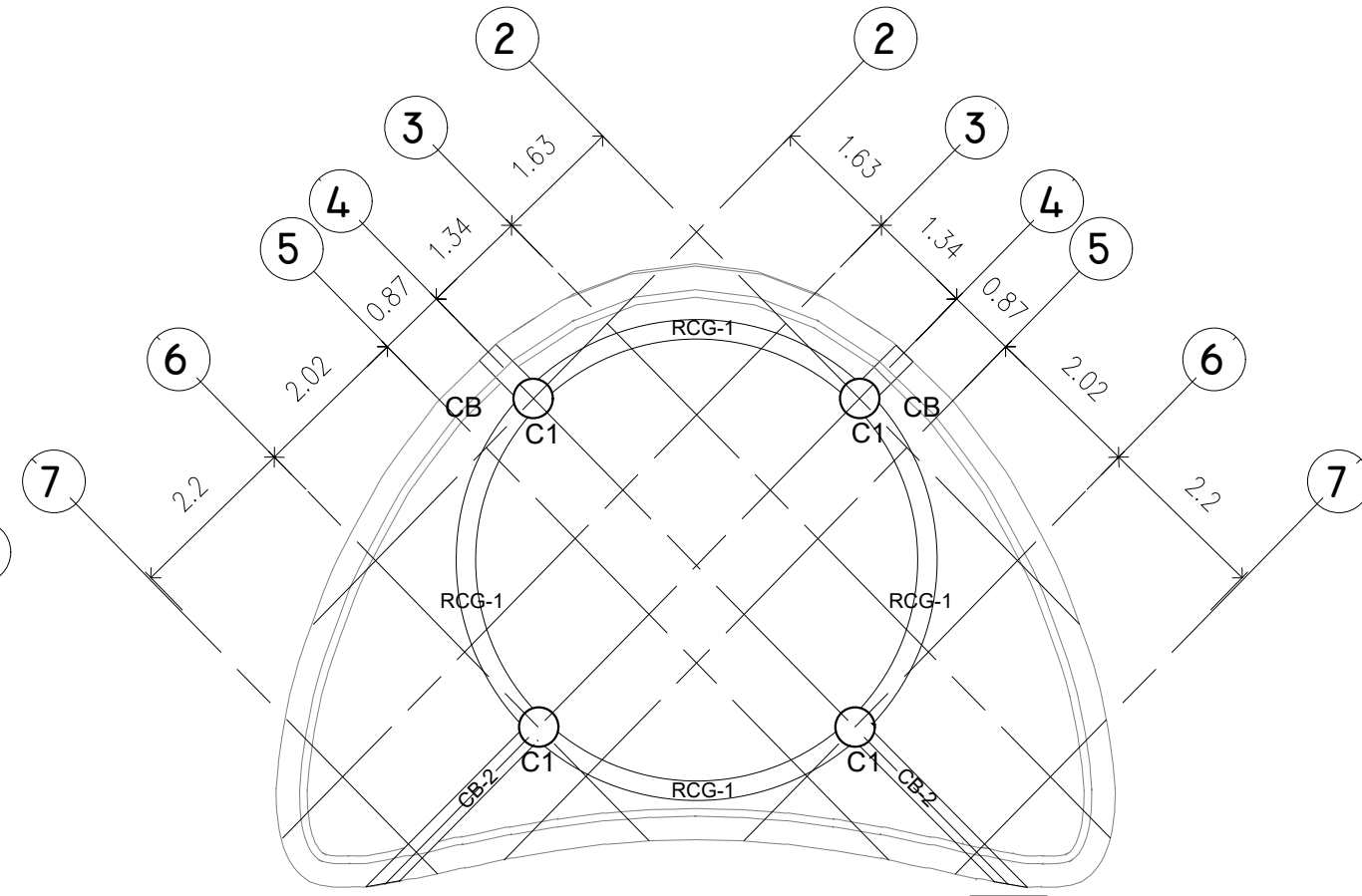
1:150

TIN : 474-984-480	Design & Seal	Project Title :	Checked by :	Noted by :	Approved by :	SHEET CONTENTS:	Designed by : PFRIME	<div style="border: 1px solid black; border-radius: 50%; padding: 5px; display: inline-block;"> <p>S5 13</p> <p>SHEET NO.</p> <p>30 66</p> </div>
PRC : 0068591	JIEN APRIL B. JUALO <small>CIVIL ENGINEER</small>	"PROPOSED" (CENTENNIAL) TWO-STOREY LANDMARK PROJECT <small>LOCATION : ERGY, PANGSUGAN, UPPER CAMPUS, VSU, BAYBAY CITY.</small>	ENGR. MARCELO T. ABRERA Jr. <small>PIPDMO</small>	Dr. DANIEL LESLIE S. TAN <small>OPWF</small>	Dr. EDGARDO E. TULIN <small>VSU PRESIDENT</small>	4TH CONCRETE GUTTER BEAM	CAD by : JABU	
PIR : 0470692						Date Started : 04 '22		
Date : 02-06-23						Date Finished : 04 '23		
PL. ISS. : MAASIN CITY						Revision : 3.20		



**SIXTH CONCRETE GUTTER
STRUCTURAL PLAN**

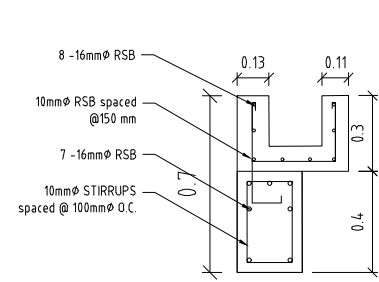
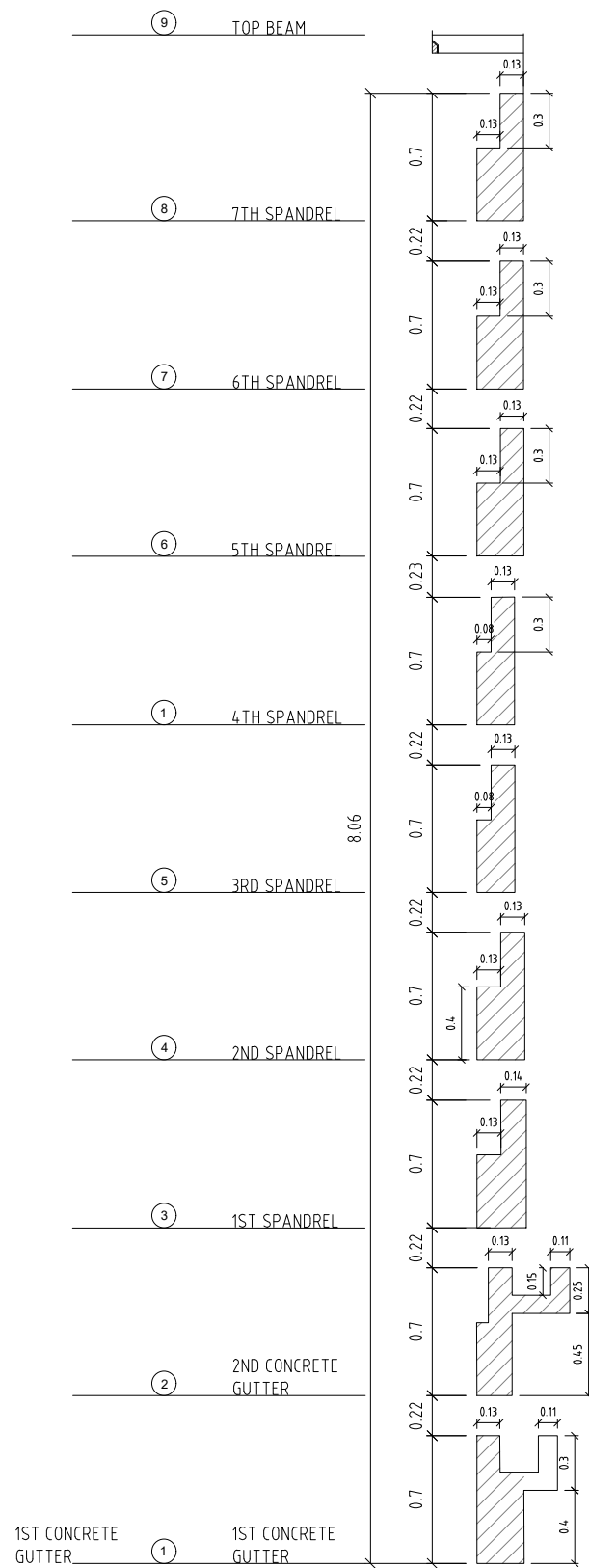
SCALE 1:150



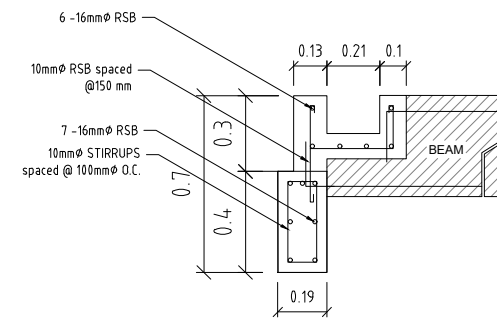
**SEVENTH CONCRETE GUTTER
STRUCTURAL PLAN**

SCALE 1:150

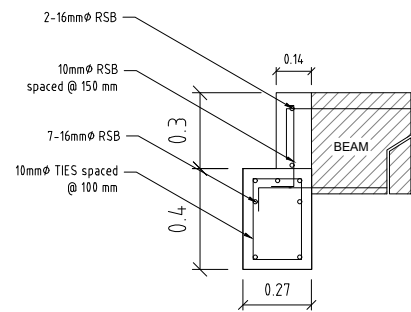
TIN : 474-984-480	Design & Seal	Project Title :	Checked by :	Noted by :	Approved by :	SHEET CONTENTS: 6TH CONCRETE GUTTER BEAM 7TH CONCRETE GUTTER BEAM	Designed by : PFRIME	<div style="border: 1px solid black; padding: 2px; display: inline-block;"> S6 13 SHEET NO. 31 66 </div>
PRC : 0068591	JIEN APRIL B. JUALO CIVIL ENGINEER	"PROPOSED" (CENTENNIAL) TWO-STOREY LANDMARK PROJECT LOCATION : ERGY, PANGSUGAN, UPPER CAMPUS, VSU, BAYBAY CITY.	ENGR. MARCELO T. ABRERA Jr. PIPDMO	Dr. DANIEL LESLIE S. TAN OVPF	Dr. EDGARDO E. TULIN VSU PRESIDENT		CAD by : JABU	
PTR : 0470692							Date Started : 04 '22	
Date : 02-06-23							Date Finished : 04 '23	
PL. ISS. : MAASIN CITY	Revision : 3.20							



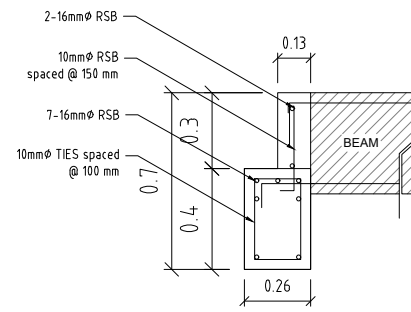
FIRST CONCRETE GUTTER



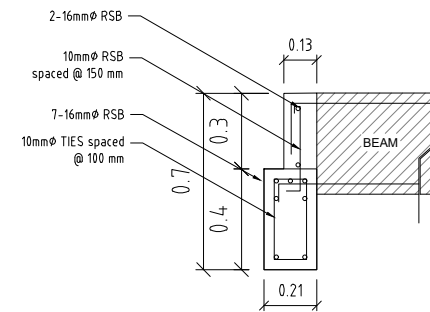
SECOND CONCRETE GUTTER



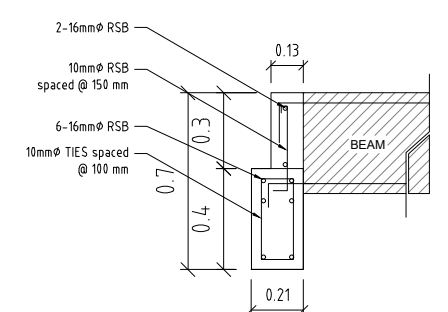
FIRST CONCRETE SPANDREL



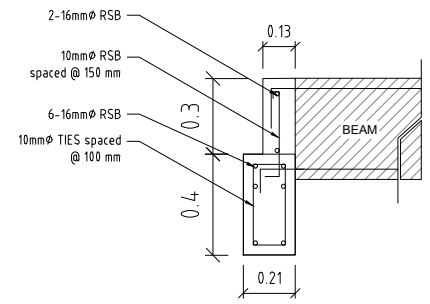
SECOND CONCRETE SPANDREL



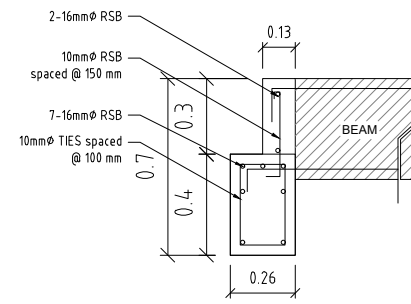
THIRD CONCRETE SPANDREL



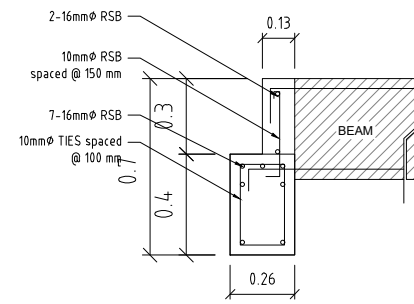
FOURTH CONCRETE SPANDREL



FIFTH CONCRETE SPANDREL



SIXTH CONCRETE SPANDREL



SEVENTH CONCRETE SPANDREL

CONCRETE GUTTER/ SPANDREL ELEVATION PLAN

SCALE 1:40

CONCRETE GUTTER/ SPANDREL DETAIL SECTIONS

SCALE 1:30



TIN: 474-994-488
 PRC: 414581
 PTR: 470692
 DATE: 02-06-23
 PLACE: MAASIN CITY

Design & Seal:
ENGR. JIEN APRIL B. JUALO
 CIVIL ENGINEER

Project Title:
"PROPOSED" (CENTENNIAL) TWO STOREY LANDMARK PROJECT
 LOCATION: BRGY. PANGASUGAN, UPPER CAMPUS, VSU, BAYBAY CITY

Checked by:
ENGR. MARCELO T. ABRERA JR.
 DIRECTOR, PIPDMO

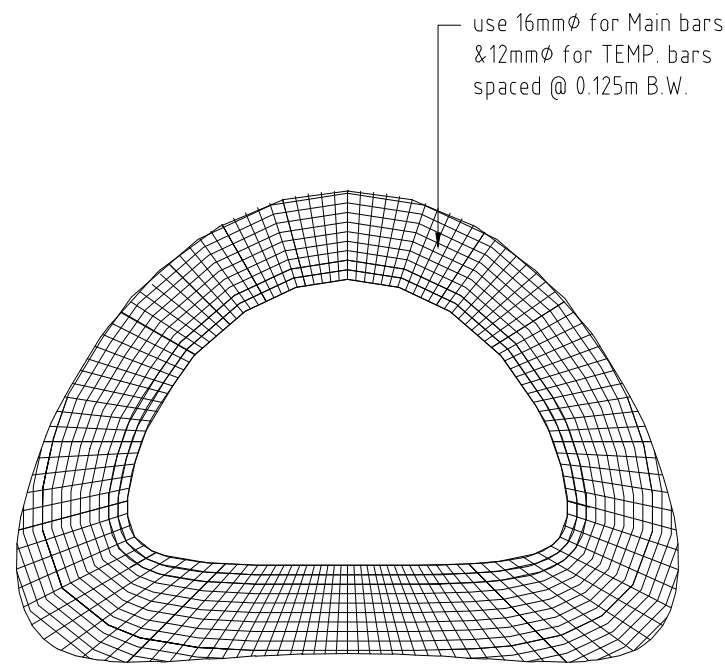
Noted by:
DR. DANIEL LESLIE S. TAN
 VP. OF ADMINISTRATIVE AND FINANCE

Approved by:
DR. EDGARDO E. TULIN
 VSU PRESIDENT

Sheet Content:
 CONCRETE GUTTER/SPANDREL ELEV. PLAN
 CONCRETE GUTTER/SPANDREL DETAIL SECTIONS

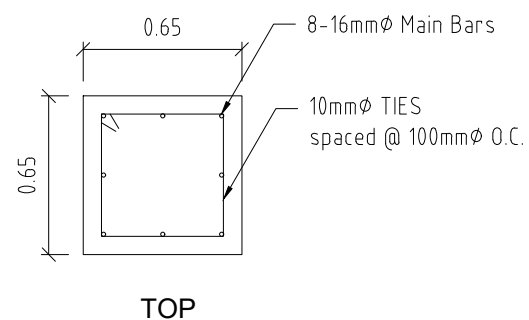
Checked by: ELVIN C. JUAN
 Date Started:
 Date Finished:
 Place:

S7.a13
 SHEET NO.

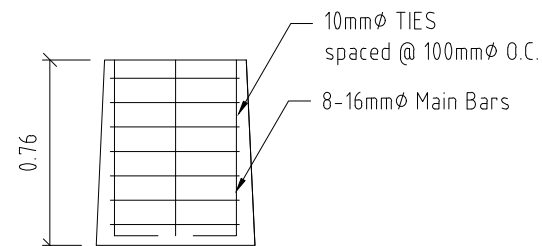


**TYPICAL SPANDREL
DETAIL**

SCALE 1:100

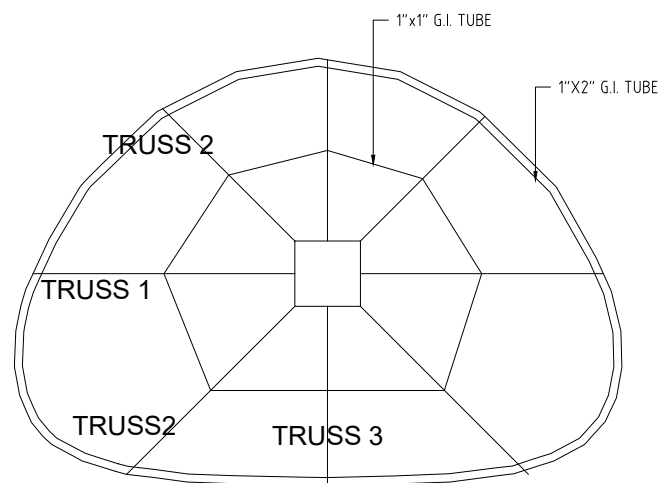


TOP



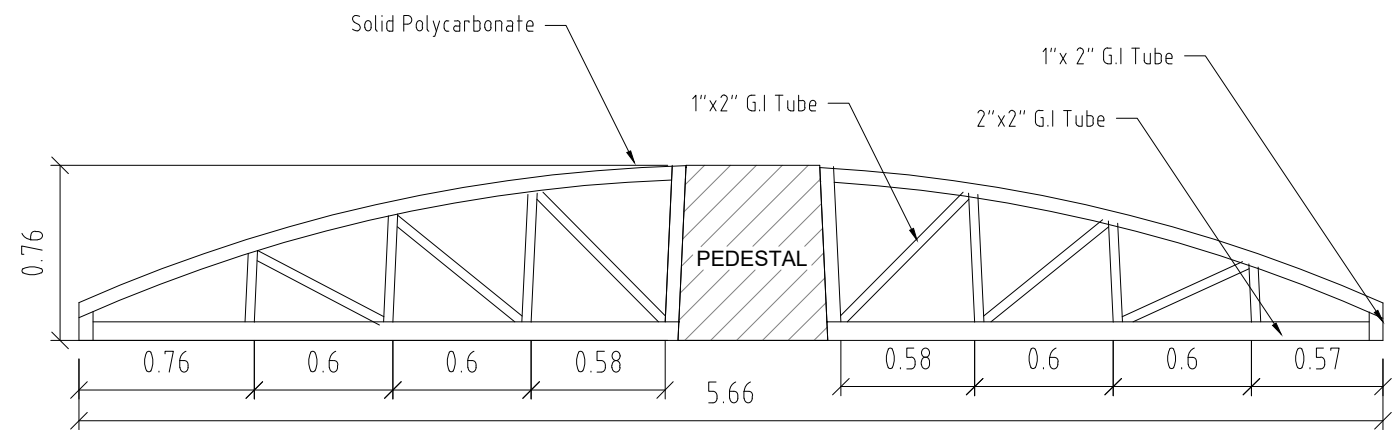
ELEVATION

PEDESTAL DETAIL
SCALE 1:75

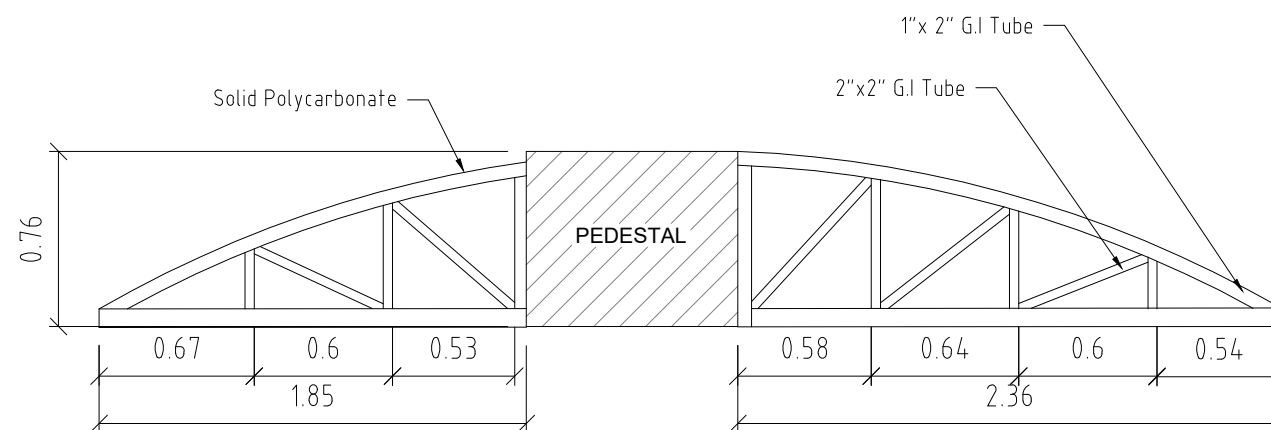


TOP ROOFING DETAIL

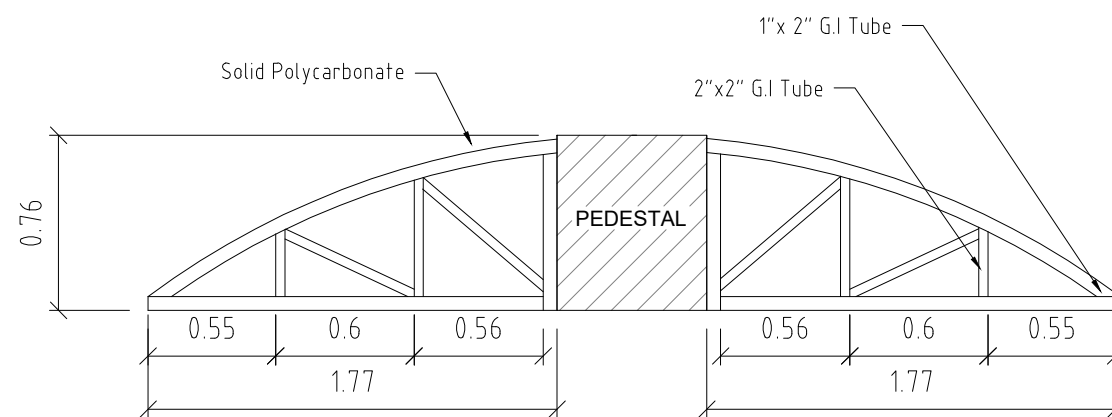
SCALE 1:75



TRUSS 1



TRUSS 2

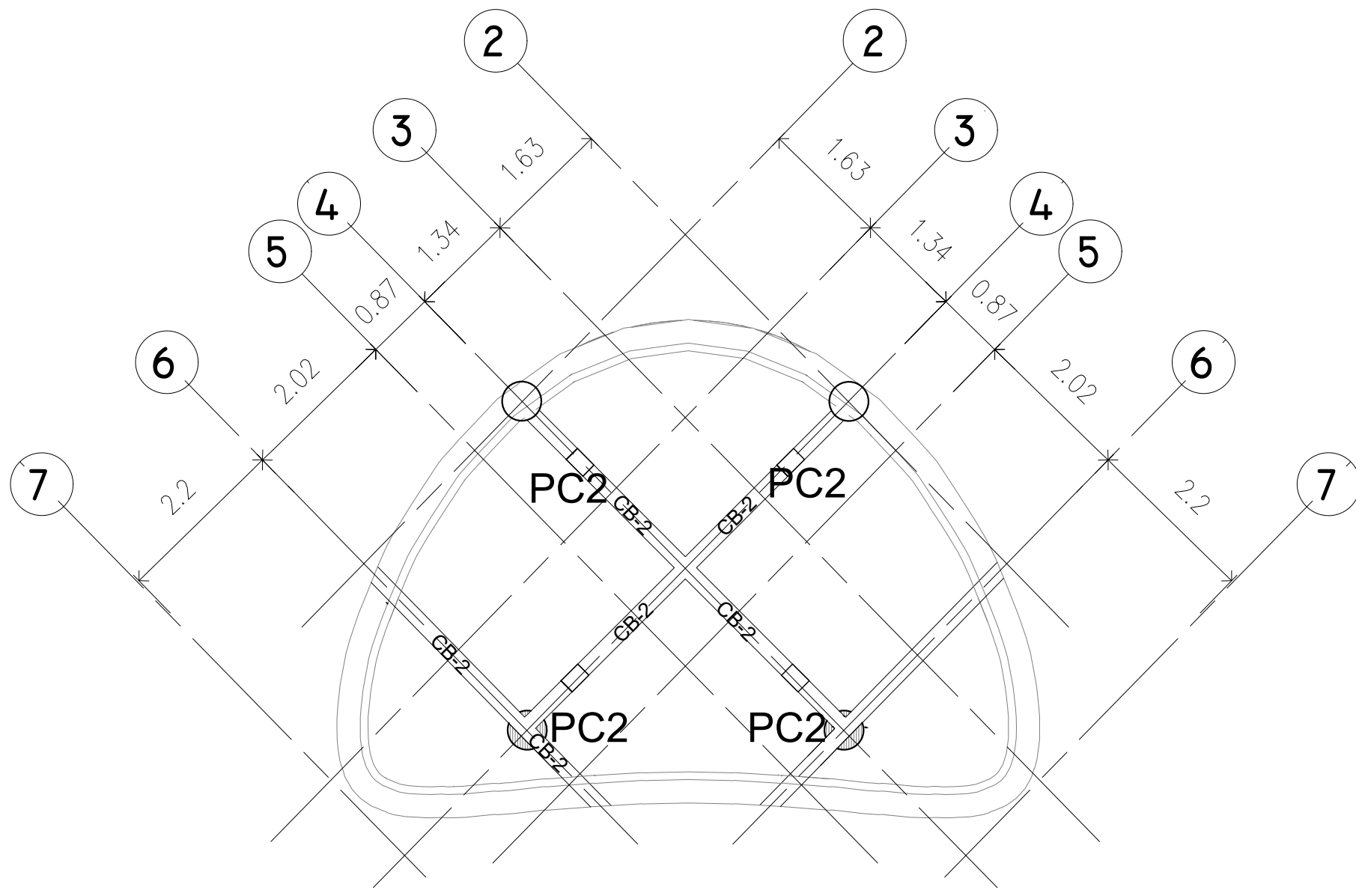


TRUSS 3

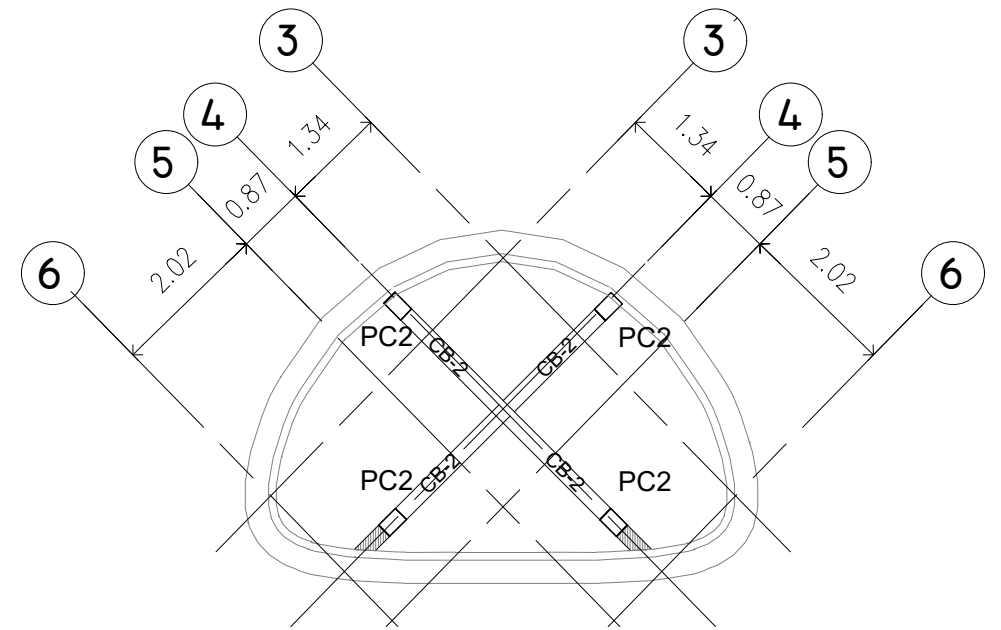
**CONCRETE GUTTER/ SPANDREL
DETAIL SECTIONS**

SCALE N.D.T.S

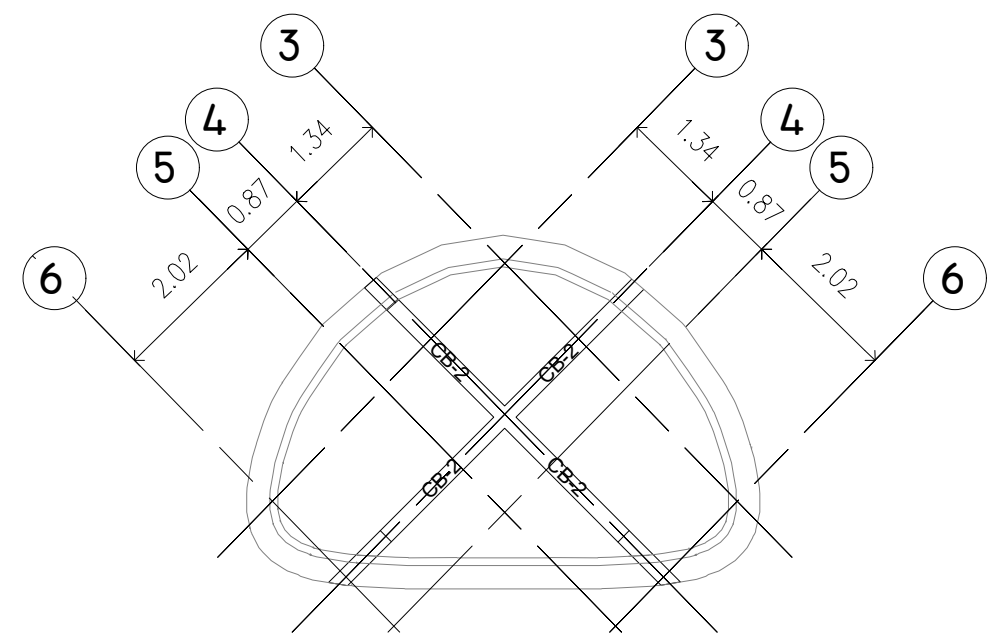
	TIN: 474-994-488	Design & Seal:	Project Title:	Checked by:	Noted by:	Approved by:	Sheet Content:	Copyright: ELVIN C.	
	PRC: 014/581	ENGR. JIEN APRIL B. JUALO CIVIL ENGINEER	"PROPOSED" (CENTENNIAL) TWO STOREY LANDMARK PROJECT LOCATION: BRGY. PANGASUGAN, UPPER CAMPUS, VSU, BAYBAY CITY	ENGR. MARCELO T. ABRERA JR. DIRECTOR, PIPDMO	DR. DANIEL LESLIE S. TAN VP. OF ADMINISTRATIVE AND FINANCE	DR. EDGARDO E. TULIN VSU PRESIDENT	TYPICAL SPANDREL DETAIL	Date Started: Date Finished: Place:	
	PTR: 470692						TOP ROOFING DETAIL		
	DATE: 02-06-23						PEDESTAL DETAIL		
PLACE: MAASIN CITY	CONCRETE GUTTER / SPANDREL DETAIL SECTIONS								



**EIGHT CONCRETE GUTTER
STRUCTURAL PLAN**
SCALE 1:100



**NINTH CONCRETE GUTTER
STRUCTURAL PLAN**
SCALE 1:100

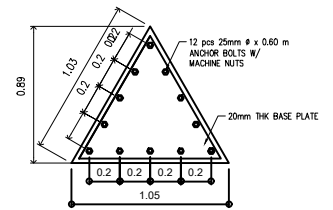
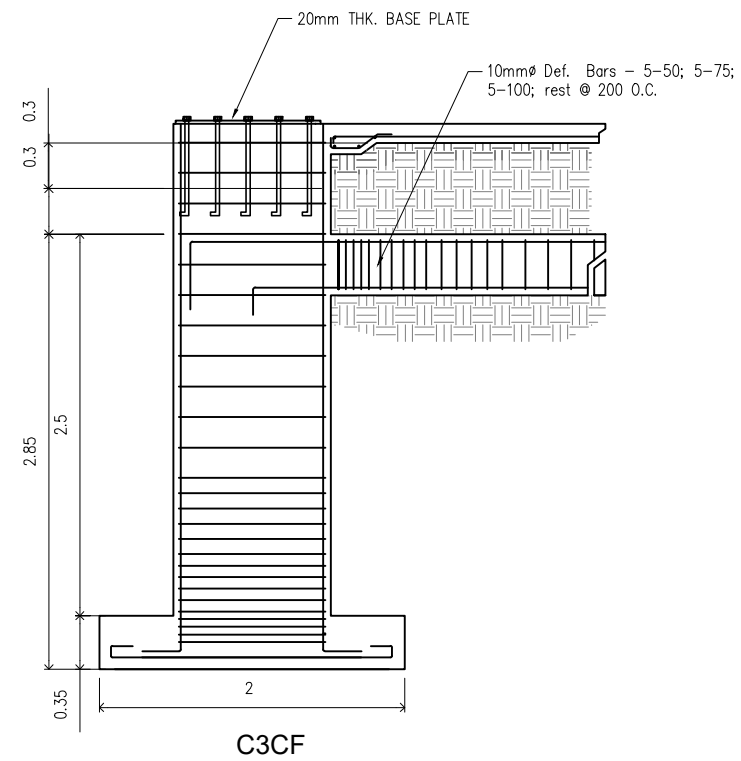
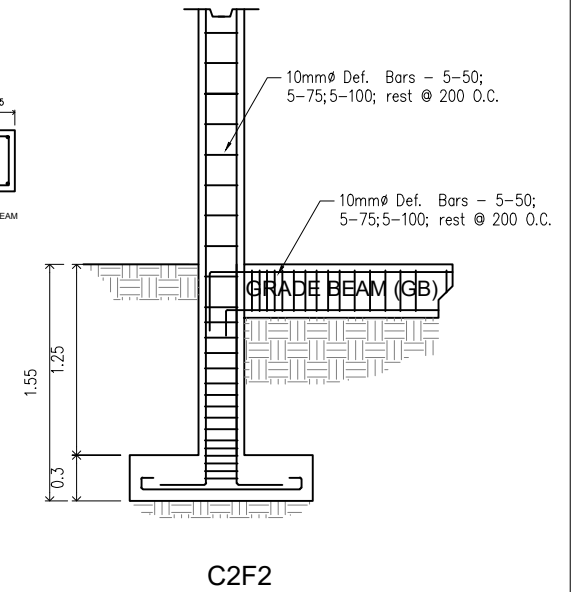
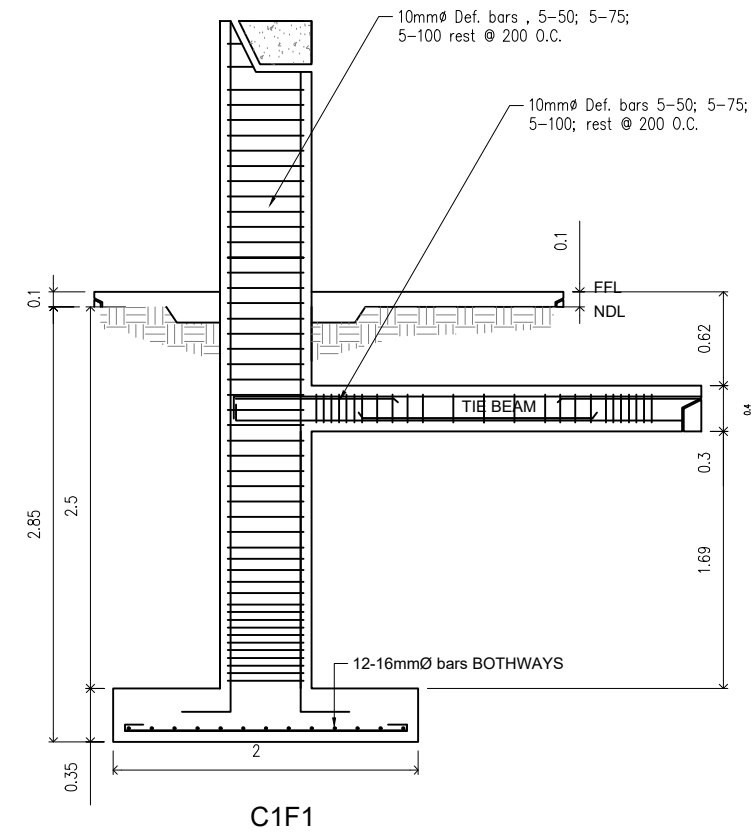


**TOP BEAM (SUPPORT FOR FLAME STRUCTURE)
STRUCTURAL PLAN**
SCALE 1:100

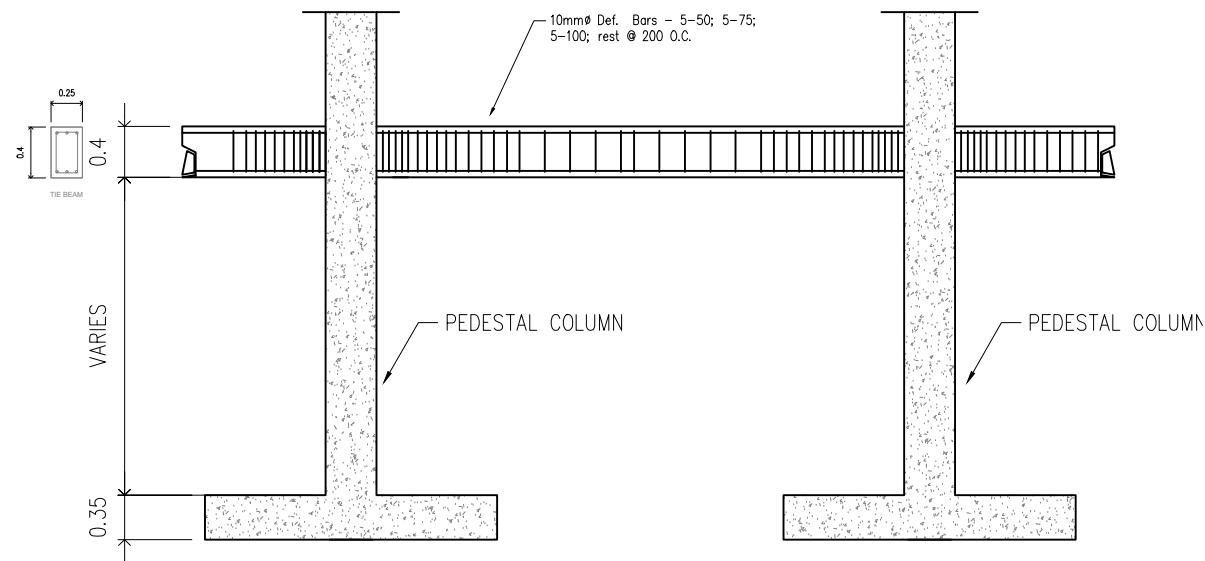
TIN : 474-984-480	Design & Seal	Project Title :	Checked by :	Noted by :	Approved by :	SHEET CONTENTS:	Designed by : PFRIME	<table border="1"> <tr> <td>S7</td> <td>13</td> </tr> <tr> <td colspan="2">SHEET NO.</td> </tr> <tr> <td>32</td> <td>66</td> </tr> <tr> <td colspan="2">Revision : 3.20</td> </tr> </table>	S7	13	SHEET NO.		32	66	Revision : 3.20	
S7	13															
SHEET NO.																
32	66															
Revision : 3.20																
PRC : 0068591	JIEN APRIL B. JUALO CIVIL ENGINEER	"PROPOSED" (CENTENNIAL) TWO-STOREY LANDMARK PROJECT	ENGR. MARCELO T. ABRERA Jr. RFPDMO	Dr. DANIEL LESLIE S. TAN OVNF	Dr. EDGARDO E. TULIN VSU PRESIDENT	8TH CONCRETE GUTTER BEAM	CAD by : JABJ									
PTR : 0470692		LOCATION : ERGY, PANGSUGAN, UPPER CAMPUS, VSU, BAYBAY CITY.				Date Started : 04 '22	Date Finished : 04 '23									
Date : 02-06-23																
PL. ISS. : MAASIN CITY																

COLUMN SCHEDULE

LEVEL	C1	C2	C3	C4	C5	C6	C7	C8	PC1	PC2
FOUNDATION LEVEL TO GROUND SLAB				REFER TO DETAIL OF C8 ON PLAN				REFER TO DETAIL OF C8 ON PLAN		
GROUND LEVEL - 4TH CONCRETE OUTER										
4TH - 5TH CONCRETE OUTER										
5TH - 6TH CONCRETE OUTER										
6TH-8TH CONCRETE OUTER										
8th-10th FLOOR BEAM										



CROSSSECTION
STEEL COLUMN TO PDESTAL (C2) CONNECTION DETAIL



TYP. TIE BEAM DETAIL
SCALE 1:60

COLUMN FOOTING DETAIL
SCALE 1:60

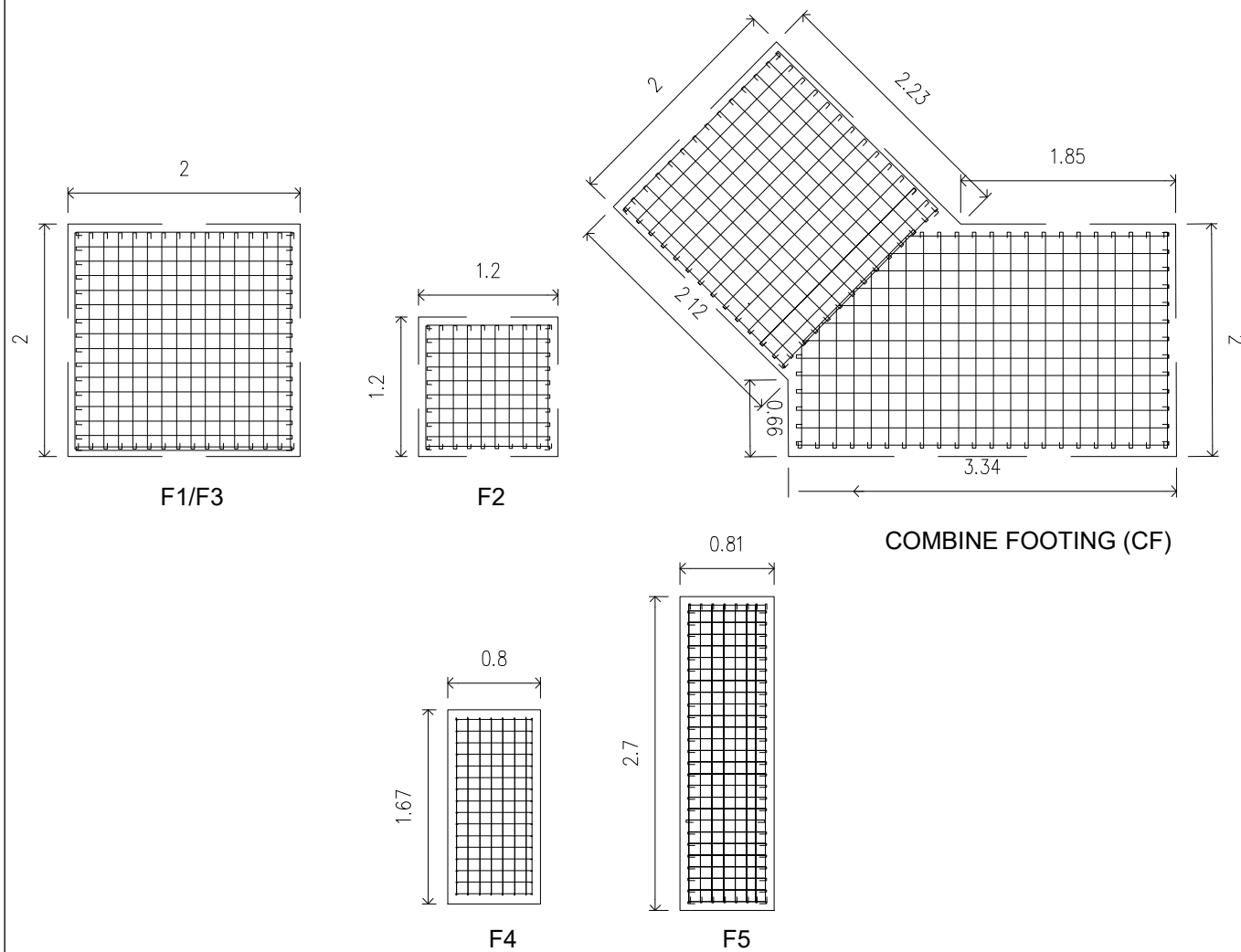
TIN : 474-984-480 PRC : 0068591 PTR : 0470692 Date : 02-06-23 PL. ISS. : MAASIN CITY	Design & Seal JIEN APRIL B. JUALO CIVIL ENGINEER	Project Title : "PROPOSED" (CENTENNIAL) TWO-STOREY LANDMARK PROJECT LOCATION : BRGY. PANGSUGAN, UPPER CAMPUS, VSU, BAYBAY CITY.	Checked by : ENGR. MARCELO T. ABRERA Jr. CODPDM	Noted by : Dr. DANIEL LESLIE S. TAN OPPF	Approved by : Dr. EDGARDO E. TULIN VSU PRESIDENT	SHEET CONTENTS: COLUMN SCHEDULE TIE BEAM DETAIL COLUMN FOOTING DETAIL	Designed by : PFRIME CAD by : JABJ Date Started : 04 '22 Date Finished : 04 '23 Revision : 3.20	S8 13 SHEET NO. 33 66
--	---	--	--	---	---	--	---	---

SCHEDULE OF FOOTING

MARK	DIMENSION		THICKNESS (m)	DEPTH OF EXCAVATION	REBARS	REMARKS
	L (m)	W(m)				
F1	2.00	2.00	0.35	2.60	20mmØ bars SPACED @ .10m BOTHWAYS	
F2	1.20	1.20	0.30	1.55	20mmØ bars SPACED @ .10m BOTHWAYS	
F3	1.20	1.20	0.35	2.85	16mmØ bars SPACED @ .10m BOTHWAYS	
CF	1.20	1.20	0.35	2.85	16mmØ bars SPACED @ .10m BOTHWAYS	combined footing
F4	0.80	1.67	0.35	2.85	16mmØ bars SPACED @ .10m BOTHWAYS	
F5	1.20	1.20	0.35	2.85	16mmØ bars SPACED @ .10m BOTHWAYS	

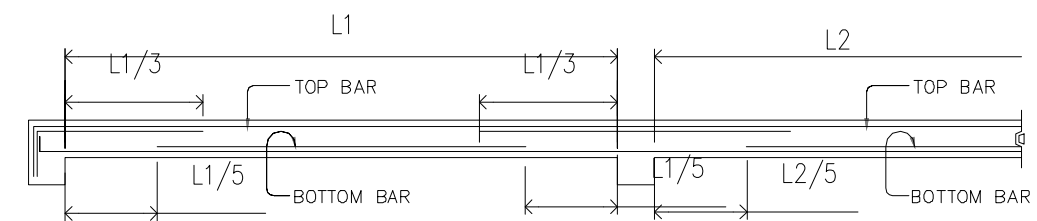
BEAM SCHEDULE

FLOOR LEVEL	BEAM MARK	BEAM DIMENSIONS (mm)		STEEL REINFORCEMENT						12mmØ WEB BAR	STIRRUPS Ø10mm (UNLESS NOTED OTHERWISE)	
		b	h	REBAR SIZE	LEFT SUPPORT		MIDSPAN		RIGHT SUPPORT			
					TOP	BOTT.	TOP	BOTT.	TOP			BOTT.
	TB	250	400	Ø16mm	3	3	3	3	3	3		1Ø50, 6Ø100, RESTØ150
	RB	250	400	Ø16mm	4	2	2	4	4	2	2	1Ø50, 6Ø100, RESTØ150
	CB	300	400	Ø20mm	6	3	-	-	6	3		1Ø50, 6Ø100, RESTØ150
	B	250	300	Ø16mm	3	2	2	3	3	2		1Ø50, 6Ø100, RESTØ150
	RCG-1	350	450	Ø20mm	6	4	4	6	6	4		1Ø50, 6Ø100, RESTØ150
	RCB-2	250	300	Ø20mm	4	3	3	4	4	3		1Ø50, 6Ø100, RESTØ150
	RCB-3	250	300	Ø20mm	4	3	3	4	4	3		1Ø50, 6Ø100, RESTØ150



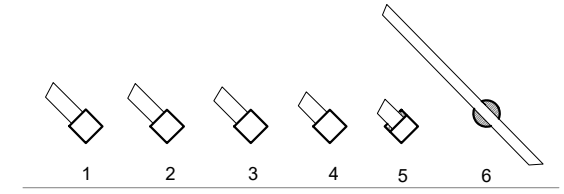
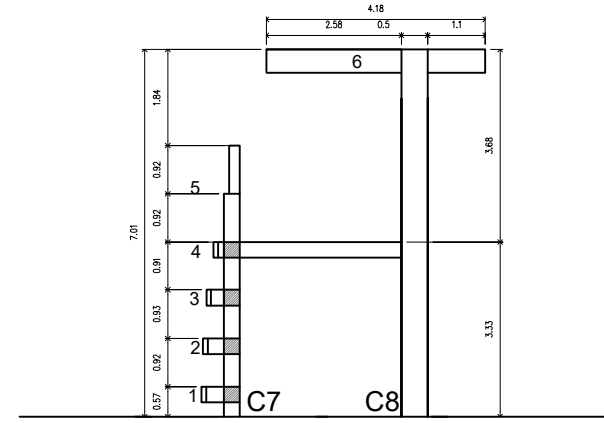
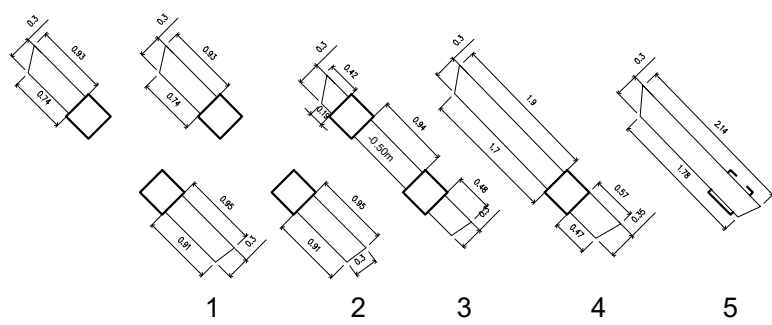
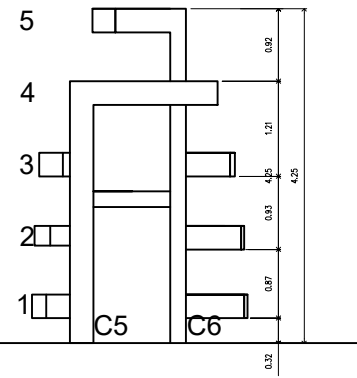
SCHEDULE OF SLABS

FLOOR LEVEL	SLAB MARK	THICKNESS	REBAR SPACING ALONG SHORT DIRECTION in mm						REBAR SPACING ALONG SHORT DIRECTION in mm						REMARKS		
			REBAR SIZE	LEFT SUPPORT		MIDSPAN		RIGHT SUPPORT		REBAR SIZE	LEFT SUPPORT		MIDSPAN			RIGHT SUPPORT	
				TOP	BOTT.	TOP	BOTT.	TOP	BOTT.		TOP	BOTT.	TOP	BOTT.		TOP	BOTT.
4TH CONCRETE GUTTER	S1	100	Ø10mm	200	200	-	300	200	300	Ø10mm	250	300	-	300	250	300	TWO WAY



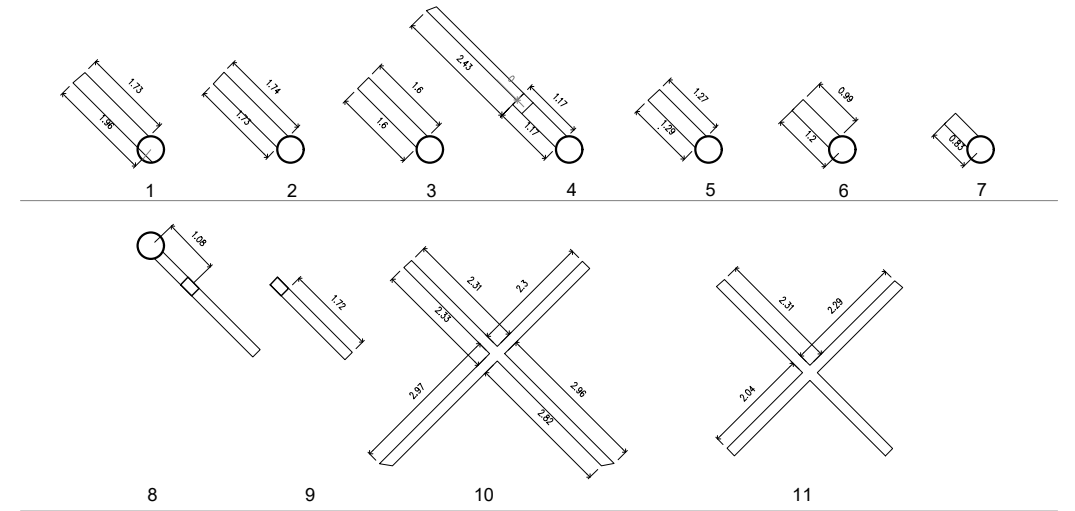
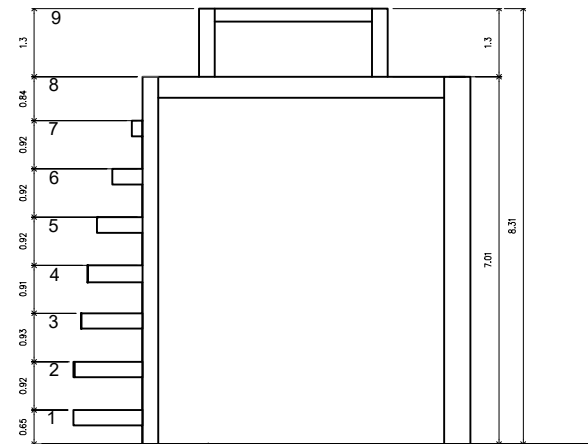
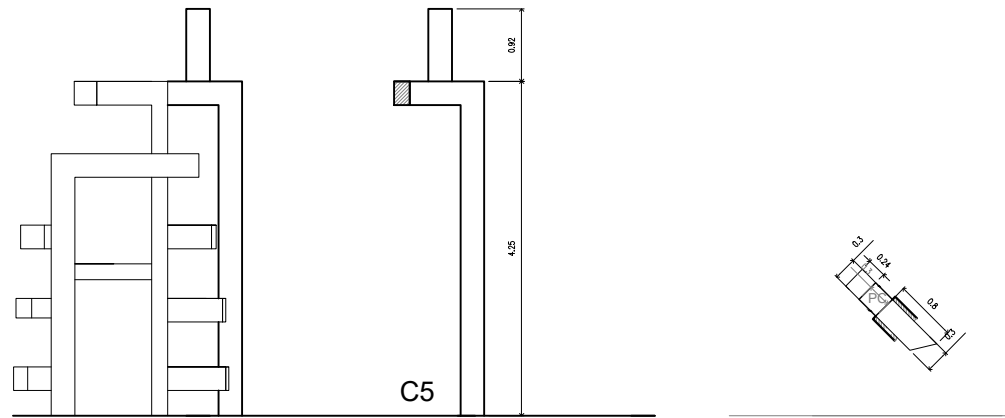
TYP. SLAB DETAIL
NOT TO SCALE

TIN : 474-984-480	Design & Seal	Project Title :	Checked by :	Noted by :	Approved by :	SHEET CONTENTS: SCHEDULE OF FOOTING SCHEDULE OF BEAM SCHEDULE OF SLABS TYPICAL WALL FOOTING DETAIL	Designed by : PFRIME
PRC : 0068591	JIEN APRIL B. JUALO CIVIL ENGINEER	"PROPOSED" (CENTENNIAL) TWO-STOREY LANDMARK PROJECT LOCATION : BRGY. PANGASUGAN, UPPER CAMPUS, VSU, BAYBAY CITY.	ENGR. MARCELO T. ABRERA Jr. ODIPEDMM	Dr. DANIEL LESLIE S. TAN OMPAF	Dr. EDGARDO E. TULIN VSU PRESIDENT		CAD by : JABU
PTR : 0470692							Date Started : 04 '22
Date : 02-06-23							Date Finished : 04 '23
PL. ISS. : MAASIN CITY							Revision : 3.20
							S9 13 SHEET NO. 34 66



ALONG GL.8-H
NOT TO SCALE

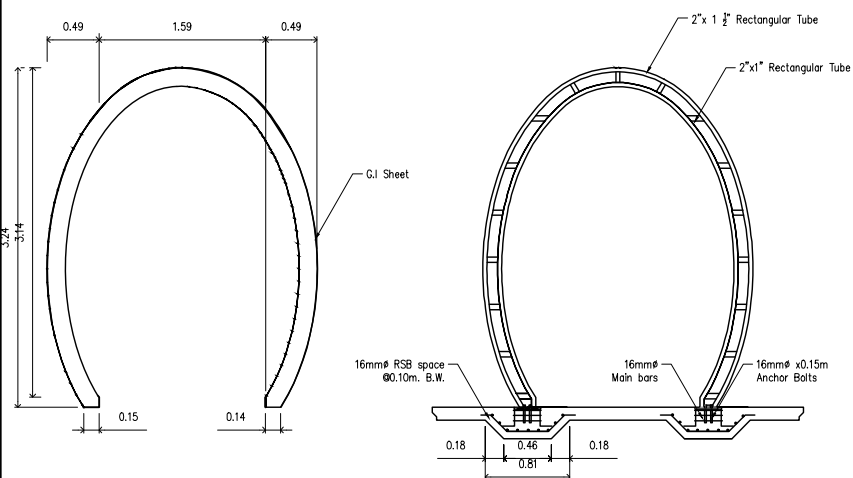
ALONG GL.6-F
NOT TO SCALE



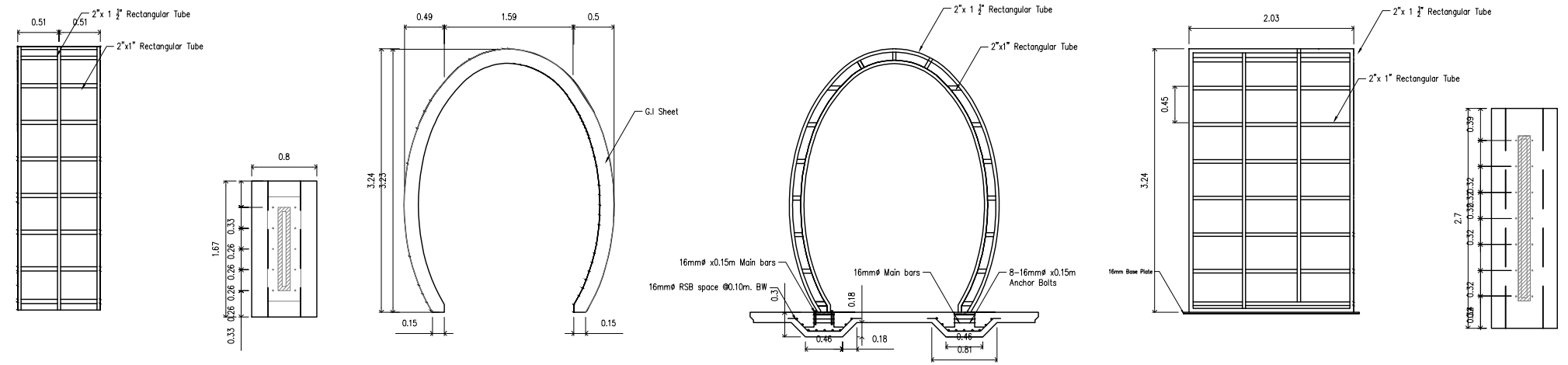
ALONG GL.7-G
NOT TO SCALE

ELEVATION OF BEAM/COLUMNS
NOT TO SCALE

ALONG GL.7-G
NOT TO SCALE

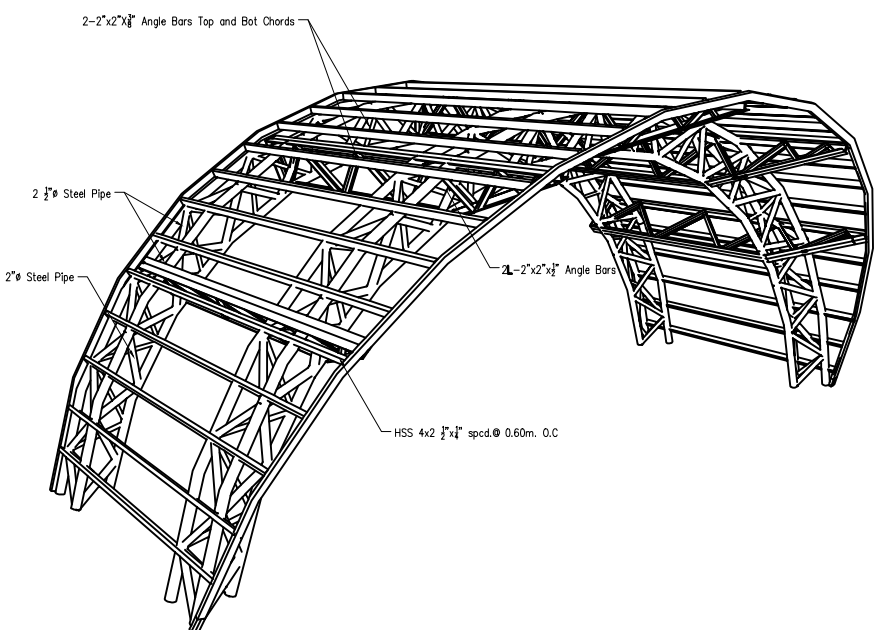
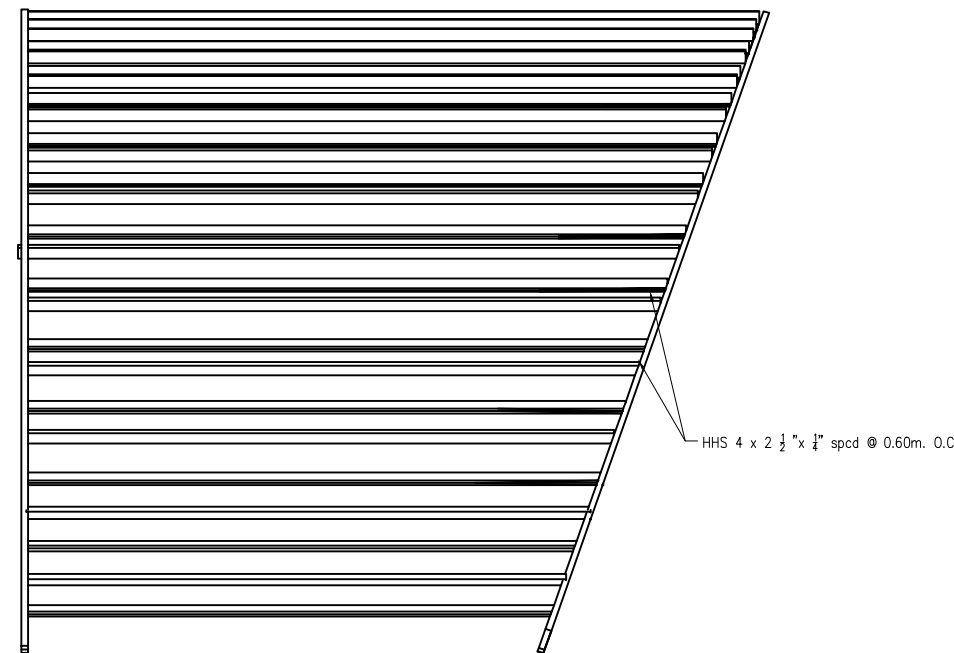
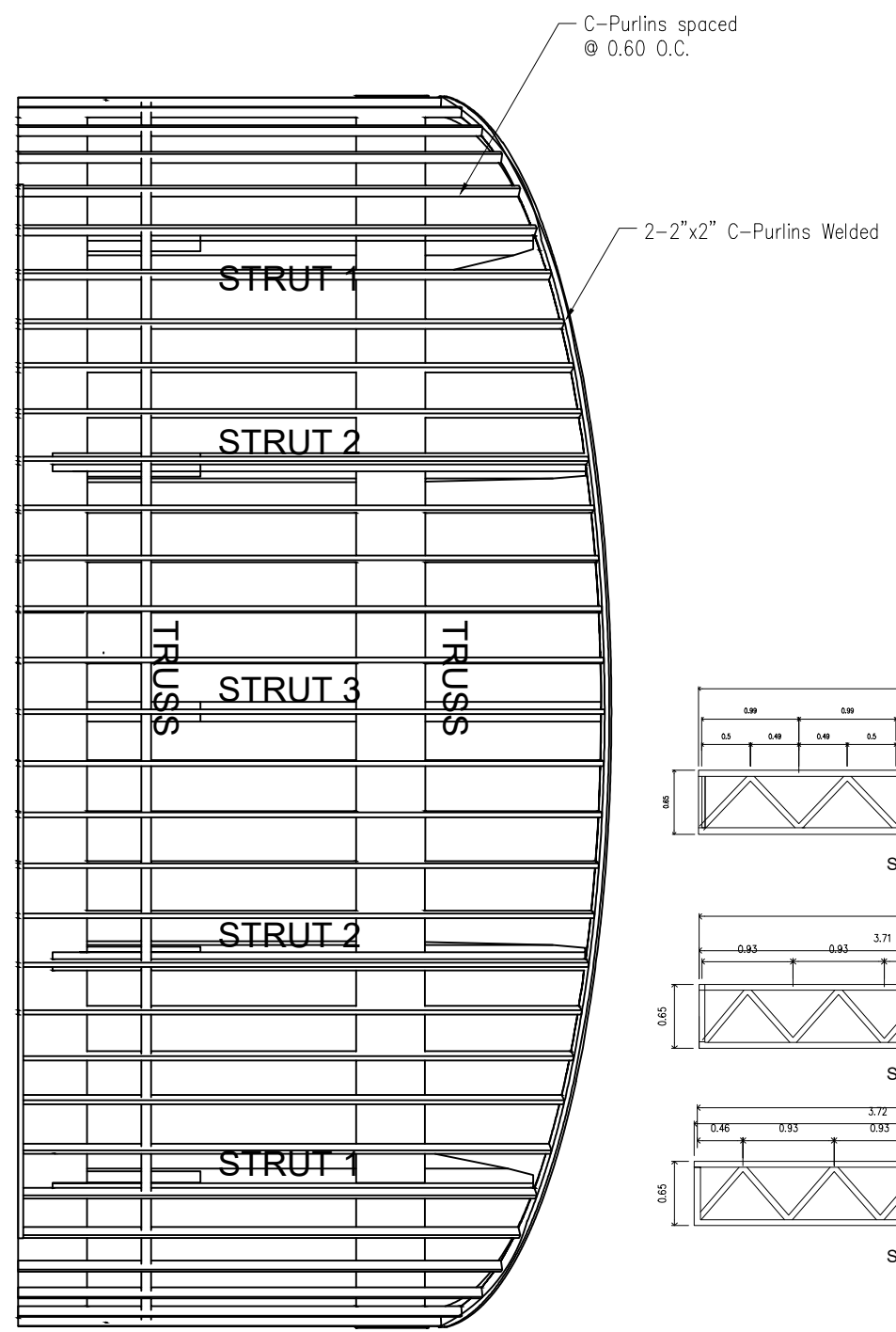


C4 DETAILS
SCALE 1:75

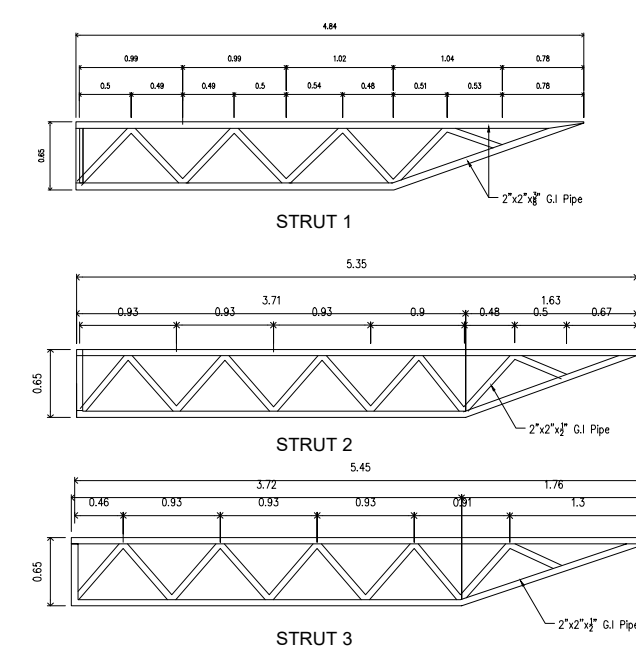


C8 DETAILS
SCALE 1:75

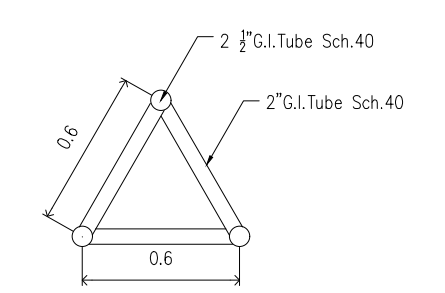
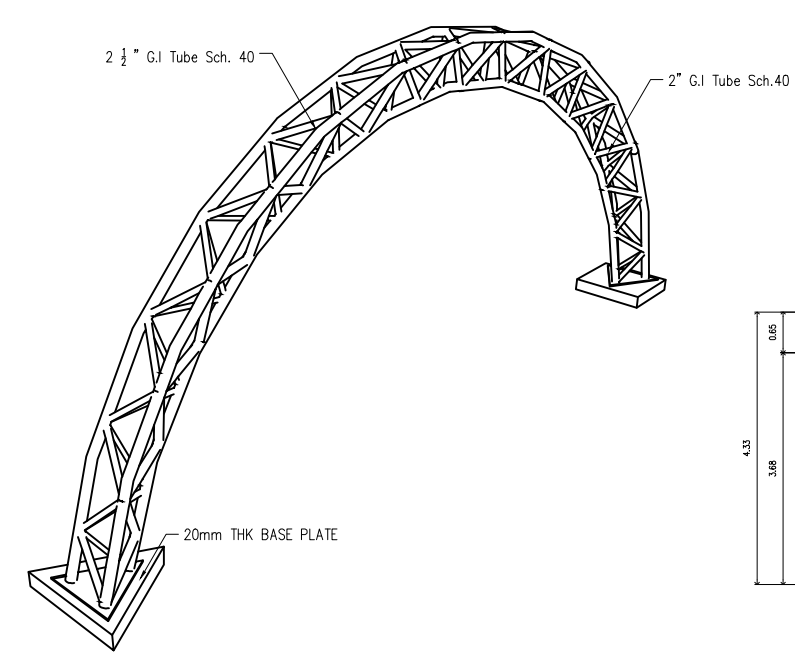
TIN : 474-984-480	Design & Seal	Project Title :	Checked by :	Noted by :	Approved by :	SHEET CONTENTS:	Designed by : PFRIME	<div style="border: 1px solid black; border-radius: 50%; padding: 5px; display: inline-block;"> S10 13 SHEET NO. 35 66 </div>
PRC : 0068591	JIEN APRIL B. JUALO CIVIL ENGINEER	"PROPOSED" (CENTENNIAL) TWO-STOREY LANDMARK PROJECT LOCATION : ERGY. PANGASUGAN, UPPER CAMPUS, VSU, BAYBAY CITY.	ENGR. MARCELO T. ABRERA Jr. RPDMD	Dr. DANIEL LESLIE S. TAN OVPF	Dr. EDGARDO E. TULIN VSU PRESIDENT	COLUMNS DETAILS	CAD by : JABU	
PTR : 0470692						Date Started : 04 '22		
Date : 02-06-23						Date Finished : 04 '23		
PL. ISS. : MAASIN CITY						Revision : 3.20		



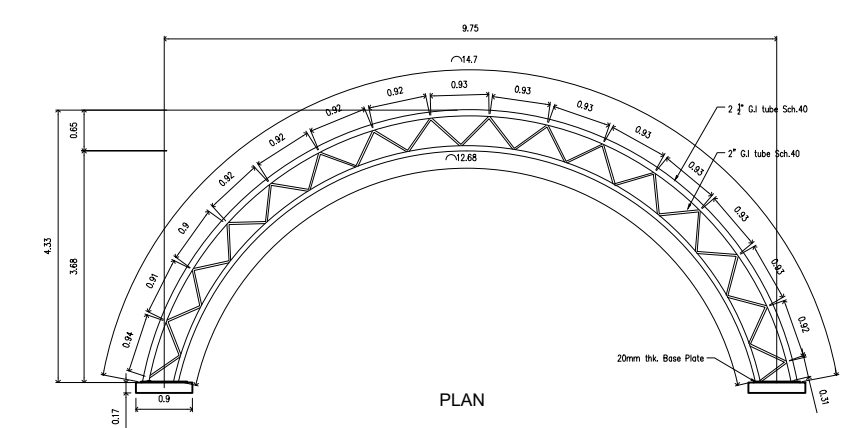
○ TRUSS ELEVATION
SCALE 1:100



○ STRUT DETAIL
SCALE 1:100



CROSS SECTION

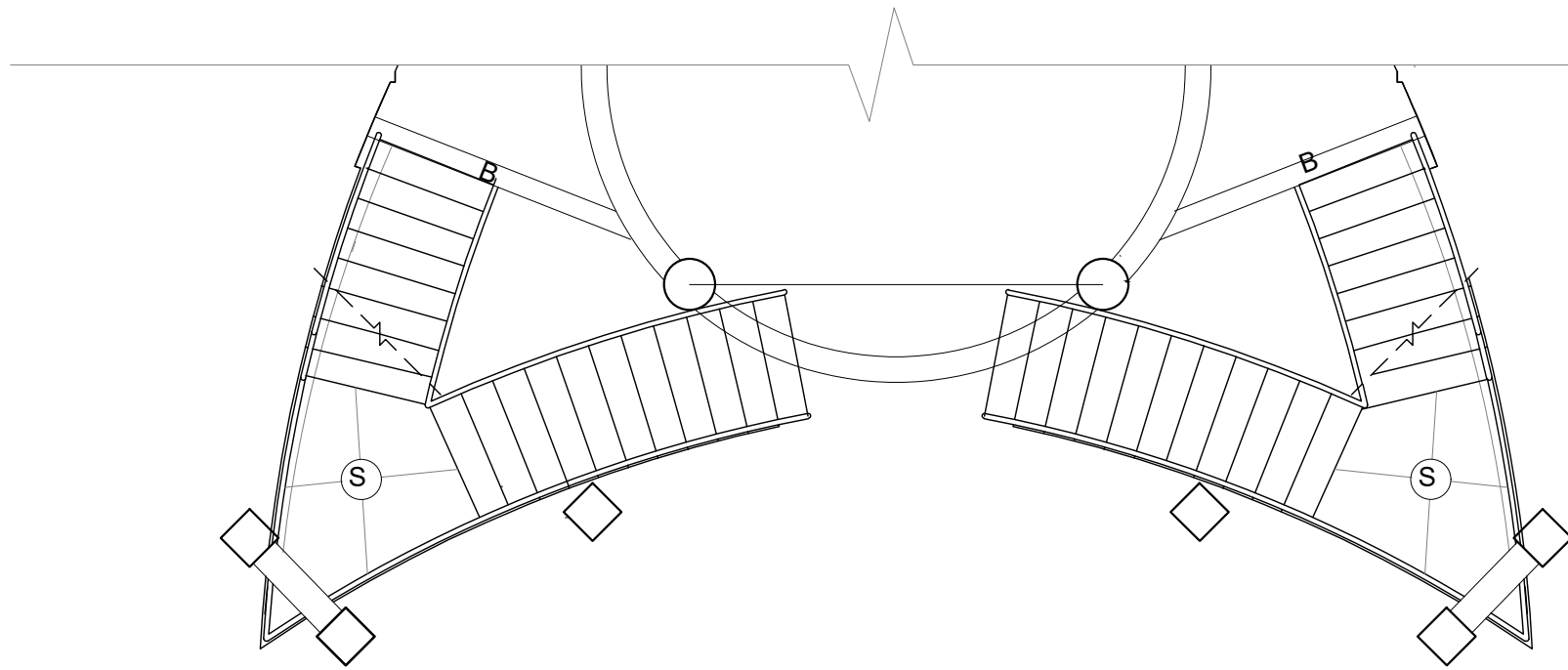


PLAN

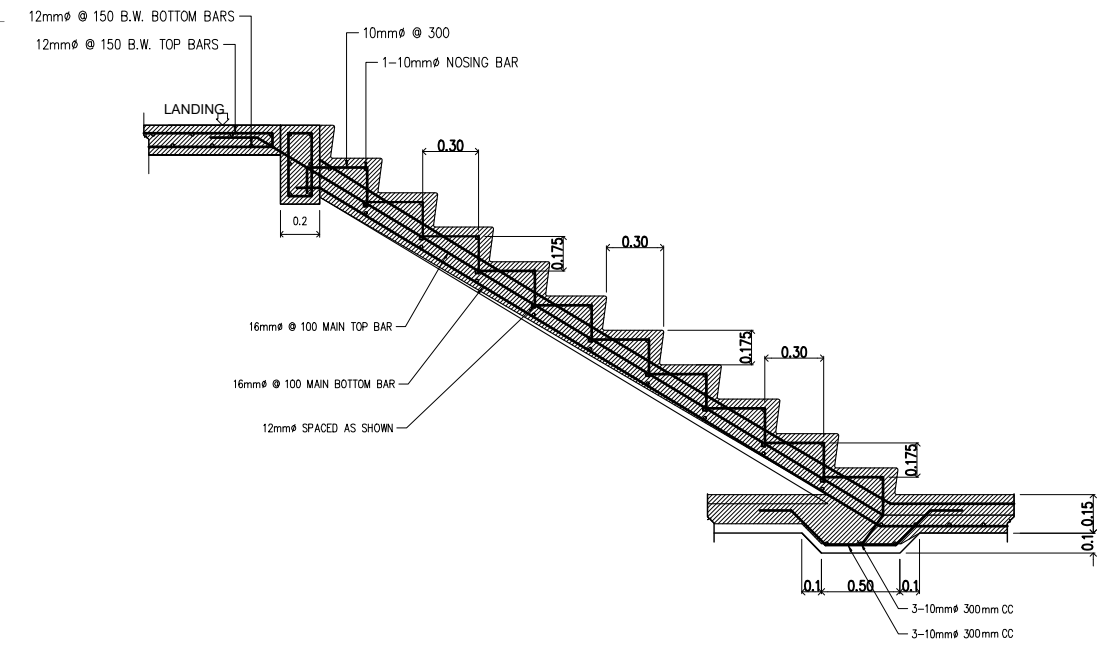
○ TRUSS DETAILS
NOT TO SCALE

○ ROOF FRAMING PLAN
NOT TO SCALE

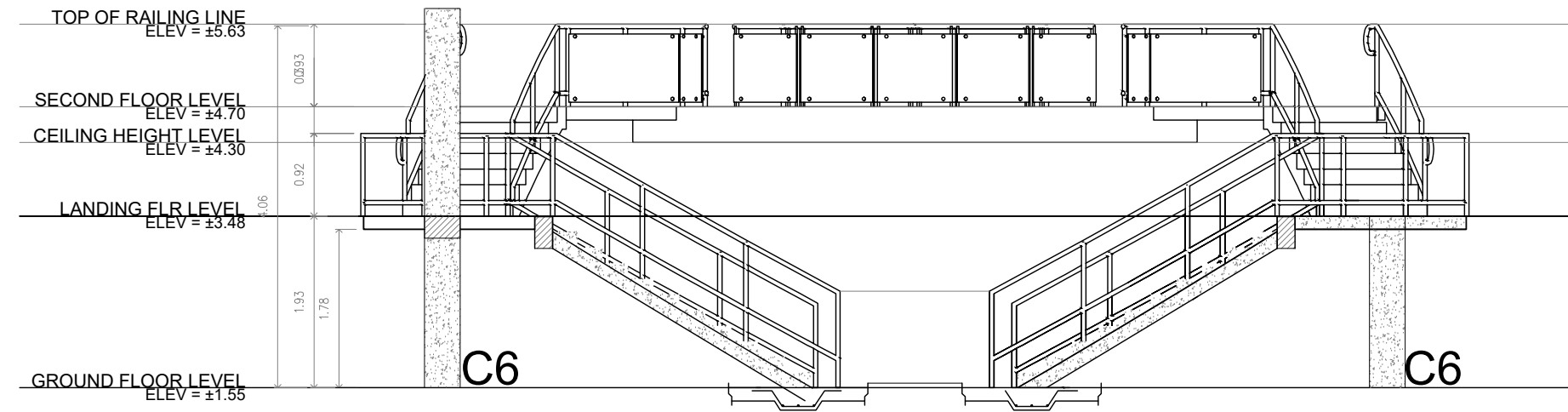
TIN : 474-984-480	Design & Seal	Project Title :	Checked by :	Noted by :	Approved by :	SHEET CONTENTS:	Designed by : PFRIME	<div style="border: 1px solid black; border-radius: 50%; padding: 5px; display: inline-block;">S1113</div> SHEET NO. <div style="border: 1px solid black; border-radius: 50%; padding: 5px; display: inline-block;">3666</div>
PRC : 0068591	JIEN APRIL B. JUALO CIVIL ENGINEER	"PROPOSED" (CENTENNIAL) TWO-STOREY LANDMARK PROJECT LOCATION : ERGY. PANGSUGAN, UPPER CAMPUS, VSU, BAYBAY CITY.	ENGR. MARCELO T. ABRERA Jr. RIPDMO	Dr. DANIEL LESLIE S. TAN OPRF	Dr. EDGARDO E. TULIN VSU PRESIDENT	ROOF FRAMING PLAN	CAD by : JABU	
PIR : 0470692						Date Started : 04 '22		
Date : 02-06-23						Date Finished : 04 '23		
PL. ISS. : MAASIN CITY						Revision : 3.20		



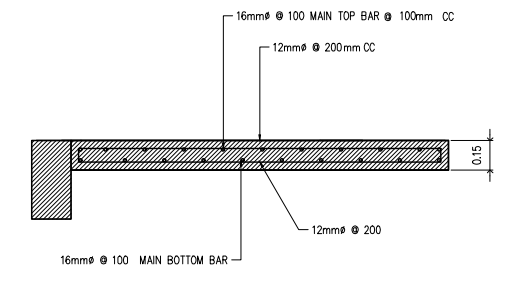
○ STAIR FRAMING PLAN
NOT DRAWN TO SCALE



○ TYPICAL STAIR DETAIL
SCALE 1:40

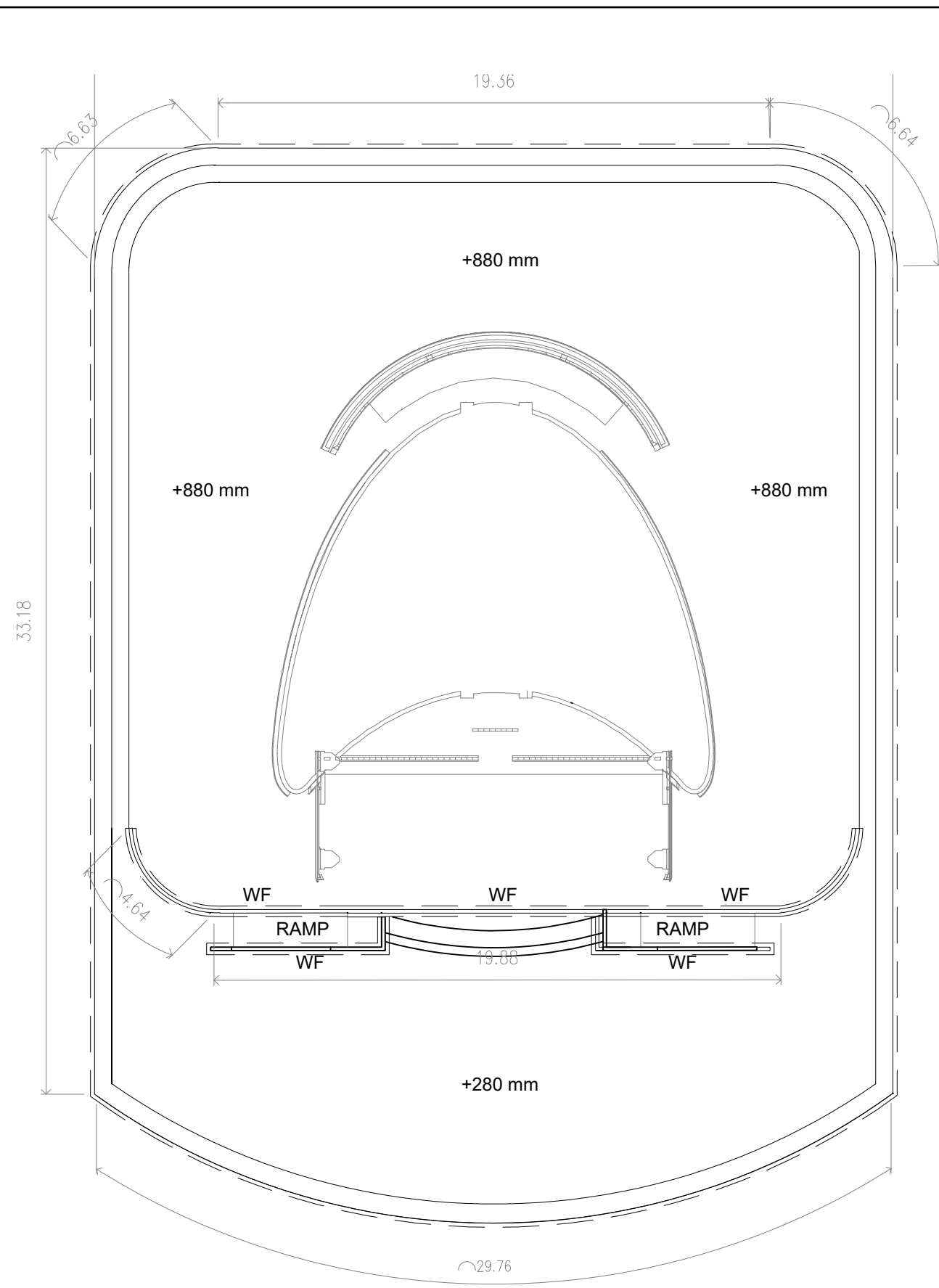


○ STAIR SECTION DETAIL
NOT DRAWN TO SCALE

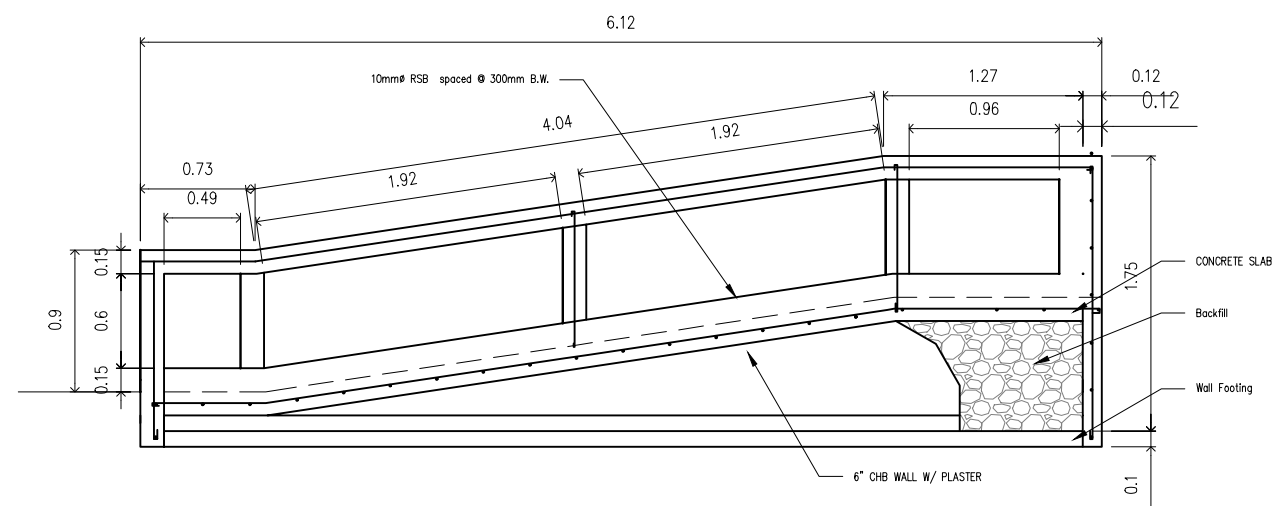


○ TYP. SECTION OF STAIR SLAB
SCALE 1:40

TIN : 474-984-480	Design & Seal	Project Title :	Checked by :	Noted by :	Approved by :	SHEET CONTENTS:	Designed by : PFRIME	<div style="border: 1px solid black; border-radius: 50%; width: 40px; height: 40px; display: flex; align-items: center; justify-content: center;"> <div style="text-align: center;"> <p>S12 13</p> <p>SHEET NO.</p> <p>37 66</p> </div> </div>
PRC : 0068591	JIEN APRIL B. JUALO CIVIL ENGINEER	"PROPOSED" (CENTENNIAL) TWO-STOREY LANDMARK PROJECT LOCATION : ERGY, PANGASUGAN, UPPER CAMPUS, VSU, BAYBAY CITY.	ENGR. MARCELO T. ABRERA Jr. RIPDMO	Dr. DANIEL LESLIE S. TAN OVPF	Dr. EDGARDO E. TULIN VSU PRESIDENT	TYPICAL STAIR DETAILS	CAD by : JABU	
PTR : 0470692						Date Started : 04 '22		
Date : 02-06-23						Date Finished : 04 '23		
PL. ISS. : MAASIN CITY						Revision : 3.20		

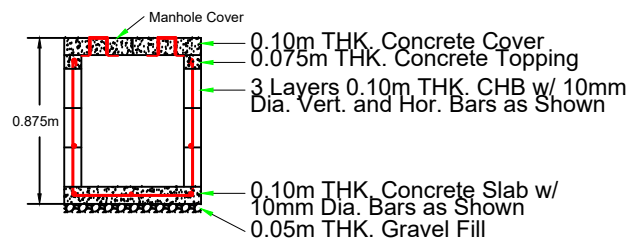
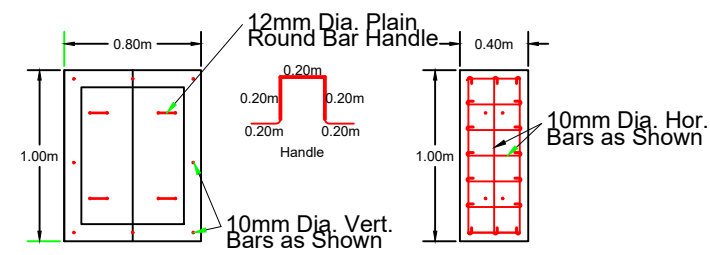
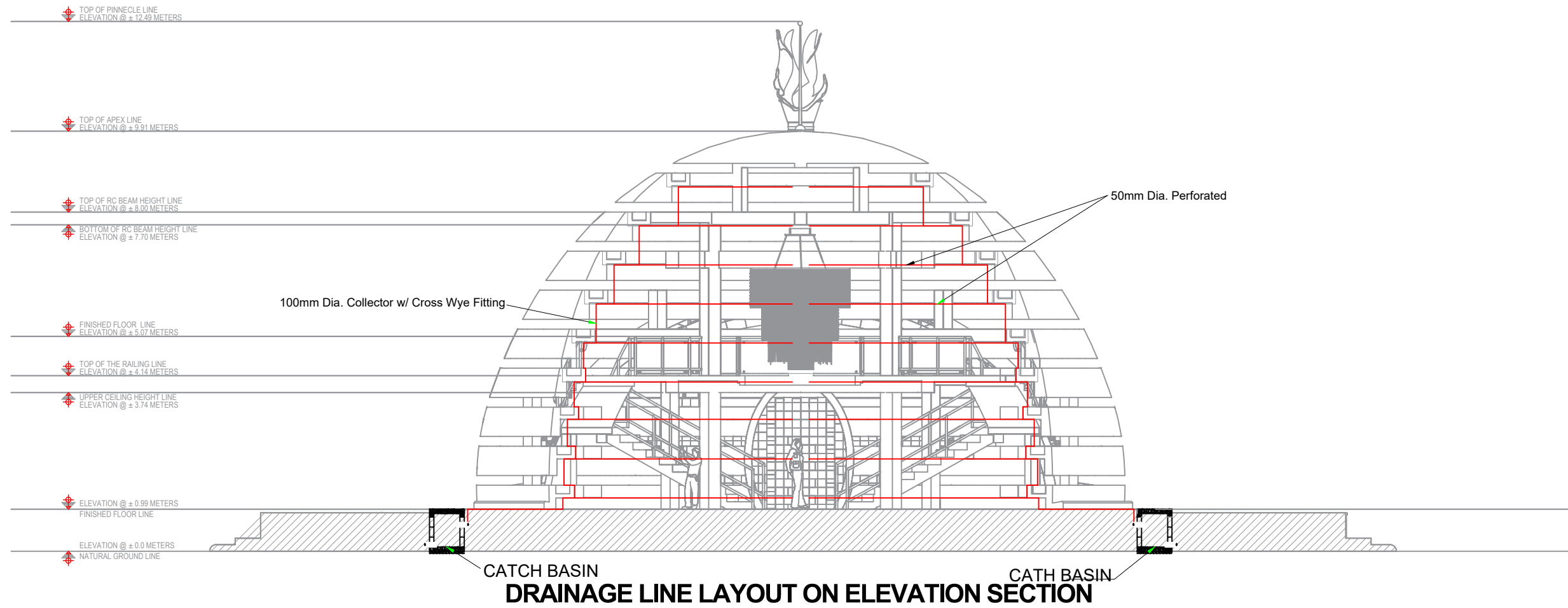


○ SLAB ON GRADE PLAN
SCALE 1:200



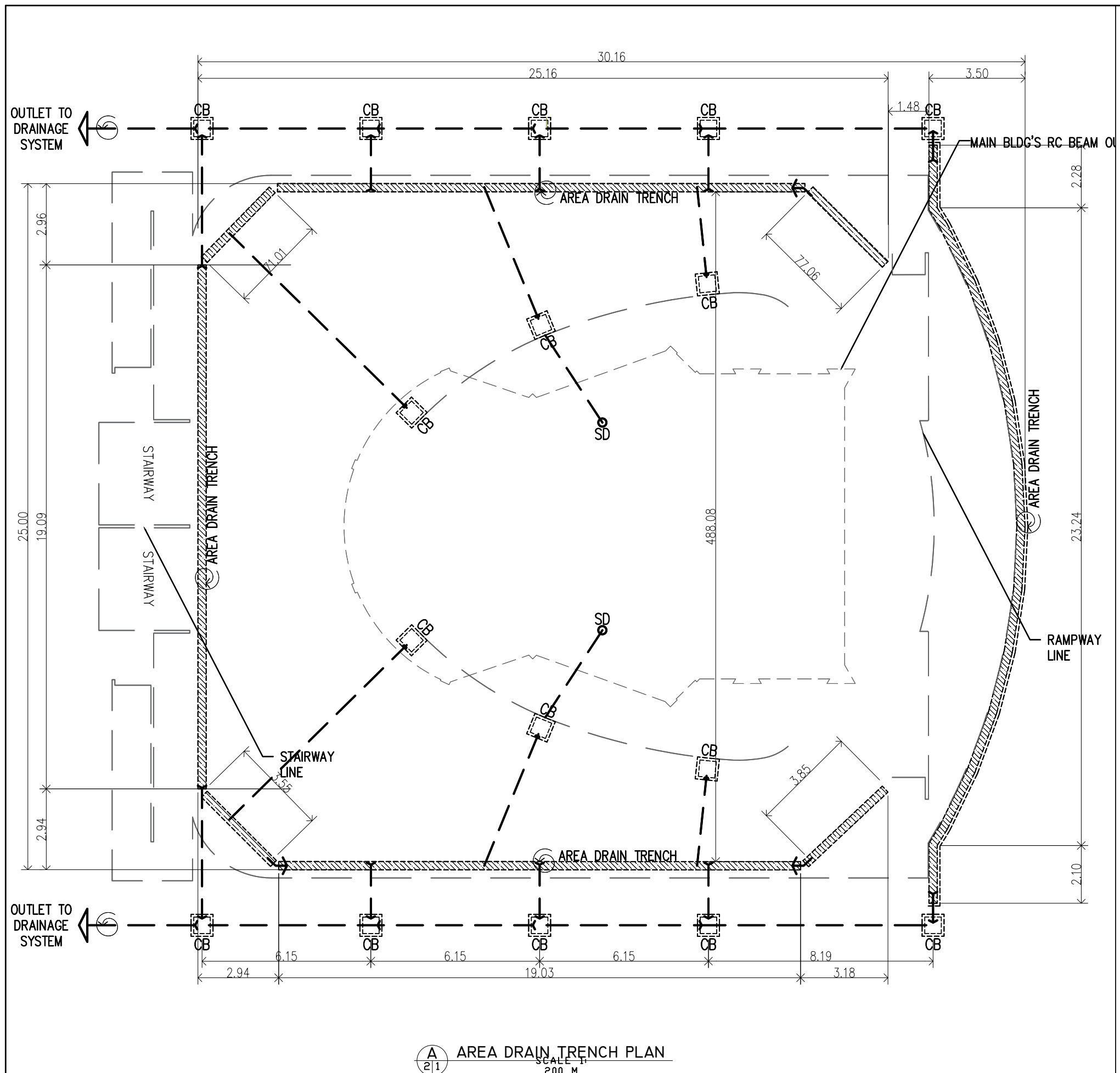
○ RAMP DETAILS
SCALE 1:50

TIN : 474-984-480	Design & Seal	Project Title :	Checked by :	Noted by :	Approved by :	SHEET CONTENTS:	Designed by : PFRIME	<div style="border: 1px solid black; border-radius: 50%; padding: 5px; display: inline-block;"> S13 13 SHEET NO. 38 66 </div>
PRC : 0068591	JIEN APRIL B. JUALO CIVIL ENGINEER	"PROPOSED" (CENTENNIAL) TWO-STOREY LANDMARK PROJECT LOCATION : ERGY, PANGASUGAN, UPPER CAMPUS, VSU, BAYBAY CITY.	ENGR. MARCELO T. ABRERA Jr. RIPDMO	Dr. DANIEL LESLIE S. TAN OPRF	Dr. EDGARDO E. TULIN VSU PRESIDENT	SLAB ON GRADE PLAN	CAD by : JABU	
PTR : 0470692						Date Started : 04 '22		
Date : 02-06-23						Date Finished : 04 '23		
PL. ISS. : MAASIN CITY						Revision : 3.20		

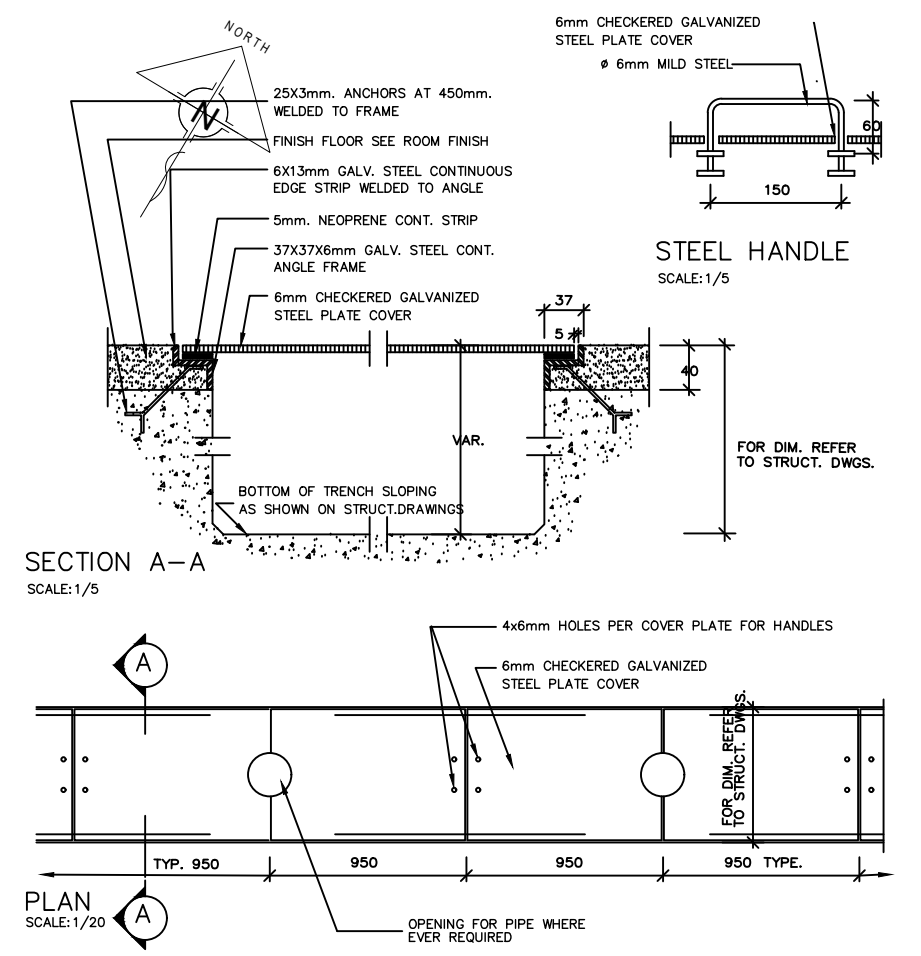


DETAIL OF CATCH BASIN

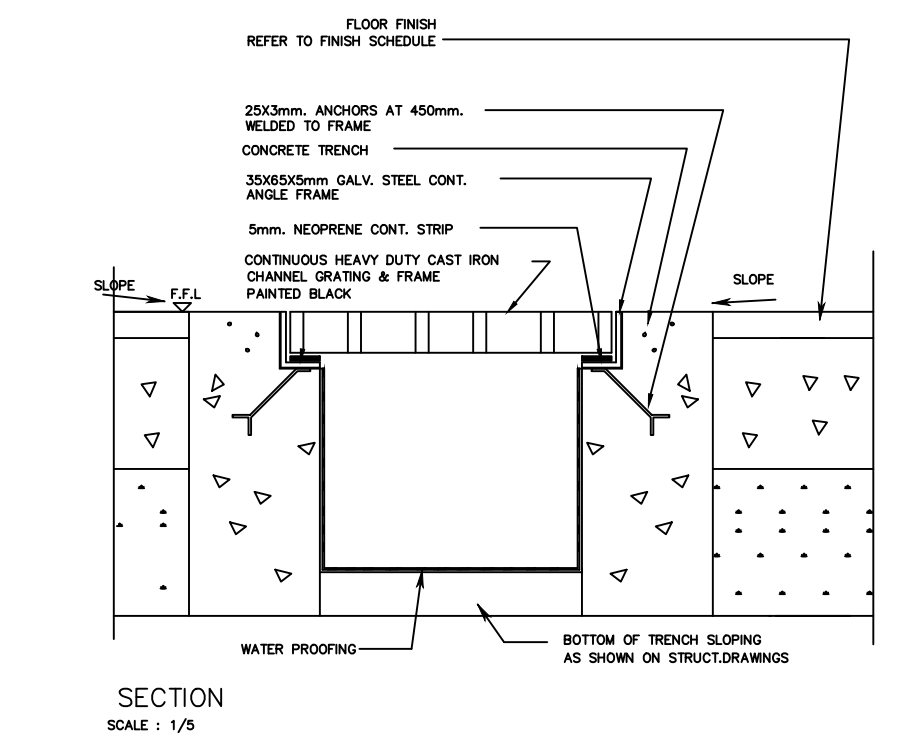
TIN : -	Design & Seal	Project Title :	Checked by :	Noted by :	Approved by :	SHEET CONTENTS:	Designed by : BADZ	<div style="border: 1px solid black; border-radius: 50%; width: 40px; height: 40px; display: flex; flex-direction: column; align-items: center; justify-content: center;"> M7 09 SHEET NO. 64 66 </div>
PRC : -		"PROPOSED"				DRAINAGE SYSTEM ILLUSTRATION	CAD by : ED LOBINA	
PTR : -		CENTENNIAL					Date Started : 03 '23	
Date : -	MARCELO T. ABRERA, JR.	TWO-STOREY LANDMARK BUILDING	ENGR. MARCELO T. ABRERA Jr.	Dr. DANIEL LESLIE S. TAN	Dr. EDGARDO E. TULIN		Date Finished : 03 '23	
PL. ISS. :-	REG. MASTER PLUMBER	PROJECT	FIPMO	OPPF	VSU PRESIDENT		Revision : 3.20	
		LOCATION : BRGY. PANGASUGAN, UPPER CAMPUS, VSU, BAYBAY CITY.						



A
21
AREA DRAIN TRENCH PLAN
SCALE: 1:200 M

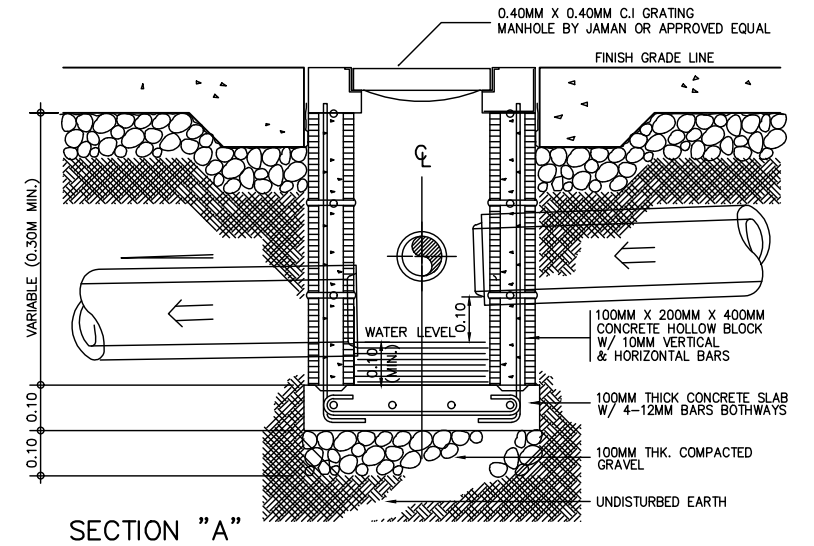
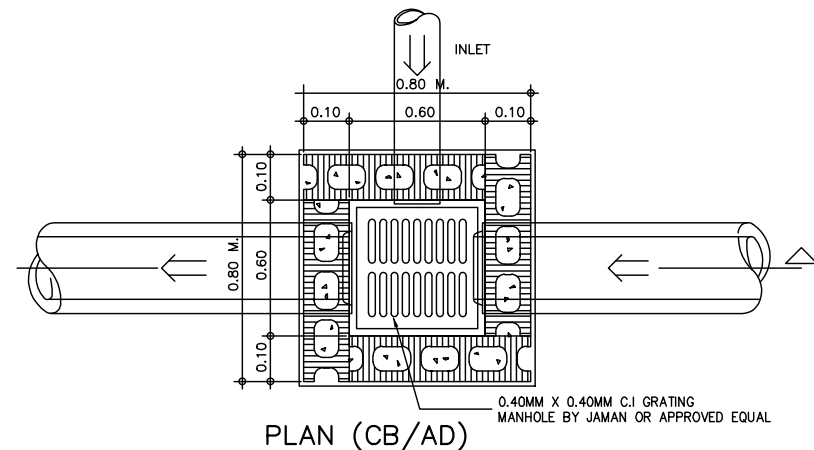
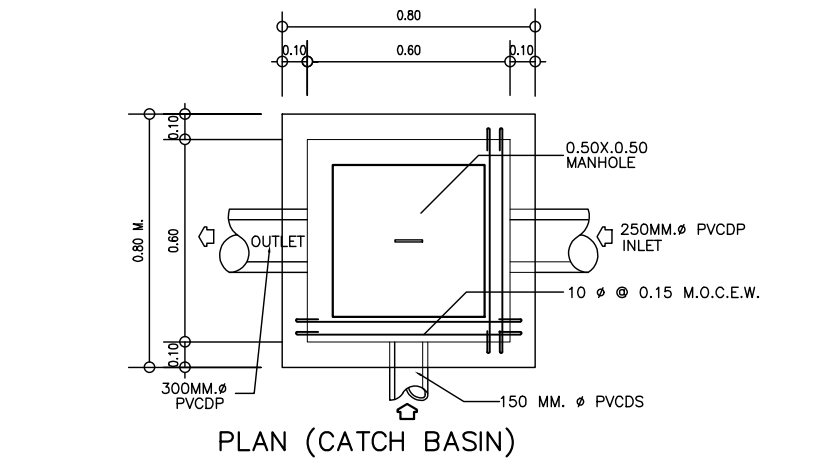


03 TRENCH COVER DETAIL
SCALE AS SHOWN



02 TRENCH GRATING DETAIL
SCALE: 1/5

TIN : -	Design & Seal	Project Title :	Checked by:	Noted by:	Approved by:	Sheet Contents	Designed by : ELVON	<div style="border: 1px solid black; border-radius: 50%; width: 40px; height: 40px; display: flex; align-items: center; justify-content: center; text-align: center;"> <div style="border: 1px solid black; border-radius: 50%; width: 20px; height: 20px; display: flex; align-items: center; justify-content: center;">P1</div> <div style="border: 1px solid black; border-radius: 50%; width: 20px; height: 20px; display: flex; align-items: center; justify-content: center;">02</div> </div> <div style="border: 1px solid black; border-radius: 50%; width: 40px; height: 40px; display: flex; align-items: center; justify-content: center; text-align: center;"> <div style="border: 1px solid black; border-radius: 50%; width: 20px; height: 20px; display: flex; align-items: center; justify-content: center;">65</div> <div style="border: 1px solid black; border-radius: 50%; width: 20px; height: 20px; display: flex; align-items: center; justify-content: center;">66</div> </div>	
PRC : -	MARCELO T. ABRERA, JR. REG. MASTER PLUMBER	"PROPOSED"	ENGR. MARCELO T. ABRERA Jr. RIPMO	Dr. DANIEL LESLIE S. TAN OPPF	Dr. EDGARDO E. TULIN VSU PRESIDENT	AREA DRAIN TRENCH	CAD by : ELVON		
PTR : -		TWO-STOREY LANDMARK BUILDING				Date Started : Oct '22	SHEET NO.		
Date : -		PROJECT				LOCATION : BRGY. PANGASUGAN, UPPER CAMPUS, VSU, BAYBAY CITY.	Date Finished : Nov '22		65
PL. ISS. :-							Revision : 6.20		66



P 21
DETAIL OF CATCH BASIN
 NTS

GENERAL NOTES:

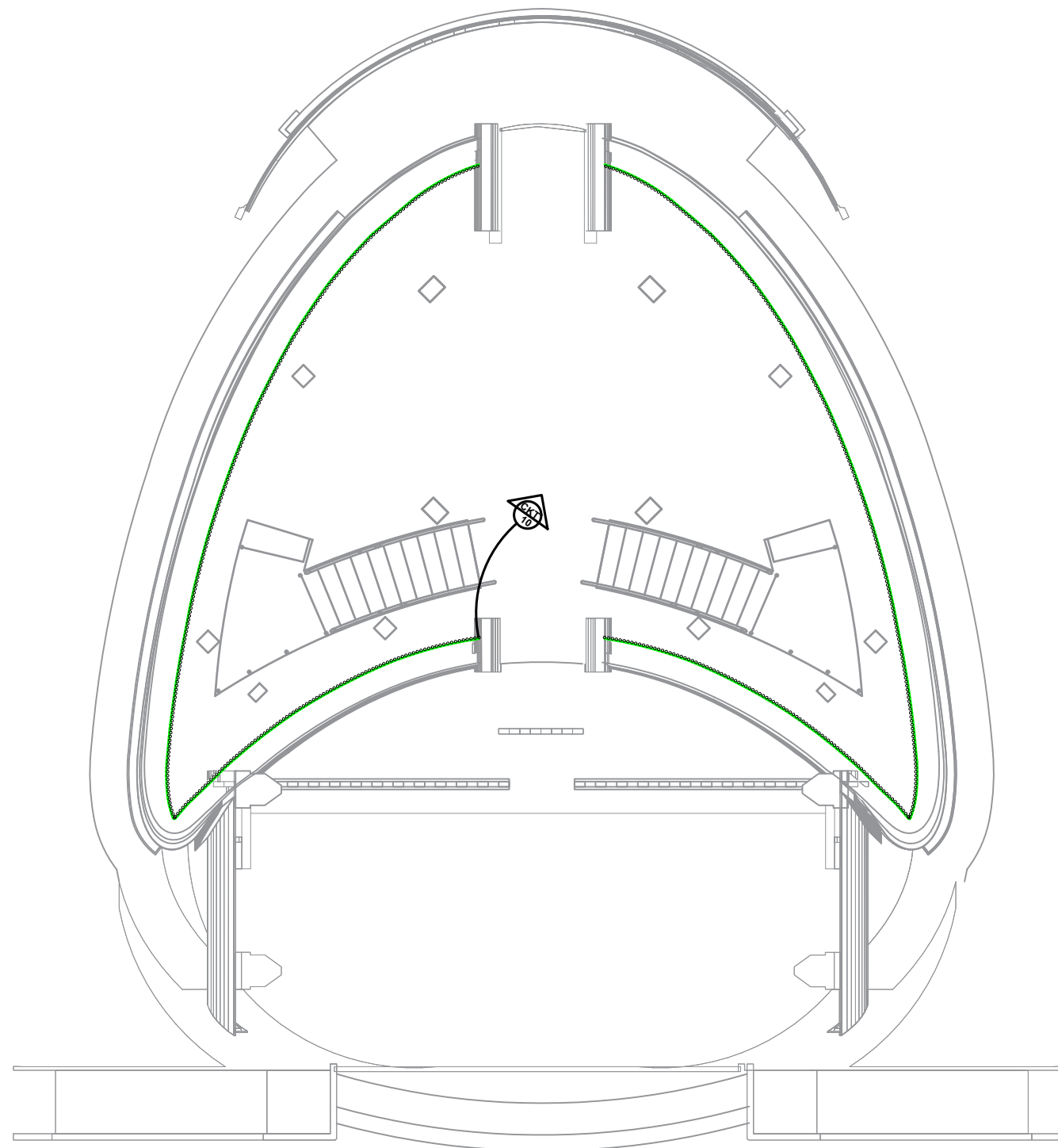
1. ALL SANITARY WORKS INCLUDE HEREIN SHALL BE EXECUTED ACCORDING TO THE PROVISIONS OF THE NATIONAL PLUMBING CODE OF THE PHILIPPINES, THE NATIONAL BUILDING CODE OF THE PHILIPPINES, AND ITS IMPLEMENTING RULES AND REGULATIONS.
2. COORDINATE THE DRAWING WITH OTHER RELATED DRAWINGS AND SPECIFICATIONS. THE ARCHITECT AND/OR THE ENGINEER SHALL BE NOTIFIED IMMEDIATELY OF ANY DISCREPANCY FOUND THEREIN. HIS/HER DECISION SHALL BE FINAL.
3. ALL PIPES SHALL BE INSTALLED AS INDICATED. ANY RELOCATION REQUIRED FOR PROPER EXECUTION OF OTHER TRADES SHALL BE WITH PRIOR APPROVAL OF THE ARCHITECT AND /OR ENGINEER.
4. PROPOSED SANITARY UTILITIES SHALL CONFORM TO THE ACTUAL LOCATION, DEPTH AND INVERT ELEVATION OF EXISTING PIPES AND STRUCTURES AS VERIFIED BY THE CONTRACTOR.
5. THE CONTRACTOR SHALL BE RESPONSIBLE FOR ALL REQUIRED FLOOR AND WALL OPENINGS.
6. ALL SLOPES FOR HORIZONTAL DRAINAGE SHALL MAINTAIN 1% AS MINIMUM, UNLESS OTHERWISE NOTED.
7. SIZE OF WATER SUPPLY PIPES TO FIXTURES SHALL BE IN ACCORDANCE WITH THE MANUFACTURER'S INSTRUCTIONS.
8. ALL FIXTURES SHALL BE VENTED, UNLESS OTHERWISE NOTED.
9. THE WORK THROUGHOUT SHALL BE EXECUTED IN THE BEST AND MOST THOROUGH MANNER KNOWN TO THE TRADE AND TO THE SATISFACTION OF THE ARCHITECT AND /OR THE ENGINEER.
10. THE CONTRACTOR SHALL VERIFY ALL EXISTING UTILITIES AT SITE AND COORDINATE THE WORKS WITH THE SEWER EFFLUENT DISPOSAL AND WATERLINE SERVICE CONNECTING POINT.
11. REFER TO TECHNICAL SPECIFICATION FOR DETAILED MATERIAL AND EQUIPMENT SPECIFICATIONS.
12. AIR CHAMBER : ALL INDIVIDUAL BRANCHES TO FIXTURE OR GROUP OF FIXTURE AND/OR EQUIPMENT SHALL BE PROVIDED WITH AIR CHAMBER CAPPED VERTICAL PIPE EXTENSION OF DIMENSION AS IN DETAIL.
13. ALL SEWER LINES, MAIN VENT STACKS, CIRCUIT VENT AND DOWNSPOUT SHALL BE PVC PIPE.
14. ALL COLD WATER LINES SHALL BE NELTEX PIPE (PPR PN-20) AND ALSO FOR HOT WATER LINE.

LEGEND & SYMBOLS:

WC	WATER CLOSET	SH	SHOWER HEAD
UR	URINAL	DP	DRAIN PIPE
LAV	LAVATORY	WS	WASTE STACK
FAU	FAUCET	SP	SOIL PIPE
CB	CATCH BASIN	VS	VENT STACK
FD	FLOOR DRAIN	VPAC	VENT PIPE ABOVE CEILING
FCO	FLOOR CLEAN OUT	CWL	COLD WATER LINE
TD	TRENCH DRAIN	PUDP	PERFORATED UNDERDRAIN PIPE
GD	GUTTER DRAIN	{-----}	SEWER LINE
GV	GATE VALVE	{-----}	VENT LINE
HB	HOSE BIBB	{-----}	STORM DRAINAGE LINE
DS	DOWN SPOUT	{-----}	WATER SUPPLY LINE
MH	MANHOLE		
	CB/AD CATCH BASIN / AREA DRAIN		
	VSTE VENT STACK THRU EAVES		

TIN : -	Design & Seal	Project Title :	Checked by:	Noted by:	Approved by:	Sheet Contents	Designed by : ELVON
PRC : -	MARCELO T. ABRERA, JR. REG. MASTER PLUMBER	"PROPOSED" CENTENNIAL TWO-STOREY LANDMARK BUILDING PROJECT LOCATION : ERG. PANGSUGAN, UPPER CAMPUS, VSU, BAYBAY CITY.	ENGR. MARCELO T. ABRERA Jr. RIPDMO	Dr. DANIEL LESLIE S. TAN OPPF	Dr. EDGARDO E. TULIN VSU PRESIDENT	AREA DRAIN TRENCH	CAD by : ELVON
PTR : -						Date Started : Oct '22	
Date : -						Date Finished : Nov '22	
PL. ISS. :-						Revision : 6.20	

P2 02
 SHEET NO.
66 66

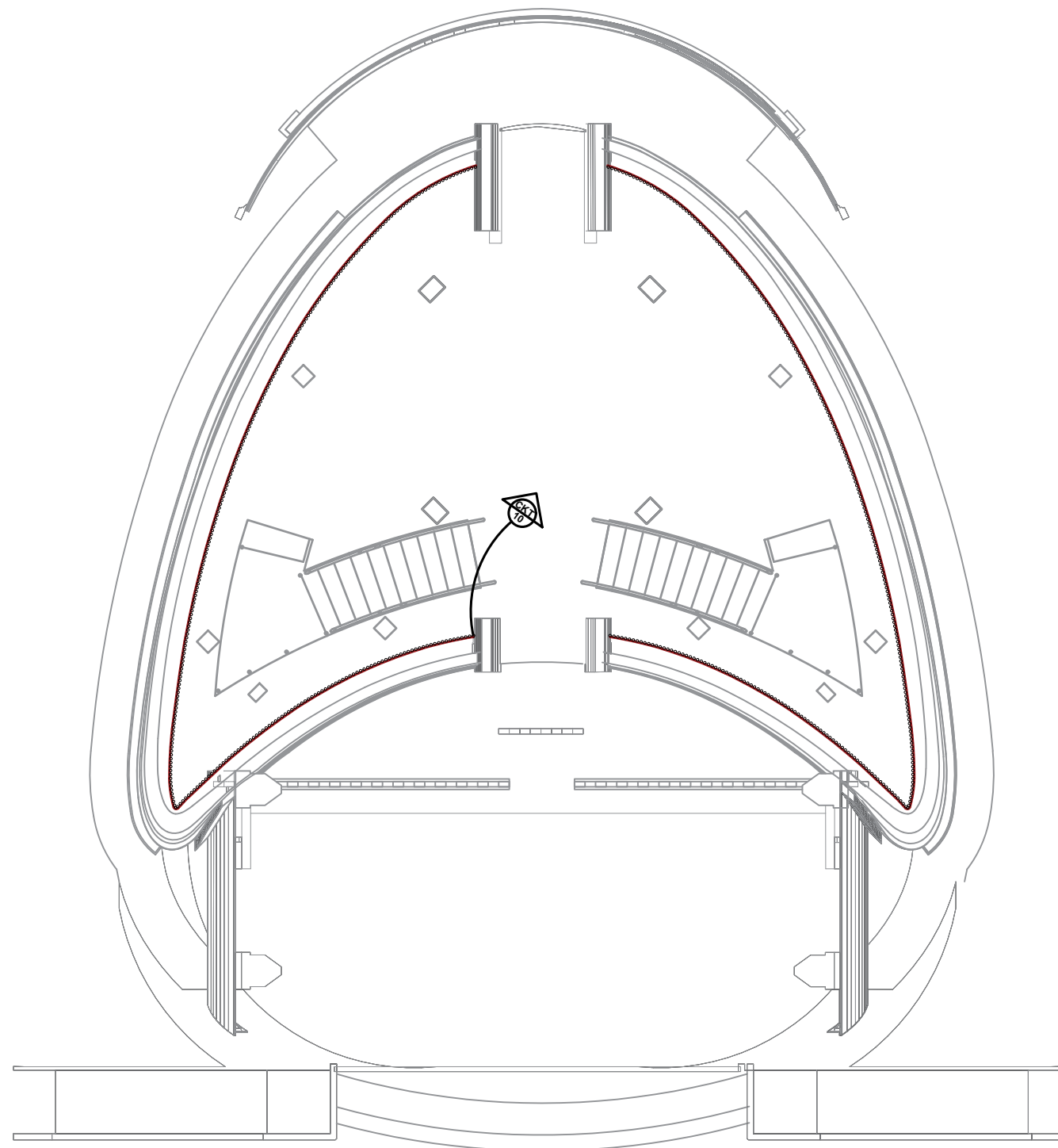


STRIP LITE @ LEVEL 1

(LEVEL 1 - SPANDREL)
LIGHTING OUTLET LAYOUT

SCALE 1: 150M

TIN : 382-717-370-000	Design & Seal	Project Title :	Checked by :	Noted by :	Approved by :	SHEET CONTENTS:	Designed by : ERIK	<table border="1"> <tr> <td>E1</td> <td>19</td> </tr> <tr> <td colspan="2">SHEET NO.</td> </tr> <tr> <td>39</td> <td>66</td> </tr> <tr> <td colspan="2">Revision : 3.20</td> </tr> </table>	E1	19	SHEET NO.		39	66	Revision : 3.20	
E1	19															
SHEET NO.																
39	66															
Revision : 3.20																
PRC : 0068591	<p>ERIC E. SAJULGA ELECTRICAL ENGINEER</p>	<p>"PROPOSED" (CENTENNIAL) TWO-STOREY LANDMARK PROJECT</p>	<p>ENGR. MARCELO T. ABRERA Jr. RFPDM</p>	<p>Dr. DANIEL LESLIE S. TAN O/P/F</p>	<p>Dr. EDGARDO E. TULIN VSU PRESIDENT</p>	STRIP LITE L1	CAD by : ERIK									
PIR : -						LOCATION : ERGY, PANGSUGAN, UPPER CAMPUS, VSU, BAYBAY CITY.	Date Started : 04 '22									
Date : -							Date Finished : 04 '22									
PL. ISS. : -																

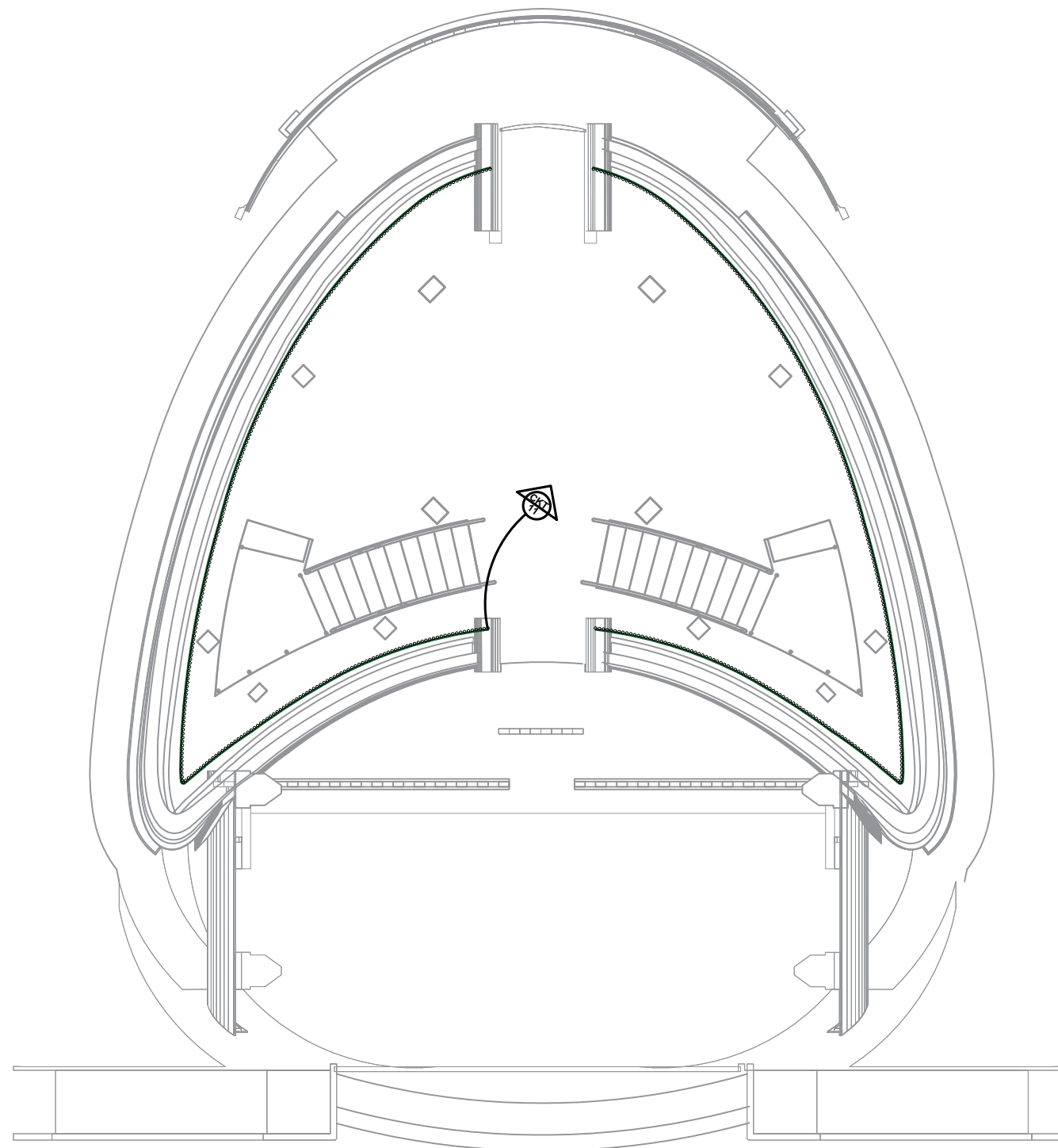


STRIP LITE @ LEVEL 2

(LEVEL 2 - SPANDREL)
LIGHTING OUTLET LAYOUT

SCALE 1: 150M

TIN : 382-717-370-000	Design & Seal	Project Title :	Checked by :	Noted by :	Approved by :	SHEET CONTENTS:	Designed by : ERIK	<table border="1"> <tr> <td>E2</td> <td>19</td> </tr> <tr> <td colspan="2">SHEET NO.</td> </tr> <tr> <td>40</td> <td>66</td> </tr> <tr> <td colspan="2">Revision : 3.20</td> </tr> </table>	E2	19	SHEET NO.		40	66	Revision : 3.20	
E2	19															
SHEET NO.																
40	66															
Revision : 3.20																
PRC : 0068591	<p>ERIC E. SAJULGA ELECTRICAL ENGINEER</p>	<p>"PROPOSED" (CENTENNIAL) TWO-STOREY LANDMARK PROJECT</p>	<p>ENGR. MARCELO T. ABRERA Jr. RFPDM</p>	<p>Dr. DANIEL LESLIE S. TAN O/P/F</p>	<p>Dr. EDGARDO E. TULIN VSU PRESIDENT</p>	STRIP LITE L2	CAD by : ERIK									
PIR : -						Date Started : 04 '22										
Date : -						Date Finished : 04 '22										
PL. ISS. : -						LOCATION : ERGY, PANGSUGAN, UPPER CAMPUS, VSU, BAYBAY CITY.										



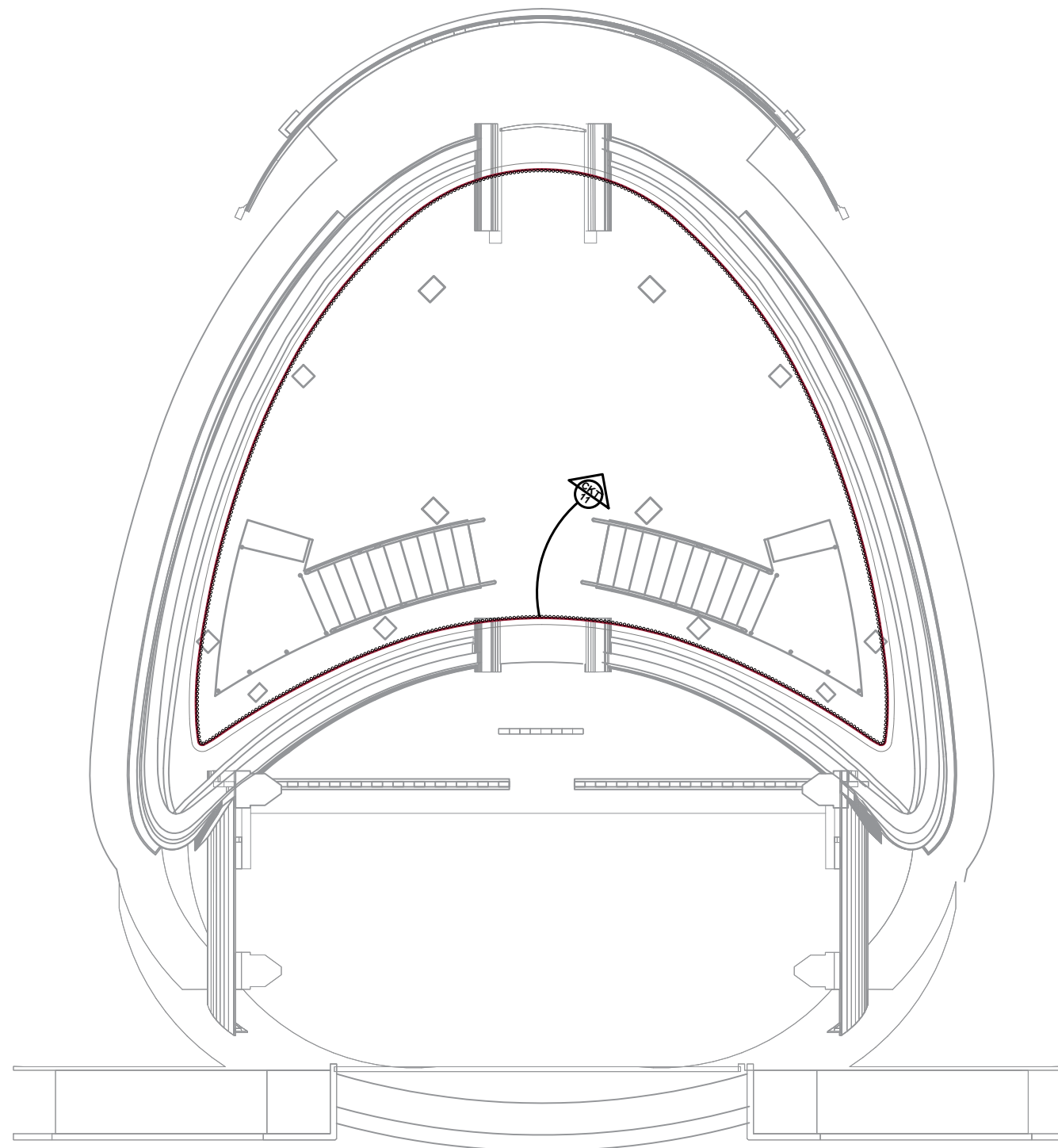
STRIP LITE @ LEVEL 3

(LEVEL 3 - SPANDREL)

LIGHTING OUTLET LAYOUT

SCALE 1: 150M

TIN : 382-717-370-000	Design & Seal	Project Title :	Checked by :	Noted by :	Approved by :	SHEET CONTENTS:	Designed by : ERIK	<table border="1"> <tr> <td>E3</td> <td>19</td> </tr> <tr> <td colspan="2">SHEET NO.</td> </tr> <tr> <td>41</td> <td>66</td> </tr> <tr> <td colspan="2">Revision : 3.20</td> </tr> </table>	E3	19	SHEET NO.		41	66	Revision : 3.20	
E3	19															
SHEET NO.																
41	66															
Revision : 3.20																
PRC : 0068591	<p>ERIC E. SAJULGA ELECTRICAL ENGINEER</p>	<p>"PROPOSED" (CENTENNIAL) TWO-STOREY LANDMARK PROJECT LOCATION : ERGY, PANGSUGAN, UPPER CAMPUS, VSU, BAYBAY CITY.</p>	<p>ENGR. MARCELO T. ABRERA Jr. RFPDMO</p>	<p>Dr. DANIEL LESLIE S. TAN OVPF</p>	<p>Dr. EDGARDO E. TULIN VSU PRESIDENT</p>	STRIP LITE L3	CAD by : ERIK									
PIR : -						Date Started : 04 '22										
Date : -						Date Finished : 04 '22										
PL. ISS. : -																

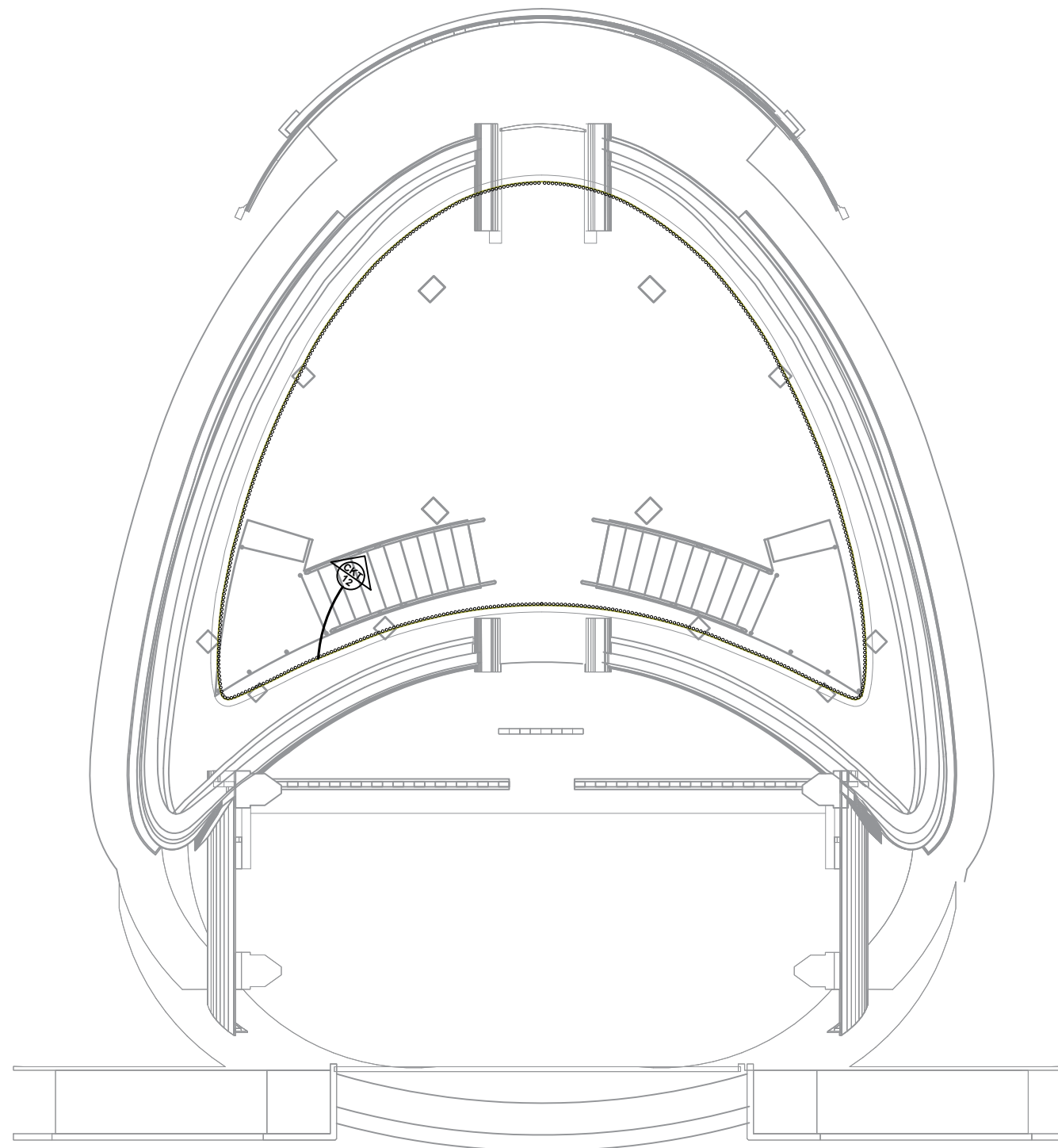


STRIP LITE @ LEVEL 4

(LEVEL 4 - SPANDREL)
LIGHTING OUTLET LAYOUT

SCALE 1: 150M

TIN : 382-717-370-000	Design & Seal	Project Title :	Checked by :	Noted by :	Approved by :	SHEET CONTENTS:	Designed by : ERIK	<table border="1"> <tr> <td>E4</td> <td>19</td> </tr> <tr> <td colspan="2">SHEET NO.</td> </tr> <tr> <td>42</td> <td>66</td> </tr> <tr> <td colspan="2">Revision : 3.20</td> </tr> </table>	E4	19	SHEET NO.		42	66	Revision : 3.20	
E4	19															
SHEET NO.																
42	66															
Revision : 3.20																
PRC : 0068591	<p>ERIC E. SAJULGA ELECTRICAL ENGINEER</p>	<p>"PROPOSED" (CENTENNIAL) TWO-STOREY LANDMARK PROJECT</p>	<p>ENGR. MARCELO T. ABRERA Jr. RFPDMO</p>	<p>Dr. DANIEL LESLIE S. TAN OVPF</p>	<p>Dr. EDGARDO E. TULIN VSU PRESIDENT</p>	STRIP LITE L4	CAD by : ERIK									
PIR : -						Date Started : 04 '22										
Date : -						Date Finished : 04 '22										
PL. ISS. : -						Location : ERGY, PANGSUGAN, UPPER CAMPUS, VSU, BAYBAY CITY.										

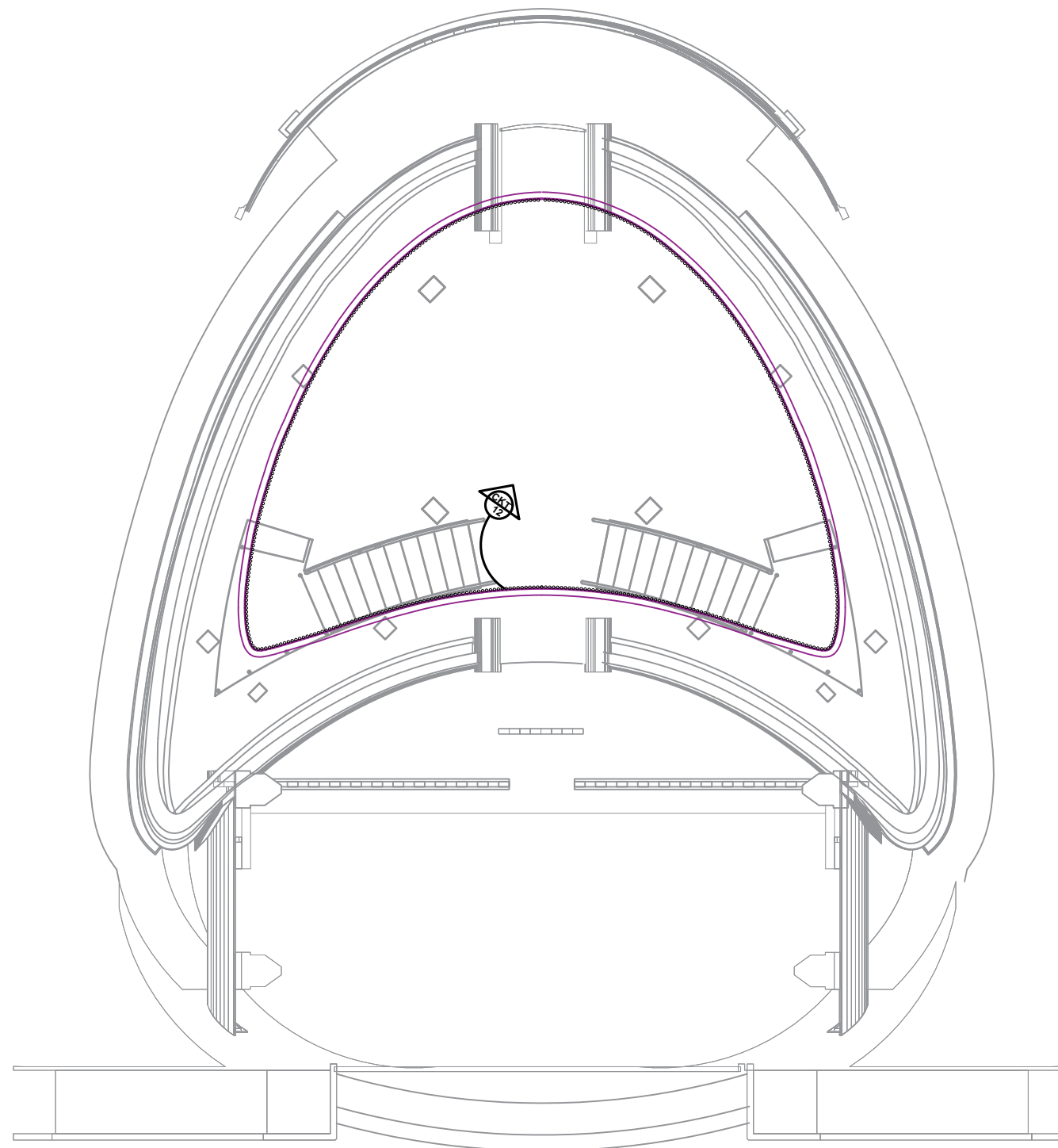


STRIP LITE @ LEVEL 5

(LEVEL 5 - SPANDREL)
LIGHTING OUTLET LAYOUT

SCALE 1: 150M

TIN : 382-717-370-000	Design & Seal	Project Title :	Checked by :	Noted by :	Approved by :	SHEET CONTENTS:	Designed by : ERIK	<table border="1"> <tr> <td>E5</td> <td>19</td> </tr> <tr> <td colspan="2">SHEET NO.</td> </tr> <tr> <td>43</td> <td>66</td> </tr> <tr> <td colspan="2">Revision : 3.20</td> </tr> </table>	E5	19	SHEET NO.		43	66	Revision : 3.20	
E5	19															
SHEET NO.																
43	66															
Revision : 3.20																
PRC : 0068591	<p>ERIC E. SAJULGA ELECTRICAL ENGINEER</p>	" PROPOSED " (CENTENNIAL) TWO-STOREY LANDMARK PROJECT				STRIP LITE L5	CAD by : ERIK									
PIR : -		LOCATION : ERGY, PANGSUGAN, UPPER CAMPUS, VSU, BAYBAY CITY.	ENGR. MARCELO T. ABRERA Jr.	Dr. DANIEL LESLIE S. TAN	Dr. EDGARDO E. TULIN	Date Started : 04 '22										
Date : -		PPDMO	OPAF	VSU PRESIDENT	Date Finished : 04 '22											
PL. ISS. : -					Revision : 3.20											

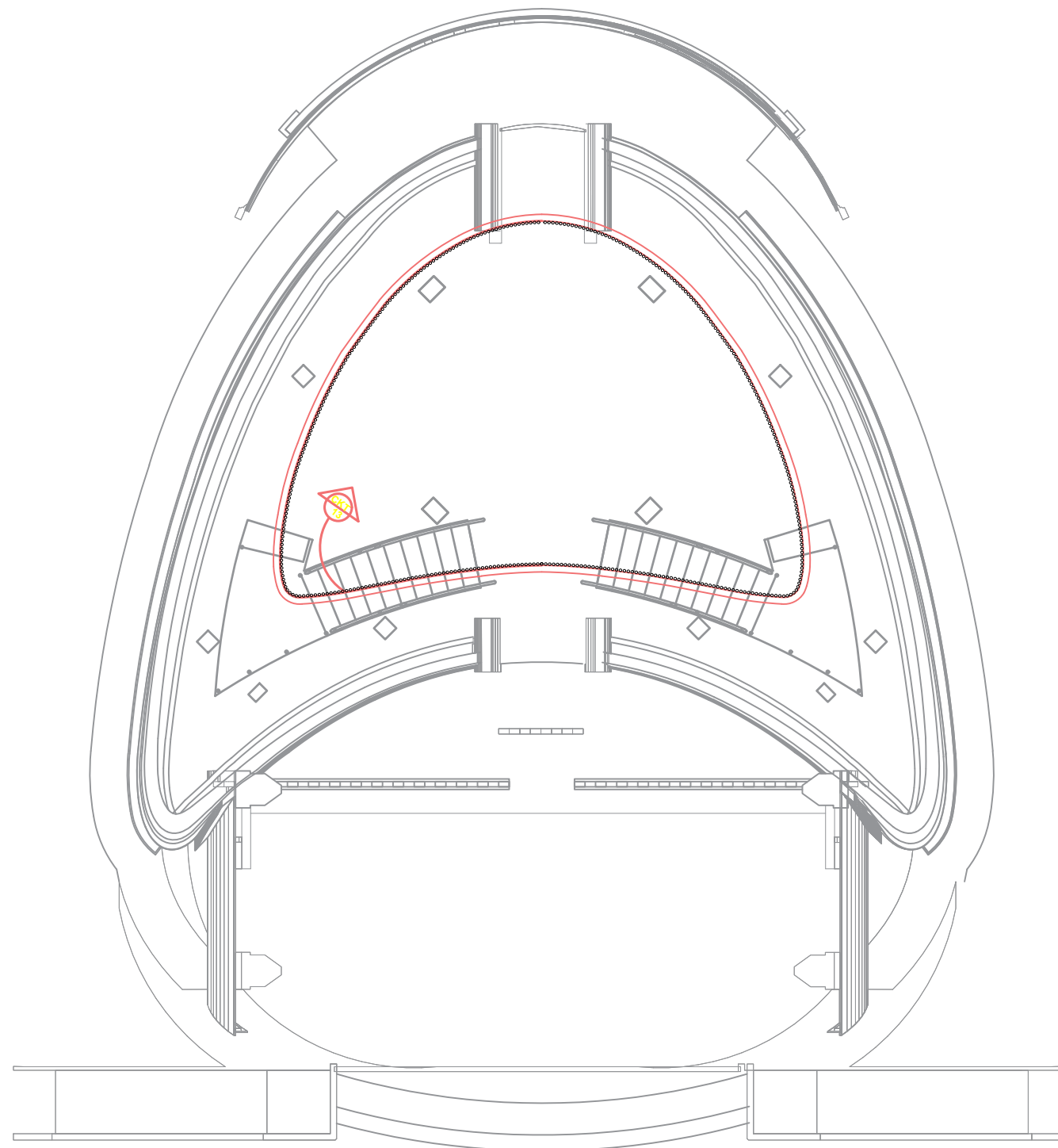


STRIP LITE @ LEVEL 6

(LEVEL 6 - SPANDREL)
LIGHTING OUTLET LAYOUT

SCALE 1: 150M

TIN : 382-717-370-000	Design & Seal	Project Title :	Checked by :	Noted by :	Approved by :	SHEET CONTENTS:	Designed by : ERIK	<table border="1"> <tr> <td>E6</td> <td>19</td> </tr> <tr> <td colspan="2">SHEET NO.</td> </tr> <tr> <td>44</td> <td>66</td> </tr> <tr> <td colspan="2">Revision : 3.20</td> </tr> </table>	E6	19	SHEET NO.		44	66	Revision : 3.20	
E6	19															
SHEET NO.																
44	66															
Revision : 3.20																
PRC : 0068591	<p>ERIC E. SAJULGA ELECTRICAL ENGINEER</p>	"PROPOSED" (CENTENNIAL) TWO-STOREY LANDMARK PROJECT	ENGR. MARCELO T. ABRERA Jr.	Dr. DANIEL LESLIE S. TAN	Dr. EDGARDO E. TULIN	STRIP LITE L6	CAD by : ERIK									
PIR : -		LOCATION : ERGY, PANGSUGAN, UPPER CAMPUS, VSU, BAYBAY CITY.	PPDMO	OMP	VSU PRESIDENT	Date Started : 04 '22										
Date : -						Date Finished : 04 '22										
PL. ISS. : -																

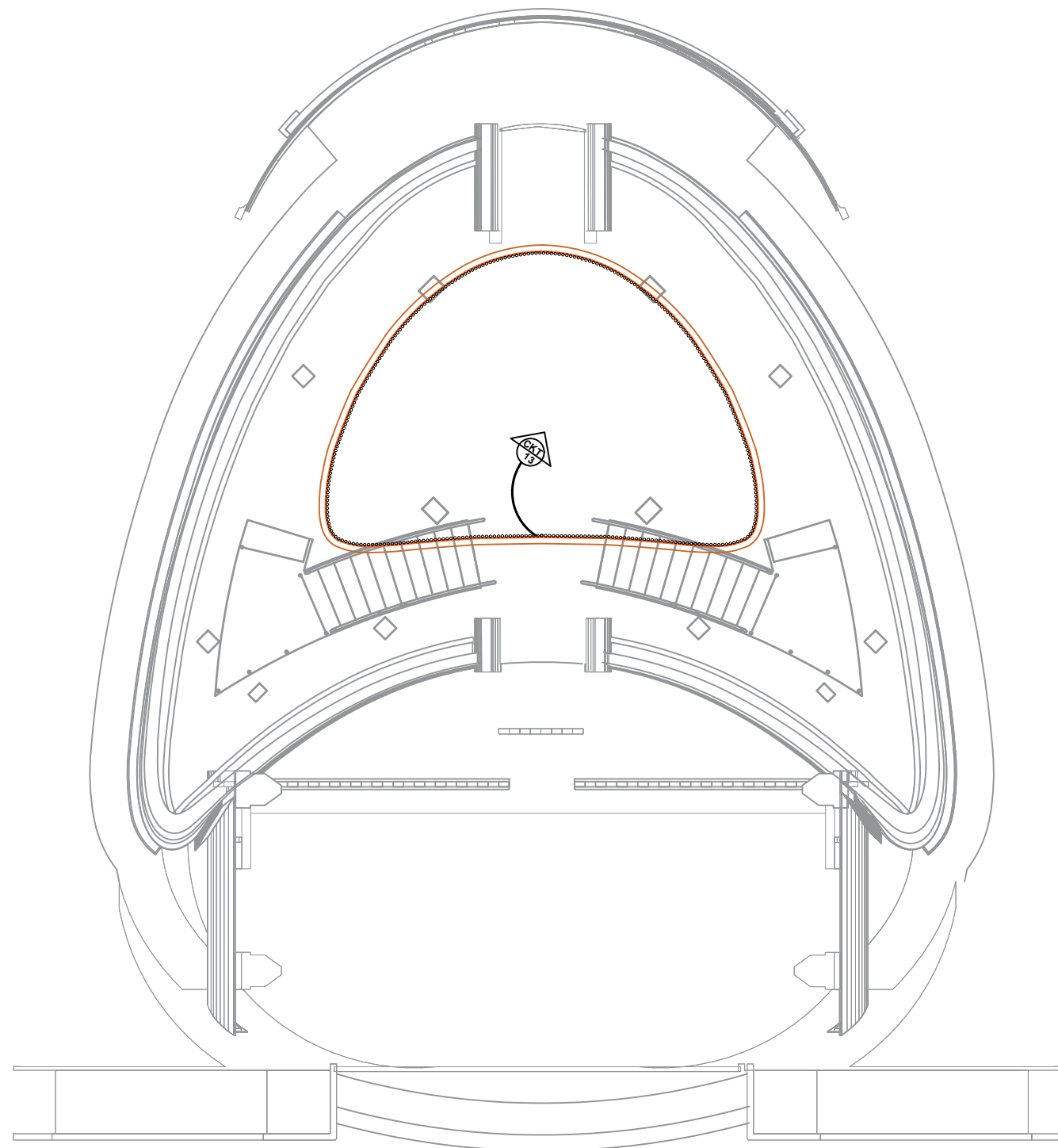


STRIP LITE @ LEVEL 7

(LEVEL 1 - SPANDREL)
LIGHTING OUTLET LAYOUT

SCALE 1: 150M

TIN : 382-717-370-000	Design & Seal	Project Title :	Checked by :	Noted by :	Approved by :	SHEET CONTENTS:	Designed by : ERIK	<table border="1"> <tr> <td>E7</td> <td>19</td> </tr> <tr> <td colspan="2">SHEET NO.</td> </tr> <tr> <td>45</td> <td>66</td> </tr> <tr> <td colspan="2">Revision : 3.20</td> </tr> </table>	E7	19	SHEET NO.		45	66	Revision : 3.20	
E7	19															
SHEET NO.																
45	66															
Revision : 3.20																
PRC : 0068591	<p>ERIC E. SAJULGA ELECTRICAL ENGINEER</p>	<p>"PROPOSED" (CENTENNIAL) TWO-STOREY LANDMARK PROJECT</p>	<p>ENGR. MARCELO T. ABRERA Jr. RPEMDO</p>	<p>Dr. DANIEL LESLIE S. TAN OVPF</p>	<p>Dr. EDGARDO E. TULIN VSU PRESIDENT</p>	STRIP LITE L7	CAD by : ERIK									
PIR : -						Date Started : 04 '22										
Date : -						Date Finished : 04 '22										
PL. ISS. : -						Revision : 3.20										

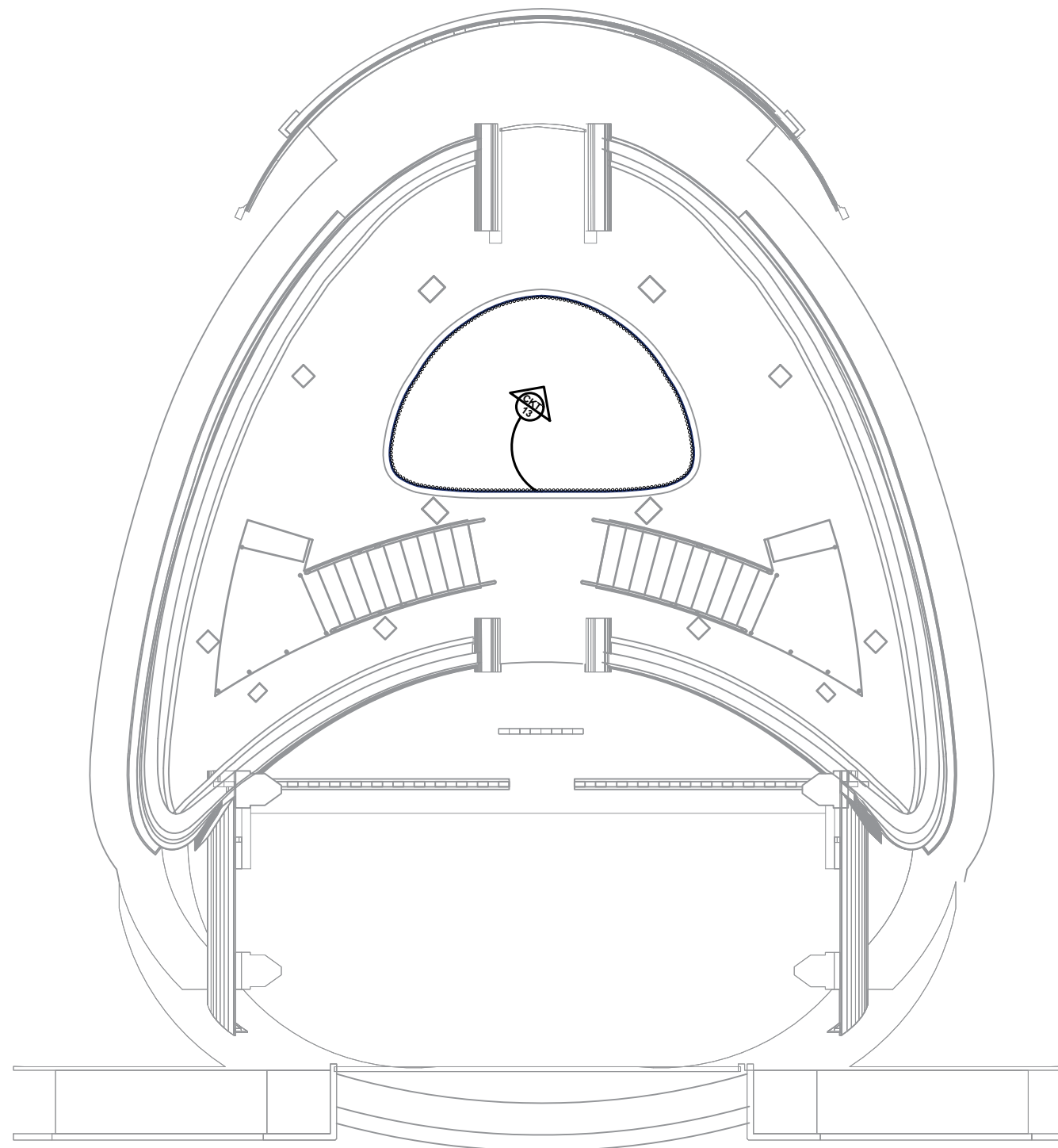


STRIP LITE @ LEVEL 8

(LEVEL 8 - SPANDREL)
LIGHTING OUTLET LAYOUT

SCALE 1: 150M

TIN : 382-717-370-000	Design & Seal	Project Title :	Checked by :	Noted by :	Approved by :	SHEET CONTENTS:	Designed by : ERIK	<table border="1"> <tr> <td>E8</td> <td>19</td> </tr> <tr> <td colspan="2">SHEET NO.</td> </tr> <tr> <td>46</td> <td>66</td> </tr> <tr> <td colspan="2">Revision : 3.20</td> </tr> </table>	E8	19	SHEET NO.		46	66	Revision : 3.20	
E8	19															
SHEET NO.																
46	66															
Revision : 3.20																
PRC : 0068591	<p>ERIC E. SAJULGA ELECTRICAL ENGINEER</p>	<p>"PROPOSED" (CENTENNIAL) TWO-STOREY LANDMARK PROJECT LOCATION : ERGY, PANGSUGAN, UPPER CAMPUS, VSU, BAYBAY CITY.</p>	<p>ENGR. MARCELO T. ABRERA Jr. RFDMD</p>	<p>Dr. DANIEL LESLIE S. TAN OVPF</p>	<p>Dr. EDGARDO E. TULIN VSU PRESIDENT</p>	STRIP LITE L8	CAD by : ERIK									
PIR : -						Date Started : 04 '22										
Date : -						Date Finished : 04 '22										
PL. ISS. : -																

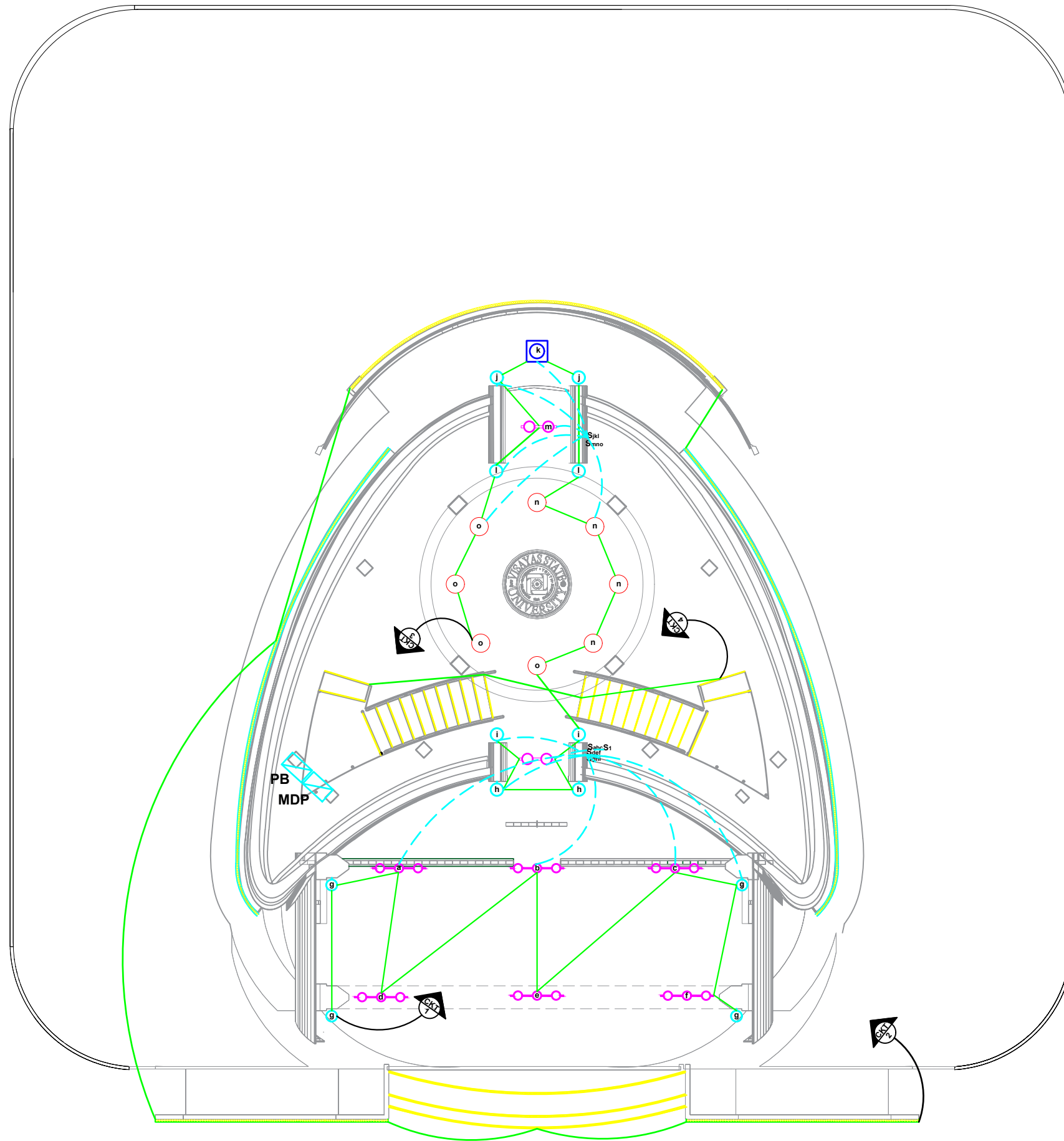


STRIP LITE @ LEVEL 9

(LEVEL 9 - SPANDREL)
LIGHTING OUTLET LAYOUT

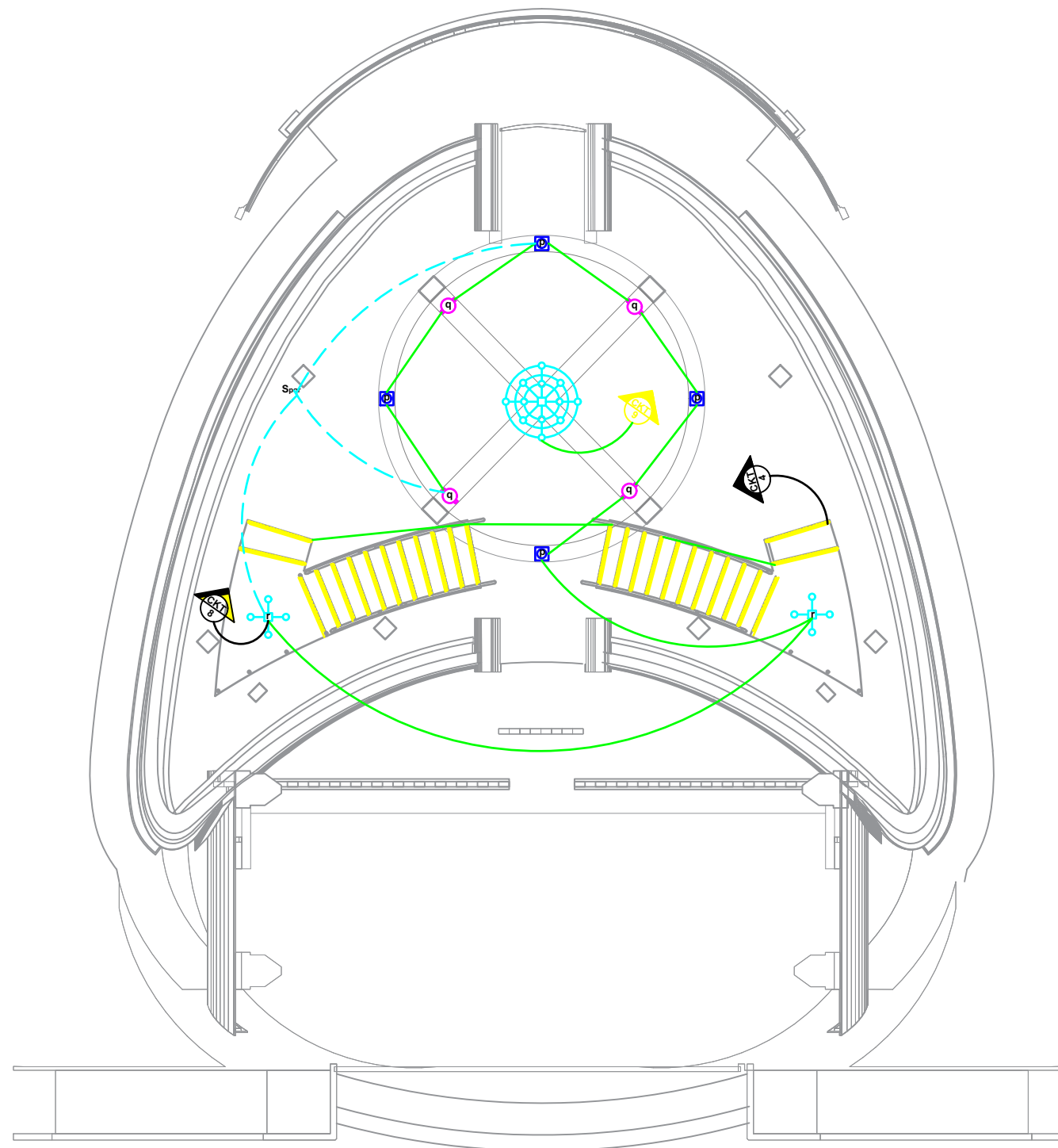
SCALE 1: 150M

TIN : 382-717-370-000	Design & Seal	Project Title :	Checked by :	Noted by :	Approved by :	SHEET CONTENTS:	Designed by : ERIK	<table border="1"> <tr> <td>E9</td> <td>19</td> </tr> <tr> <td colspan="2">SHEET NO.</td> </tr> <tr> <td>47</td> <td>66</td> </tr> <tr> <td colspan="2">Revision : 3.20</td> </tr> </table>	E9	19	SHEET NO.		47	66	Revision : 3.20	
E9	19															
SHEET NO.																
47	66															
Revision : 3.20																
PRC : 0068591	<p>ERIC E. SAJULGA ELECTRICAL ENGINEER</p>	<p>"PROPOSED" (CENTENNIAL) TWO-STOREY LANDMARK PROJECT LOCATION : ERGY, PANGSUGAN, UPPER CAMPUS, VSU, BAYBAY CITY.</p>	<p>ENGR. MARCELO T. ABRERA Jr. RFPDMO</p>	<p>Dr. DANIEL LESLIE S. TAN OVPF</p>	<p>Dr. EDGARDO E. TULIN VSU PRESIDENT</p>	STRIP LITE L9	CAD by : ERIK									
PIR : -						Date Started : 04 '22										
Date : -						Date Finished : 04 '22										
PL. ISS. : -																



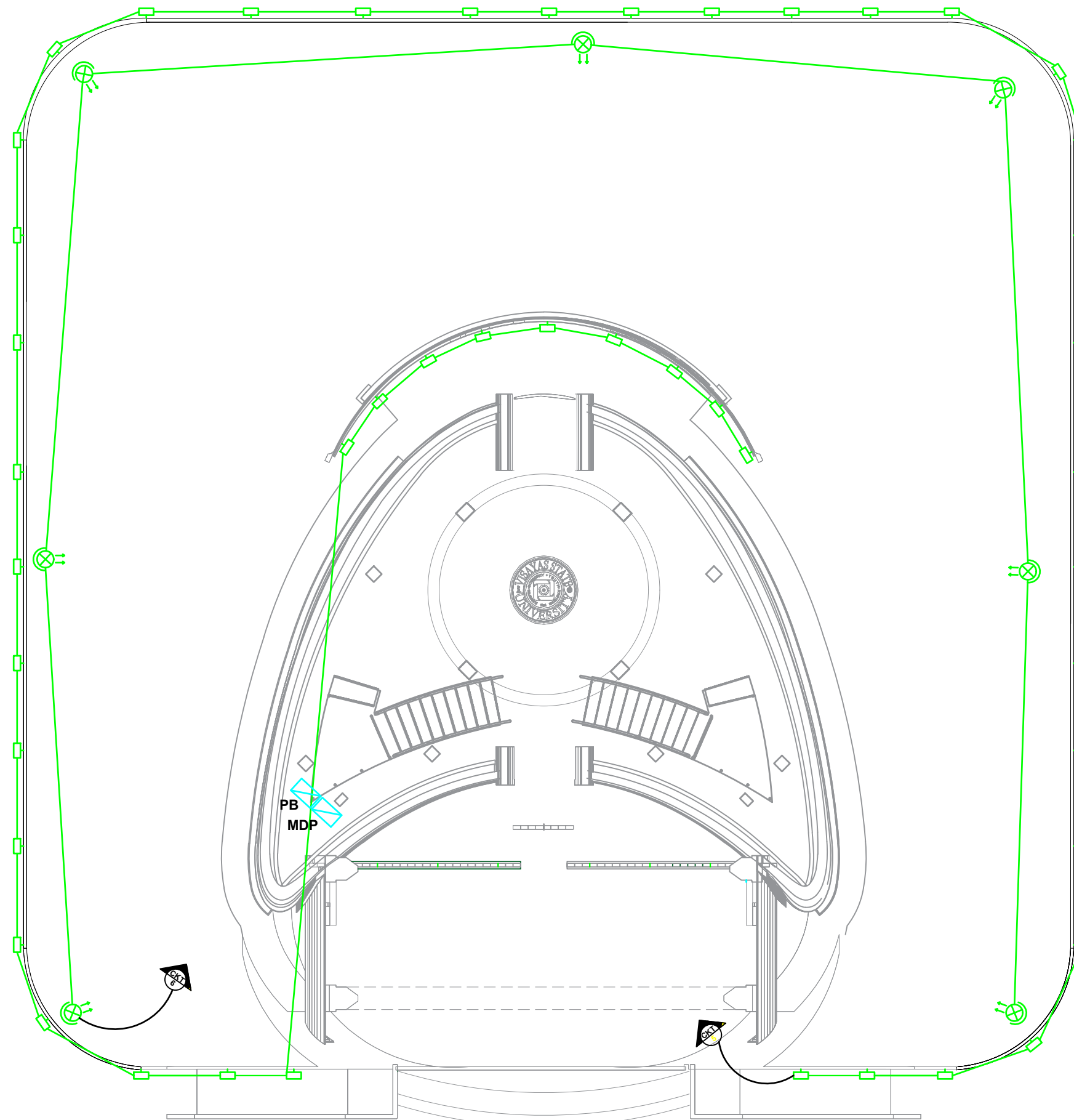
<GROUND FLOOR>
LIGHTING OUTLET LAYOUT
SCALE 1: 150M

TIN : 382-717-370-000 PRC : 0068591 PTR : - Date : - PL. ISS. : -	Design & Seal	Project Title :	Checked by :	Noted by :	Approved by :	SHEET CONTENTS: LO GF Designed by : ERIK CAD by : ERIK Date Started : 04 '22 Date Finished : 04 '22 Revision : 3.20	<table border="1"> <tr> <td align="center">E10</td> <td align="center">19</td> </tr> <tr> <td align="center">48</td> <td align="center">66</td> </tr> </table>	E10	19	48	66
	E10	19									
	48	66									
	ERIC E. SAJULGA ELECTRICAL ENGINEER	"PROPOSED" (CENTENNIAL) TWO-STOREY LANDMARK PROJECT	ENGR. MARCELO T. ABRERA Jr. <small>RFPMD</small>	Dr. DANIEL LESLIE S. TAN <small>OVAF</small>	Dr. EDGARDO E. TULIN <small>VSU PRESIDENT</small>						
LOCATION : ERGY. PANGASUGAN, UPPER CAMPUS, VSU, BAYBAY CITY.											



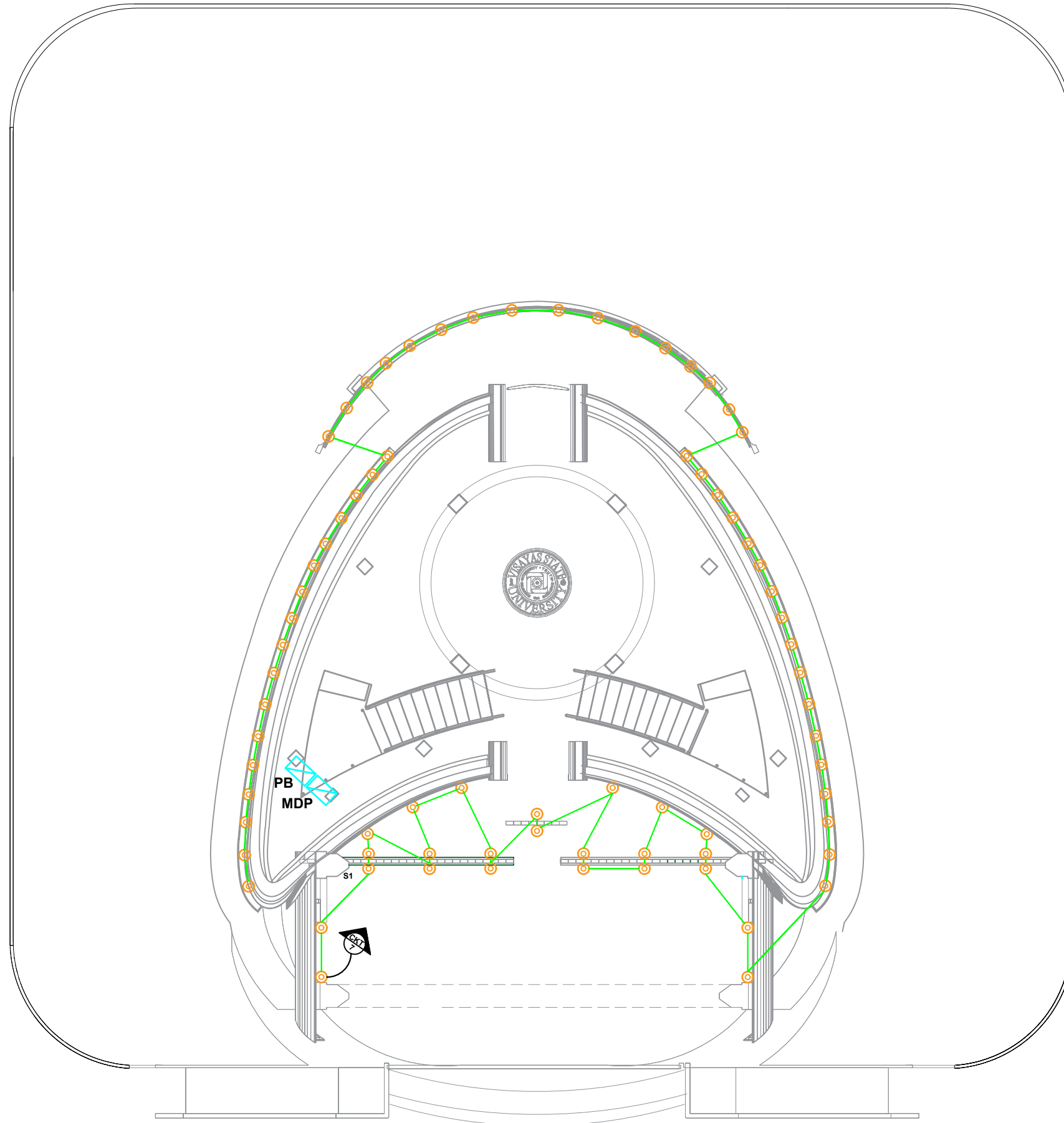
<GROUND FLOOR>
LIGHTING OUTLET LAYOUT
SCALE 1: 150M

TIN : 382-717-370-000 PRC : 0068591 PTR : - Date : - PL. ISS. : -	Design & Seal <div style="text-align: center;">ERIC E. SAJULGA</div> ELECTRICAL ENGINEER	Project Title : "PROPOSED" (CENTENNIAL) TWO-STOREY LANDMARK PROJECT LOCATION : ERGY, PANGASUGAN, UPPER CAMPUS, VSU, BAYBAY CITY.	Checked by : ENGR. MARCELO T. ABRERA Jr. RPDMD	Noted by : Dr. DANIEL LESLIE S. TAN OVPF	Approved by : Dr. EDGARDO E. TULIN VSU PRESIDENT	SHEET CONTENTS: LOSF	Designed by : ERIK CAD by : ERIK Date Started : 04 '22 Date Finished : 04 '22 Revision : 3.20	<table border="1" style="margin: auto;"> <tr> <td style="padding: 5px;">E11</td> <td style="padding: 5px;">19</td> </tr> <tr> <td colspan="2" style="text-align: center; padding: 5px;">SHEET NO.</td> </tr> <tr> <td style="padding: 5px;">49</td> <td style="padding: 5px;">66</td> </tr> </table>	E11	19	SHEET NO.		49	66
E11	19													
SHEET NO.														
49	66													



<GROUND FLOOR>
STAIRCASE WALL LAMP AND SPOTLIGHT
SCALE 1: 150M

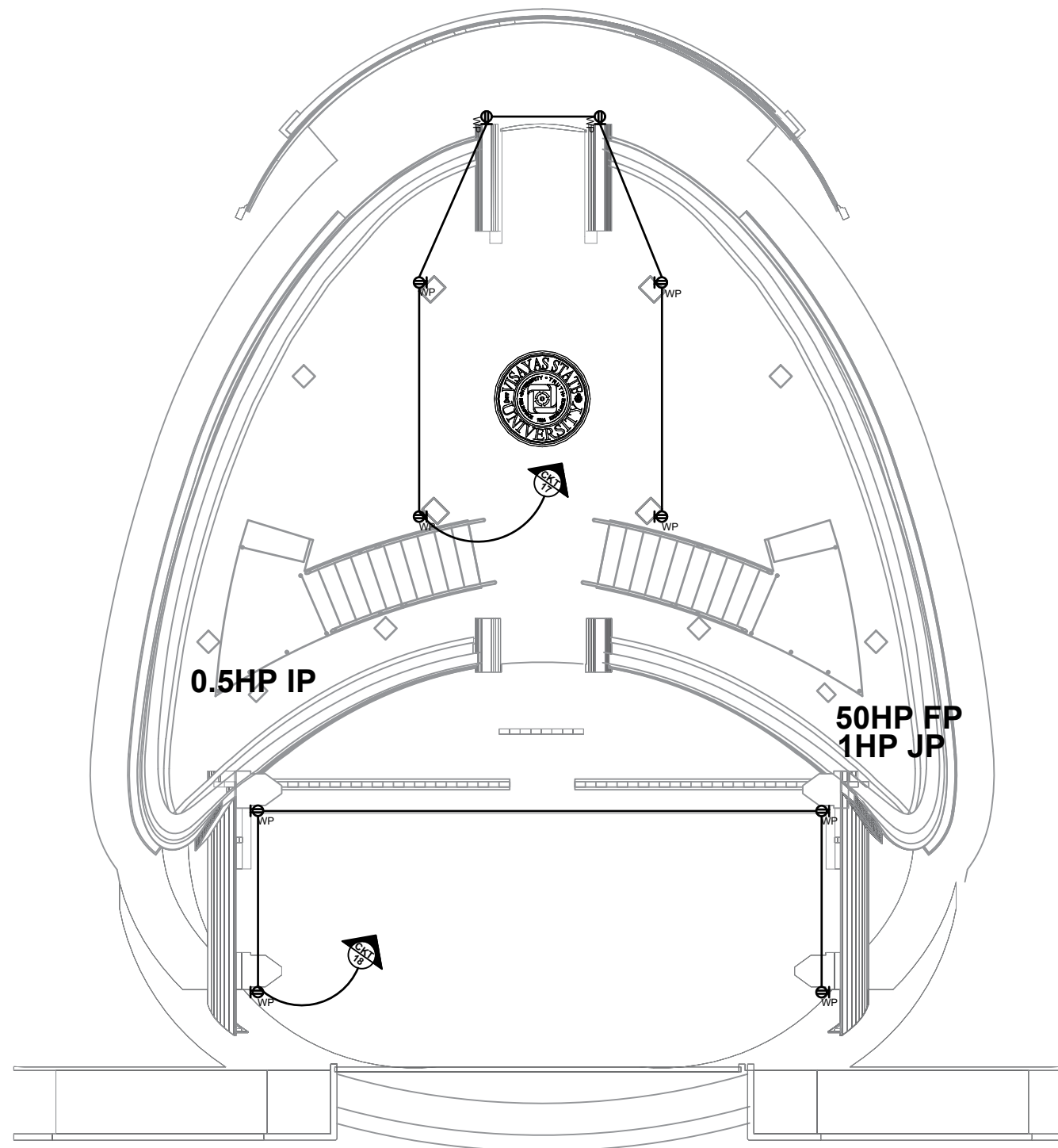
TIN : 382-717-370-000	Design & Seal	Project Title :	Checked by :	Noted by :	Approved by :	SHEET CONTENTS:	Designed by : ERIK	<table border="1"> <tr> <td>E12 19</td> </tr> <tr> <td>SHEET NO.</td> </tr> <tr> <td>50 66</td> </tr> <tr> <td>Revision : 3.20</td> </tr> </table>	E12 19	SHEET NO.	50 66	Revision : 3.20
E12 19												
SHEET NO.												
50 66												
Revision : 3.20												
PRC : 0068591	ERIC E. SAJULGA ELECTRICAL ENGINEER	"PROPOSED" (CENTENNIAL) TWO-STOREY LANDMARK PROJECT LOCATION : ERGY. PANGSUGAN, UPPER CAMPUS, VSU, BAYBAY CITY.	ENGR. MARCELO T. ABRERA Jr. RFPDM	Dr. DANIEL LESLIE S. TAN OMPF	Dr. EDGARDO E. TULIN VSU PRESIDENT	LO	CAD by : ERIK					
PIR : -						Date Started : 04 '22						
Date : -						Date Finished : 04 '22						
PL. ISS. : -						Revision : 3.20						



(CENTENNIAL-LM)
LED UNDERGROUND LIGHTS

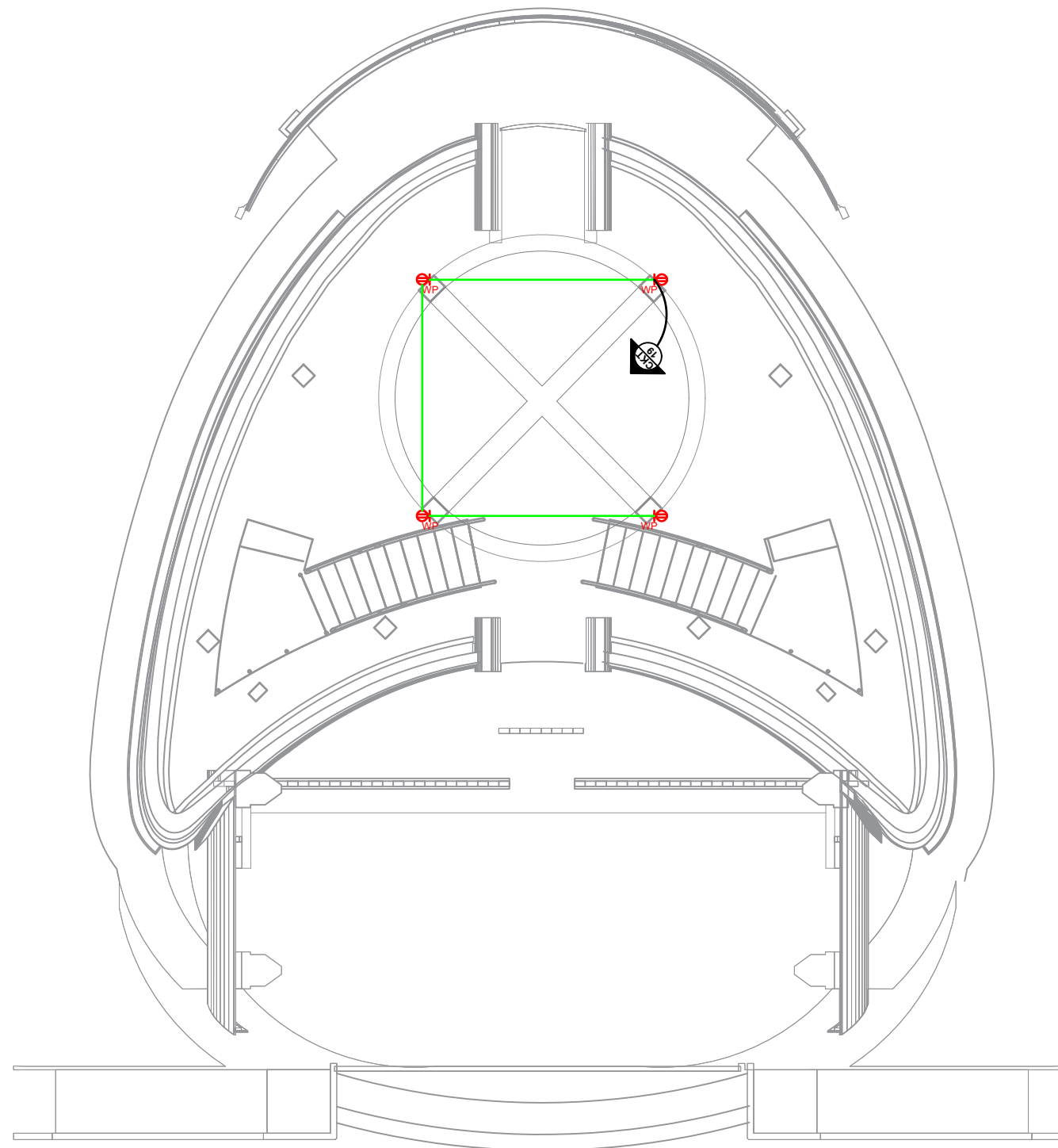
SCALE 1: 200M

TIN : 382-717-370-000	Design & Seal	Project Title :	Checked by :	Noted by :	Approved by :	SHEET CONTENTS:	Designed by : ELVON	<table border="1"> <tr> <td>E13 19</td> </tr> <tr> <td>SHEET NO.</td> </tr> <tr> <td>51 66</td> </tr> <tr> <td>Revision : 6.20</td> </tr> </table>	E13 19	SHEET NO.	51 66	Revision : 6.20
E13 19												
SHEET NO.												
51 66												
Revision : 6.20												
PRC : 0068591	ERIC E. SAJULGA ELECTRICAL ENGINEER	"PROPOSED" (CENTENNIAL) TWO-STOREY LANDMARK PROJECT	ENGR. MARCELO T. ABRERA Jr.	Dr. DANIEL LESLIE S. TAN	Dr. EDGARDO E. TULIN	RC FOUNDATION	CAD by : ELVON					
PIR : -		LOCATION : ERGY. PANGSUGAN, UPPER CAMPUS, VSU, BAYBAY CITY.	FPDMD	OMP	VSU PRESIDENT	Date Started : Oct '22						
Date : -						Date Finished : Nov '22						
PL. ISS. : -												



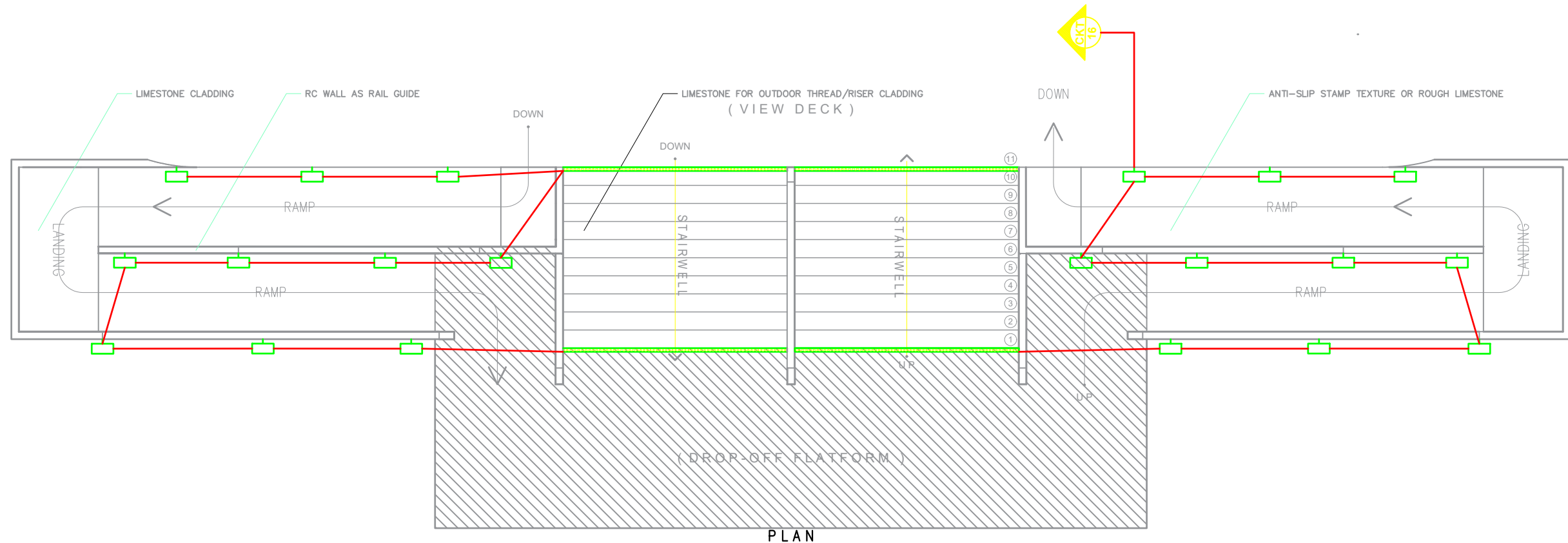
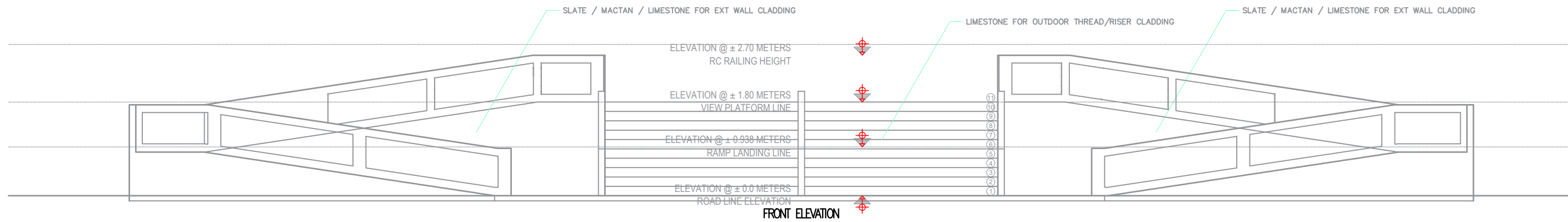
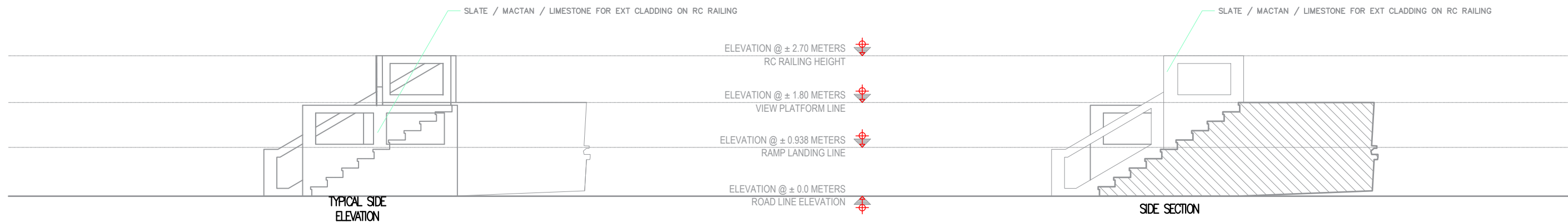
(POWER OUTLET)
GROUND FLOOR LAYOUT
SCALE 1: 150M

TIN : 382-717-370-000	Design & Seal	Project Title :	Checked by :	Noted by :	Approved by :	SHEET CONTENTS:	Designed by : ELVON	<table border="1"> <tr> <td>E14</td> <td>19</td> </tr> <tr> <td colspan="2">SHEET NO.</td> </tr> <tr> <td>52</td> <td>66</td> </tr> <tr> <td colspan="2">Revision : 6.20</td> </tr> </table>	E14	19	SHEET NO.		52	66	Revision : 6.20	
E14	19															
SHEET NO.																
52	66															
Revision : 6.20																
PRC : 0068591	ERIC E. SAJULGA ELECTRICAL ENGINEER	"PROPOSED" (CENTENNIAL) TWO-STOREY LANDMARK PROJECT LOCATION : ERGY, PANGASUGAN, UPPER CAMPUS, VSU, BAYBAY CITY.	ENGR. MARCELO T. ABRERA Jr. RPDMD	Dr. DANIEL LESLIE S. TAN OVPF	Dr. EDGARDO E. TULIN VSU PRESIDENT	POWER OUTLET	CAD by : ELVON									
PTR : -						Date Started : Oct '22										
Date : -						Date Finished : Nov '22										
PL. ISS. : -																



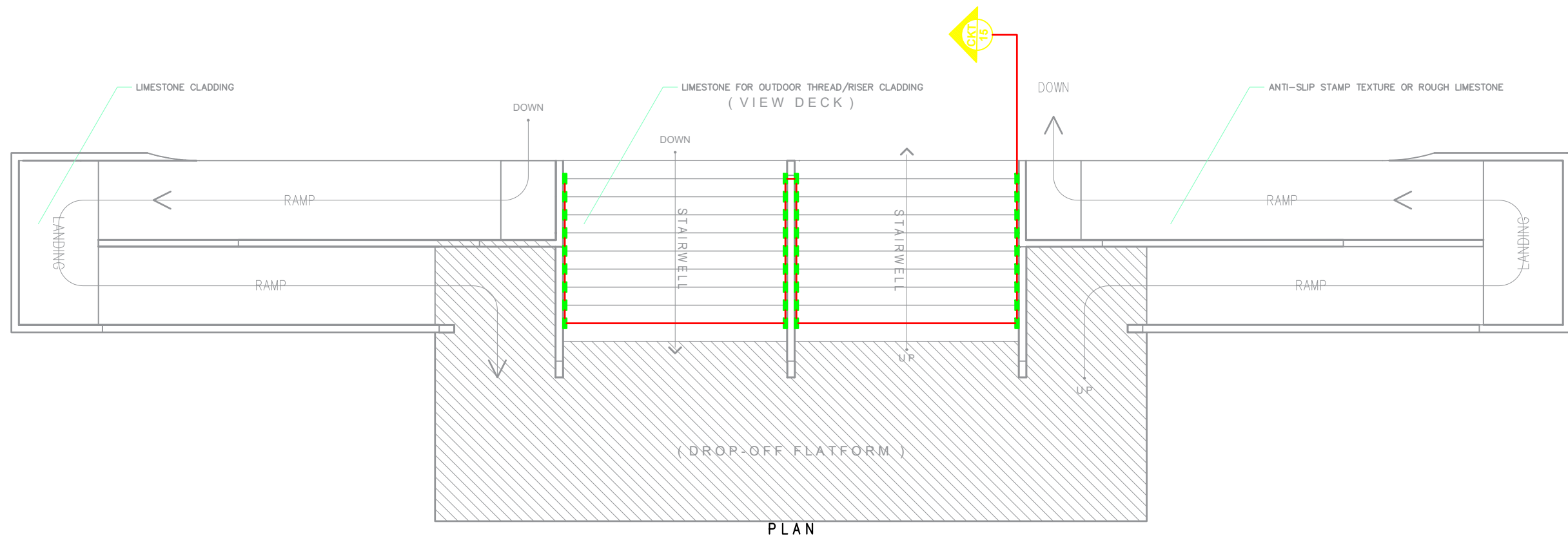
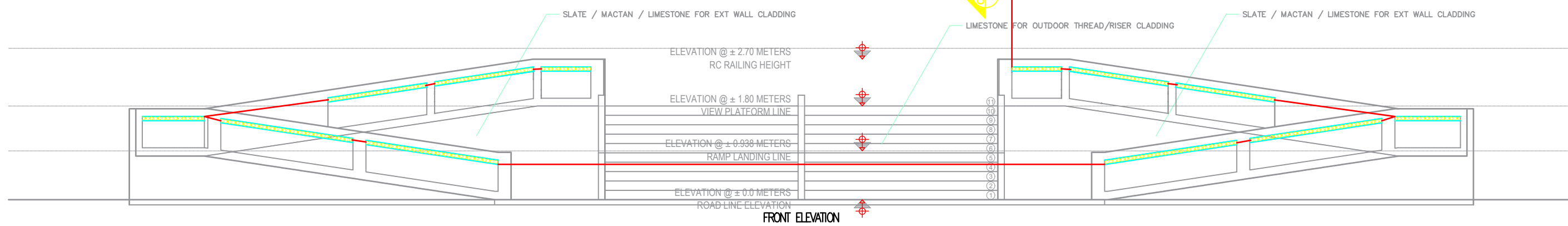
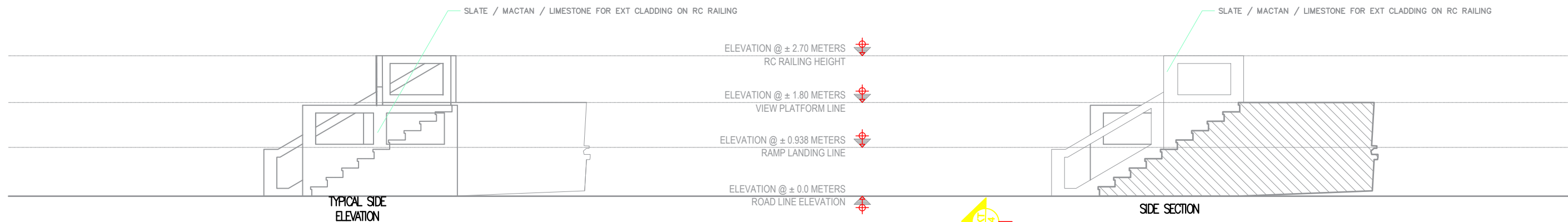
(POWER OUTLET)
SECOND FLOOR LAYOUT
 SCALE 1: 200M

TIN : 382-717-370-000	Design & Seal	Project Title :	Checked by :	Noted by :	Approved by :	SHEET CONTENTS:	Designed by : ELVON	<table border="1"> <tr> <td>E15</td> <td>19</td> </tr> <tr> <td colspan="2">SHEET NO.</td> </tr> <tr> <td>53</td> <td>66</td> </tr> <tr> <td colspan="2">Revision : 6.20</td> </tr> </table>	E15	19	SHEET NO.		53	66	Revision : 6.20	
E15	19															
SHEET NO.																
53	66															
Revision : 6.20																
PRC : 0068591	ERIC E. SAJULGA ELECTRICAL ENGINEER	"PROPOSED" (CENTENNIAL) TWO-STOREY LANDMARK PROJECT LOCATION : ERGY, PANGSUGAN, UPPER CAMPUS, VSU, BAYBAY CITY.	ENGR. MARCELO T. ABRERA Jr. RPDMD	Dr. DANIEL LESLIE S. TAN OVPF	Dr. EDGARDO E. TULIN VSU PRESIDENT	POWER OUTLET	CAD by : ELVON									
PTR : -						Date Started : Oct '22										
Date : -						Date Finished : Nov '22										
PL. ISS. : -																



(LIGHTING OUTLET)
OUTDOOR STAIRWAY + RAMPCASE LAYOUT
 SCALE: 1:150M

TIN : 382-717-370-000	Design & Seal	Project Title :	Checked by :	Noted by :	Approved by :	SHEET CONTENTS:	Designed by : ELVON	<table border="1"> <tr> <td>E16 19</td> </tr> <tr> <td>SHEET NO.</td> </tr> <tr> <td>54 66</td> </tr> <tr> <td>Revision : 6.20</td> </tr> </table>	E16 19	SHEET NO.	54 66	Revision : 6.20
E16 19												
SHEET NO.												
54 66												
Revision : 6.20												
PRC : 0068591	ERIC E. SAJULGA ELECTRICAL ENGINEER	"PROPOSED" (CENTENNIAL) TWO-STOREY LANDMARK PROJECT	ENGR. MARCELO T. ABRERA Jr. RPDMD	Dr. DANIEL LESLIE S. TAN OVPF	Dr. EDGARDO E. TULIN VSU PRESIDENT	OUTDOOR LO	CAD by : ELVON					
PIR : -		LOCATION : ERGY, PANGSUGAN, UPPER CAMPUS, VSU, BAYBAY CITY.				Date Started : Oct '22						
Date : -						Date Finished : Nov '22						
PL. ISS. : -												



(LIGHTING OUTLET)
OUTDOOR STAIRWAY + RAMPCASE ILLUSTRATION
 SCALE: 1:150M

TIN : 382-717-370-000	Design & Seal	Project Title :	Checked by :	Noted by :	Approved by :	SHEET CONTENTS:	Designed by : ELVON	<div style="border: 1px solid black; border-radius: 50%; width: 40px; height: 40px; display: flex; align-items: center; justify-content: center; margin: 0 auto;"> <div style="text-align: center; margin-right: 5px;">E17</div> <div style="text-align: center; margin-left: 5px;">19</div> </div>
PRC : 0068591	ERIC E. SAJULGA ELECTRICAL ENGINEER	"PROPOSED" (CENTENNIAL) TWO-STOREY LANDMARK PROJECT LOCATION : ERGY, PANGSUGAN, UPPER CAMPUS, VSU, BAYBAY CITY.	ENGR. MARCELO T. ABRERA Jr. PPDMD	Dr. DANIEL LESLIE S. TAN OPAF	Dr. EDGARDO E. TULIN VSU PRESIDENT	OUTDOOR LO	CAD by : ELVON	
PIR : -						Date Started : Oct '22	SHEET NO.	
Date : -						Date Finished : Nov '22	55 66	
PL. ISS. : -						Revision : 6.20		

SCHEDULE OF LOADS

PB

CKT.NO	LOAD DESCRIPTION	NO. OF OUTLETS		LIGHTING CODES	VOLT-AMPERE TOTAL (VA)	VOLTAGE (V)	PHASE LOAD			3Ø	PROTECTION-CB		CONDUCTORS AND CONDUITS
		LO	CO				AB	BC	CA		AT	AF	
1	LIGHTING OUTLET	10		TR3(6),WL(4)	360	230	1.5652				20	50	2-3.5mmsq THHN wire + 3.5mmsq TW(G) in 25mm dia. PVC pipe
2	LIGHTING OUTLET	1		SL(80mtrs)	134	230		0.58261			20	50	2-3.5mmsq THHN wire + 3.5mmsq TW(G) in 25mm dia. PVC pipe
3	LIGHTING OUTLET	14		PLR(8),WL(4),TL1(1),PLS(1)	143	230			0.62174		20	50	2-3.5mmsq THHN wire + 3.5mmsq TW(G) in 25mm dia. PVC pipe
4	LIGHTING OUTLET	1		SSL(78mtrs)	130	230	0.5652				20	50	2-3.5mmsq THHN wire + 3.5mmsq TW(G) in 25mm dia. PVC pipe
5	LIGHTING OUTLET	50		SWL(50)	300	230		1.30435			20	50	2-3.5mmsq THHN wire + 3.5mmsq TW(G) in 25mm dia. PVC pipe
6	LIGHTING OUTLET	7		LSL(7)	350	230			1.52174		20	50	2-3.5mmsq THHN wire + 3.5mmsq TW(G) in 25mm dia. PVC pipe
7	LIGHTING OUTLET	74		UL(74)	74	230	0.32174				20	50	2-3.5mmsq THHN wire + 3.5mmsq TW(G) in 25mm dia. PVC pipe
8	LIGHTING OUTLET	10		TL1(4),PLS(4),LC(2)	192	230		0.83478			20	50	2-3.5mmsq THHN wire + 3.5mmsq TW(G) in 25mm dia. PVC pipe
9	LIGHTING OUTLET	1		CC(1)	100	230			0.43478		20	50	2-3.5mmsq THHN wire + 3.5mmsq TW(G) in 25mm dia. PVC pipe
10	LIGHTING OUTLET	1		SL(60mtrs)	100	230	0.43478				20	50	2-3.5mmsq THHN wire + 3.5mmsq TW(G) in 25mm dia. PVC pipe
11	LIGHTING OUTLET	1		SL(60mtrs)	100	230					20	50	2-3.5mmsq THHN wire + 3.5mmsq TW(G) in 25mm dia. PVC pipe
12	LIGHTING OUTLET	1		SL(60mtrs)	100	230			0.43478		20	50	2-3.5mmsq THHN wire + 3.5mmsq TW(G) in 25mm dia. PVC pipe
13	LIGHTING OUTLET	1		SL(90mtrs)	150	230	0.65217				20	50	2-3.5mmsq THHN wire + 3.5mmsq TW(G) in 25mm dia. PVC pipe
14	LIGHTING OUTLET	1		SL(35mtrs)	50	230		0.21739			20	50	2-3.5mmsq THHN wire + 3.5mmsq TW(G) in 25mm dia. PVC pipe
15	LIGHTING OUTLET	36		SWL(36)	180	230			0.78261		20	50	2-3.5mmsq THHN wire + 3.5mmsq TW(G) in 25mm dia. PVC pipe
16	LIGHTING OUTLET	21		SWL(20), SL(21mtrs)	120	230	0.52174				20	50	2-3.5mmsq THHN wire + 3.5mmsq TW(G) in 25mm dia. PVC pipe
17	WEATHERPROOF OUTLET		6		1080	230		4.69565			30	50	2-5.5mmsq THHN wire + 3.5mmsq TW(G) in 25mm dia. PVC pipe
18	WEATHERPROOF OUTLET		4		720	230			3.13043		30	50	2-5.5mmsq THHN wire + 3.5mmsq TW(G) in 25mm dia. PVC pipe
19	WEATHERPROOF OUTLET		4		720	230	3.13043				30	50	2-5.5mmsq THHN wire + 3.5mmsq TW(G) in 25mm dia. PVC pipe
20	SPARE												
TOTAL					5103		7.1913 7.63478 6.92609						

LINE CURRENT COMPUTATION:
 = 7.6348 (0.9) (1.732) A
 = 11.9011 A

USE: 3-22mmsq THHN/THW + 8.0mmsq TW(G) copper wire in 32mm diameter
 PVC pipe Schedule 80

SERVICE PROTECTION:
 70A17/70AF, 3P 15 KAIC @ 240V, MCCB

FEEDER SIZE: ALLOWING 2% VOLTAGE DROP FROM TRANSFORMER TO LP

LEGEND	
○	DOWN LIGHT ROUND TYPE 7 WATTS
○-I	WALL MOUNTED LIGHT FITTING
⊠	CEILING LIGHTS WITH CRYSTAL SURFACE
○-○	TRACKLIGHT 2 LAMPS 12 WATTS
○-○-○	TRACKLIGHT 3 LAMPS 18 WATTS
⊕	LED CHANDELIER
⊞	STAIRCASE WALL LAMP
⊙	LED UNDERGROUND LIGHTS
⊗	CRYSTAL CHANDELIER
⊠⊠⊠⊠	STRIP LIGHT 24 WATTS/5METERS
Sab	TWO GANG LIGHT SWITCH
⊕	WEATHERPROOF OUTLET 2 GANG
S1	SPOTLIGHT 50 WATTS
Sabc	THREE GANG LIGHT SWITCH
⊠	EMERGENCY LIGHT
⊞	DISTRIBUTION BOARD

MDP

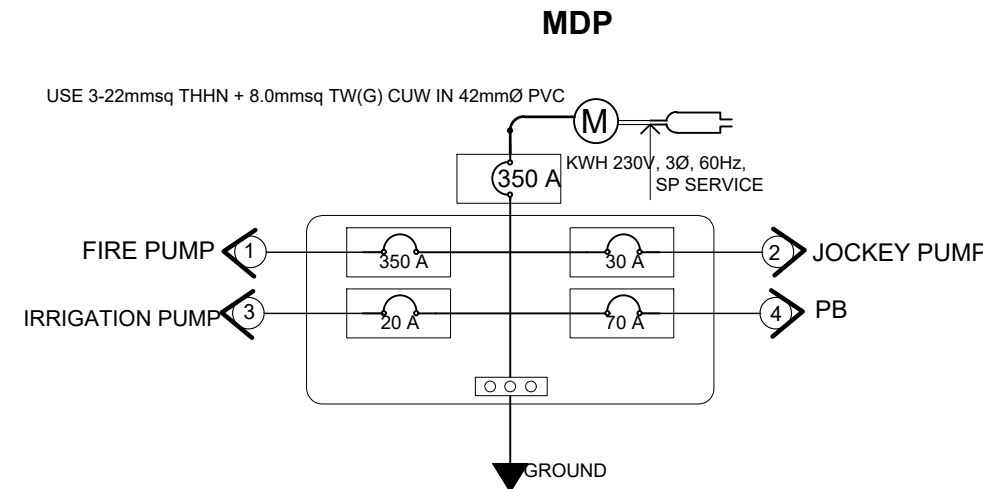
CKT.NO	LOAD DESCRIPTION	NO. OF OUTLETS		VOLT-AMPERE TOTAL (VA)	VOLTAGE (V)	PHASE LOAD			3Ø	PROTECTION-CB		CONDUCTORS AND CONDUITS
		LO	CO			AB	BC	CA		AT	AF	
1	FIRE PUMP 50HP			37300	230				170	350	350	3-50mmsq THHN + 1-22mmsq TW (G) in 50mm dia RSC
2	JOCKEY PUMP 1HP			746	230				3.375	30	50	3-5.5mmsq THHN + 1- 3.5mmsq TW(G) wire in 25mm dia. RSC
3	IRRIGATION PUMP 0.5HP			373	230				1.699	20	50	3-3.5mmsq THHN + 1-3.5mmsq TW(G) wire in 25mm dia. PVC pipe
4	PB1			4753	230				10.58	70	50	3-22mmsq THHN + 1-8.0mmsq TW(G) wire in 32mm dia. PVC pipe
TOTAL					43172		185.654					

FIRE PUMP COMPUTATION:
 $I = HP \times 746 / 1.732 \times 230V \times 0.8PF \times 0.9 EFF^Y$
 = 50HP x 746 / 1.732 x 230 x 0.8 x 0.9
 = 136 AMPERES FULL LOAD
 Iw = 136 x 125%
 = 170 AMPS

JOCKEY PUMP COMPUTATION
 $I = HP \times 746 / 1.732 \times 230V \times 0.8PF \times 0.9 EFF^Y$
 = 1HP x 746 / 1.732 x 230 x 0.8 x 0.9
 = 2.7 AMPERES FULL LOAD
 Iw = 2.7 x 125%
 = 3.375 AMPS

USE: 3- 50mmsq THHN + 1-22mmsq TW (G) copper wire in 50mm RSC pipe

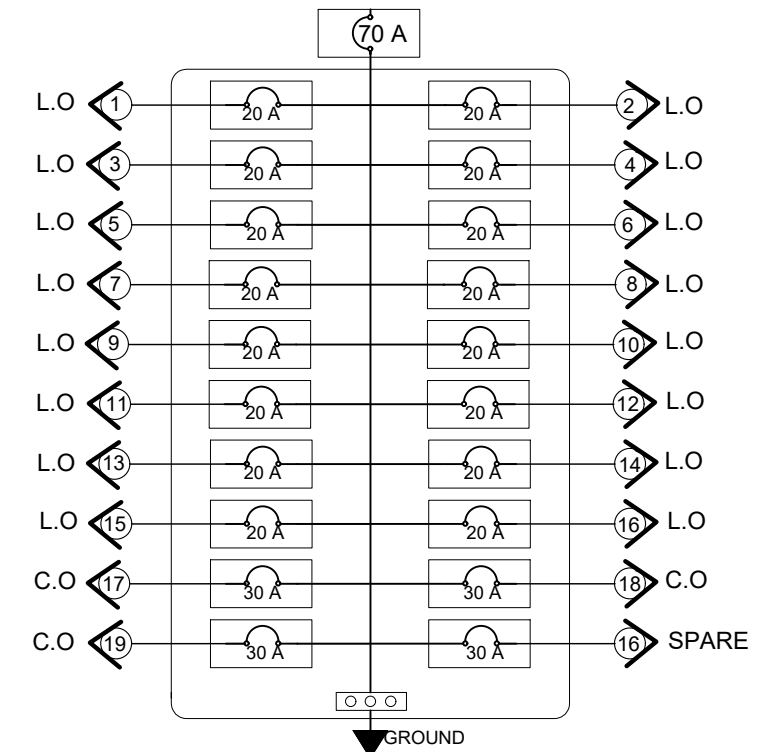
SERVICE PROTECTION:
 350AT/350AF, 3P 240V MCCB
 @ 200% FULL LOAD CURRENT



RISER DIAGRAM

PB

USE 3-22mmsq THHN + 8.0mmsq TW(G) CUW IN 42mmØ PVC



TIN : 382-717-370-000	Design & Seal	Project Title :	Checked by :	Noted by :	Approved by :	SHEET CONTENTS:	Designed by : ERIK	<div style="border: 1px solid black; border-radius: 50%; padding: 5px; display: inline-block;"> E18 19 SHEET NO. 56 66 </div>
PRC : 0068591	ERIC E. SAJULGA ELECTRICAL ENGINEER	"PROPOSED" (CENTENNIAL) TWO-STOREY LANDMARK PROJECT	ENGR. MARCELO T. ABRERA Jr. RFP/MD	Dr. DANIEL LESLIE S. TAN O/P/F	Dr. EDGARDO E. TULIN VSU PRESIDENT	SPECS	CAD by : ERIK	
PIR : -		LOCATION : ERG. PANGSUGAN, UPPER CAMPUS, VSU, BAYBAY CITY.				Date Started : Oct '22		
Date : -						Date Finished : Nov '22		
PL. ISS. : -						Revision : 6.20		

ELECTRICAL NOTES

1 - ALL ELECTRICAL WORKS SHALL COMPLY IN ACCORDANCE WITH THESE PLANS AND SPECIFICATIONS. THE APPLICABLE PROVISIONS OF THE LATEST EDITION OF THE PHILIPPINE ELECTRICAL CODE (PEC), THE RULES AND REGULATION OF THE LOCAL ENFORCING AUTHORITY AND THE REQUIREMENTS OF THE LOCAL POWER COMPANY. THE ELECTRICAL WORKS SHALL BE UNDER IMMEDIATE SUPERVISION OF A DULY REGISTERED ELECTRICAL ENGINEER.

2 - THE ELECTRICAL SERVICE POWER IS 1 - PHASE, 2 - WIRE, 220 V AC, 60Hz.

3 - WIRING METHOD SHALL BE AS FOLLOWS :

- | | |
|---|---|
| a. FEEDERS AND RISERS | - INTERMEDIATE METALLIC CONDUIT |
| b. LIGHTING, POWER RECEPTACLE
BRANCH CKT., & AUXILIARY | - POLYVINYL CHLORIDE CONDUIT
SCH. 40 |

4 - ALL WIRES SHALL BE COPPER AND THERMOPLASTIC INSULATED TYPE "THW" UNLESS OTHERWISE INDICATED IN THE PLAN. THE MINIMUM SIZE OF WIRE FOR POWER AND LIGHTING CIRCUIT HOMERUN SHALL BE 3.5mm AND INSULATED FOR 300 VOLTS. SMALLEST RACEWAY SHALL BE 15mm TRADE / NOMINAL SIZE.

5 - ALL OUTLET BOXES SHALL BE GALVANIZED GAGE No. 16 DEEP TYPE WITH FACTORY KNOCKOUTS.

6 - ALL MATERIALS TO BE USED SHALL BE BRAND NEW AND APPROVED TYPE FOR THE PARTICULAR LOCATION AND PURPOSE OF USAGE.

7 - GROUNDING SYSTEM SHALL BE PROVIDED TO ALL LIGHTING AND POWER CIRCUIT AS PER PHILIPPINE ELECTRICAL CODE REQUIREMENT.

8 - MOUNTING HEIGHT OF WIRING DEVICES SHALL BE AS FOLLOWS :

- | | |
|--------------------------------|-----------------------------------|
| a. LIGHT SWITCH | - 1.20 M. ABOVE FINISH FLOOR LINE |
| b. CONVENIENCE OUTLET | - 0.30 M. ABOVE FINISH FLOOR LINE |
| c. PANELBOARD | - 1.50 M. ABOVE FINISH FLOOR LINE |
| d. FIRE ALARM STATION OUTLET | - 1.50 M. ABOVE FINISH FLOOR LINE |
| e. PUSH BUTTON OUTLET | - 1.20 M. ABOVE FINISH FLOOR LINE |
| f. FIRE ALARM & VIBRATING BELL | - 0.30 M. BELOW CEILING LINE |

TIN : 382-717-370-000	Design & Seal	Project Title :	Checked by :	Noted by :	Approved by :	SHEET CONTENTS:	Designed by : ERIK	<table border="1"> <tr> <td>E19</td> <td>19</td> </tr> <tr> <td colspan="2">SHEET NO.</td> </tr> <tr> <td>57</td> <td>66</td> </tr> </table>	E19	19	SHEET NO.		57	66
E19	19													
SHEET NO.														
57	66													
PRC : 0068591	ERIC E. SAJULGA ELECTRICAL ENGINEER	"PROPOSED" (CENTENNIAL) TWO-STOREY LANDMARK PROJECT	ENGR. MARCELO T. ABRERA Jr.	Dr. DANIEL LESLIE S. TAN	Dr. EDGARDO E. TULIN	ELECTRICAL NOTES	CAD by : ERIK							
PIR : -		LOCATION : BRGY. PANGSUGAN, UPPER CAMPUS, VSU, BAYBAY CITY.	RFPMO	OMP	VSU PRESIDENT	Date Started : Oct '22								
Date : -						Date Finished : Nov '22								
PL. ISS. : -						Revision : 6.20								